

SECTION 13
Hot tap valve
Reduced bore

BROEN
BALLOMAX®

Designed to last

Hot tap valve - DN 20 - 100, PN 25

Type 68102 - Reduced bore

Welding × Welding

Fully welded steel ball valve.

Materials

See next page.

Applications

Hot tap valve for heating systems, district heating, cooling and industrial purpose.

Media

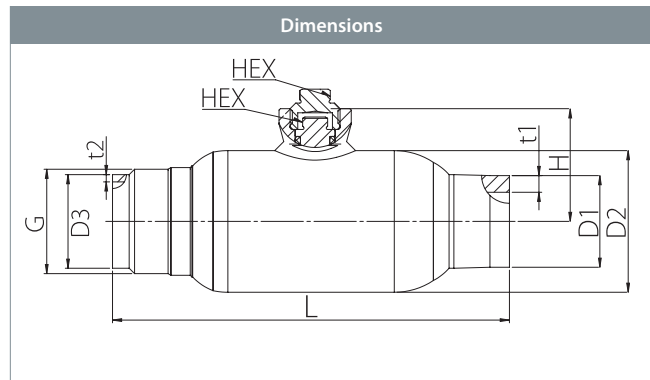
Water. Not suitable for steam. Other media on request. If in doubt, please contact BROEN BALLOMAX® Sales Department.

Operation

Hot tap valve with a cap screw and a hexagon recess for inserting an Allen key. The spindle has a notch for indication of position.

Notice

It is recommended that you read the "User manual for BROEN BALLOMAX® hot tap tool".



DN	BROEN No.	Bore	Kvs	net Weight kg	All dimensions in mm								
					HEX	L	H	t1	t2	D1	D2	D3	D4
20	68102020S746900	15	15	0,7	10	130	43,3	5,4	2,3	42,4	26,8	26,9	G7/8"
25	68102025S747000	20	27	1,2	10	143	47,6	6,0	2,6	51,0	33,0	33,7	G1 1/8"
32	68102032S747100	25	40	1,6	10	150	51,3	6,0	2,6	57,0	38,0	42,4	G1 1/2"
40	68102040S747200	32	69	2,5	10	188	61,2	6,9	2,6	76,1	47,8	48,3	G1 3/4"
50	68102050S747300	39	110	3,9	10	230	66,5	7,0	2,9	88,9	56,0	60,3	G2 1/4"
65	68102065S747400	49	180	6,9	13	271	77,0	7,5	2,9	108,0	64,0	76,1	M80x3/M64x2
80	68102080S747500	63	288	8,2	13	260	87,6	8,0	3,2	127,0	80,5	88,9	M95x3/M76x2
100	68102100S747600	78	470	13,3	19	284	103,1	9,0	3,6	152,4	97,0	114,3	M120x3/M95x2

Hot tap valve - DN 20 - 100, PN 25

Type 68102 - Reduced bore



Technical drawing		Material description	
	1	Welding	Steel - P235GH / 1.0345 / EN 10217-2
	5	Valve body	Steel - P235GH / 1.0345 / EN 10217-2
	6	Ball	Stainless steel - AISI304L / 1.4306 / EN 10217-7
	7	Seat ring	PTFE 20% Carbon
	8	Back-up ring	Steel - DC01 / 1.0330 / EN 10130
	9	Disc spring	Steel - C75S / 1.1248 / EN 10132-4
	11	Stem guide	Steel - S355J2+N / 1.0570 / EN 10025-2
	12	Stem	Stainless steel - ASTM420 / 1.4021 / EN 10088-3
	17	O-ring	FPM70
	37	Pipe plug	Steel - S355J2+N / 1.0570 / EN 10025-2

