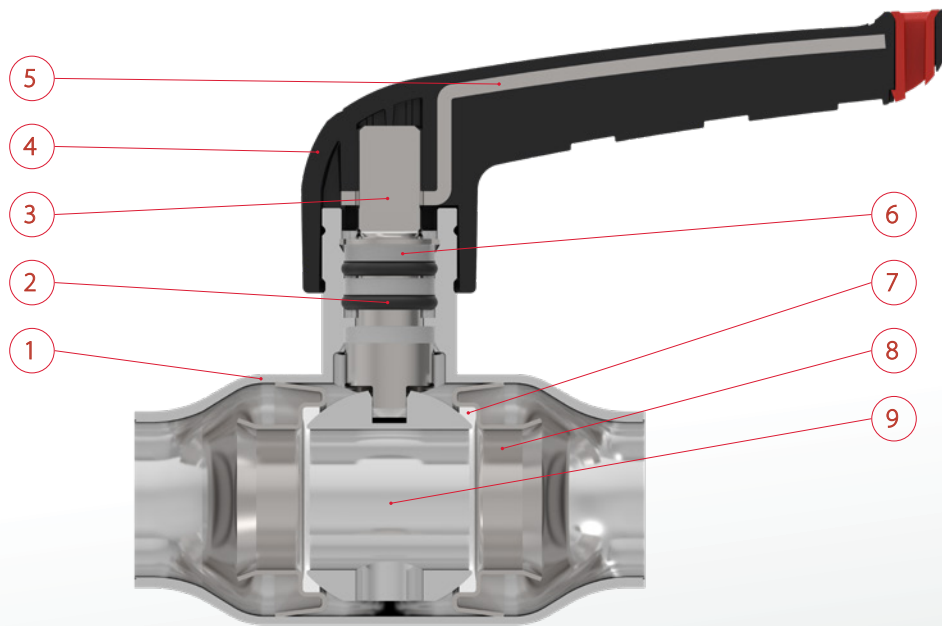


BROEN FULL FLOW DN10-50 | GALVANIZED STEEL

Technical data

Material, valve housing:	P235GH in accordance with EN 10217-2
Material, handle:	PA66 - fiberglass-reinforced nylon with metal insert
Sizes:	DN10-50
Seals:	PTFE*
O-rings:	EPDM**
Connections:	Press, female, male and swivel nut
Leakage protection:	LBP - Leak Before Press
Medium:	Water
Operating pressure:	Max. 16 bars
Operating temperature:	-35°C to +135°C
Press tools:	Only approved press machines with M-jaws or slings, in accordance with published tool list
Heat expansion coefficient:	0.0108 mm per mtr. $\Delta T = 1k$

* Ethylene Propylene Diene Monomer ** Polytetrafluorethylene



No.	Component	Material	Standard
1	Valve housing	Galvanized steel - P235GH	EN 10217-2
2	O-ring	EPDM	
3	Stem	Stainless steel	EN 1.4401
4	Handle	Fiberglass-reinforced nylon	PA66
5	Metal reinforcement	Galvanized steel	

No.	Component	Material	Standard
6	Friction ring	PTFE	
7	Seal	PTFE	
8	Spring support ring	Stainless steel	EN 1.4401
9	Ball	Nickel plated brass	CW617N

Note: Threads in accordance with ISO 228/1

Our brand is our promise

BROEN
VALVE TECHNOLOGIES

BROEN VALVE TECHNOLOGIES

BROEN is a leading international manufacturer of valve technology and we operate on three continents across the world with key markets in Russia, Europe, China and USA.

For more than 70 years BROEN has been the global leader in the development and production of valve technology for the control of water, air and gas. BROEN delivers complete solutions for HVAC building installations and is a leading supplier of district energy valves and valve technology for natural gas.

We know application and valve technology in depth and in close dialogue with our customers and partners all over the world we create value and reliability with proven valves offering full quality assurance.

BROEN is headquartered in Assens, Denmark and is part of Aalberts N.V. listed on the EuroNext Stock Exchange (NL).

Read more at: www.broen.com

Sales- and productions sites ●

BROEN A/S, Assens (DK)
BROEN POLAND, Dzierżoniów (PL)
BROEN POLAND, Rogoźno (PL)
BROEN LLC, Kolomna (RU)
BROEN INC., Houston (US)
BROEN Clorius, Dzierżoniów (PL)

Sales companies and offices ○

BROEN Assens (DK)
BROEN Helsinki (FI)
BROEN SEI, Bucharest (RO)
BROEN Beijing (CN)
BROEN Moscow (RU)
BROEN Clorius, Shanghai (CN)



For further information,
scan this QR code or visit
www.broen.com