



BALLOMAX[®]

DESIGNED TO LAST



SECTION 16

Underground valves - EN 488

Reduced bore

Steel ball valve, High stress - DN25-100, PN25

Type 67102 - Reduced bore

Welding × Welding

Fully welded steel ball valve for underground service acc. to EN488.

Materials

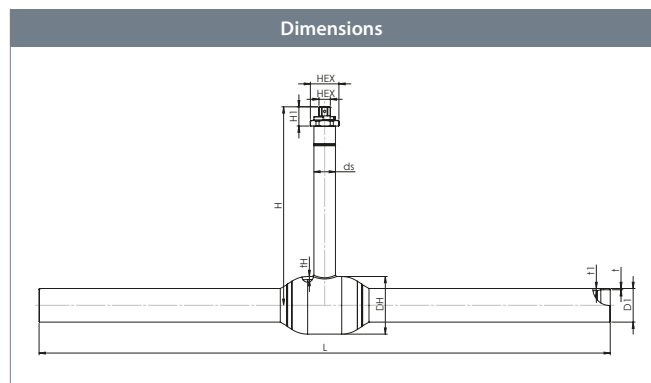
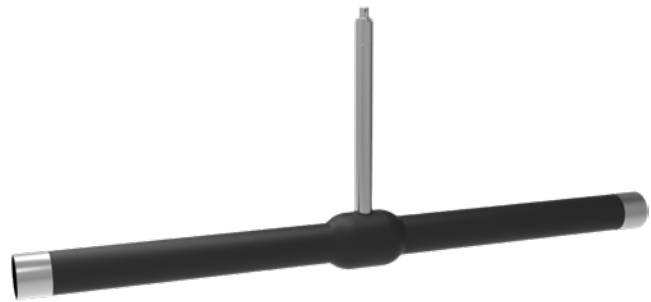
See next page.

Applications

Isolating valve for heating systems, district heating, cooling and industrial purposes.

Media

Water, air and other media not decomposing the steel. If in doubt, please contact BROEN Ballomax® Sales Department.



DN	BROEN No.	Bore	Kvs	net Weight kg	All dimensions in mm									
					L	H	H1	D1	t	t1	DH	tH	ds	HEX
25	67102025S696800	20	27	5.6	1510	480.0	29.0	33.7	2.6	4.0	51.0	5.0	38.0	19.0
32	67102032S696900	25	40	6.7	1510	485.0	29.0	42.4	3.2	4.0	57.0	5.6	38.0	19.0
40	67102040S697000	32	69	12.7	1510	495.0	29.0	48.3	3.2	5.6	76.1	5.6	38.0	19.0
50	67102050S697100	40	110	14.3	1510	500.0	29.0	60.3	3.2	5.0	88.9	6.3	38.0	19.0
65	67102065S697200	50	180	19.0	1510	505.0	29.0	76.1	3.2	5.0	108.0	6.3	38.0	19.0
80	67102080S604000	65	288	25.5	1510	515.0	29.0	88.9	3.2	5.6	127.0	7.1	38.0	19.0
100	67102100S604100	80	470	37.0	1510	525.0	29.0	114.3	3.6	6.3	152.4	8.0	57.0	27/70

Steel ball valve, High stress - DN25-100, PN25

Type 67102 - Reduced bore

Technical drawing	Material description		
	1	Welding	Steel - P235GH / 1.0345 / EN 10217-2
	5	Valve body	Steel - P235GH / 1.0345 / EN 10217-2
	6	Ball	Stainless steel - AISI 304L / 1.4306 / EN 10217-7
	7	Seat ring	PTFE 20% Carbon
	8	Back-up ring	Steel - DC01 / 1.0330 / EN 10130
	9	Disc spring	Steel - C75S / 1.1248 / EN 10132-4
	15	O-ring	Rubber - EPDM70
	16	Back-up ring	PTFE 20% Carbon
	54	Flowguides	Steel
	55	Stem guide	Stainless steel - AISI 304L / 1.4307 / EN 10217-7
	56	Stem stop	Stainless steel - AISI 304L / 1.4307 / EN 10217-7
	57	Intermediate ring	Stainless steel - AISI 303 / 1.4305 / EN 10088-3
	58	Stop pin	Stainless steel - AISI 303 / 1.4305 / EN 10088-3
59	Bearing	Gunmetal	

Steel ball valve, High stress - DN125-350, PN25

Type 67102 / 87042 - Reduced bore

Welding × Welding

Fully welded steel ball valve for underground service acc. to EN488.

Materials

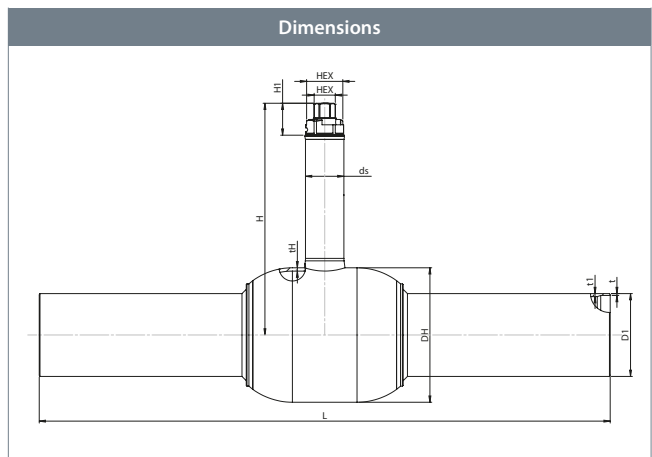
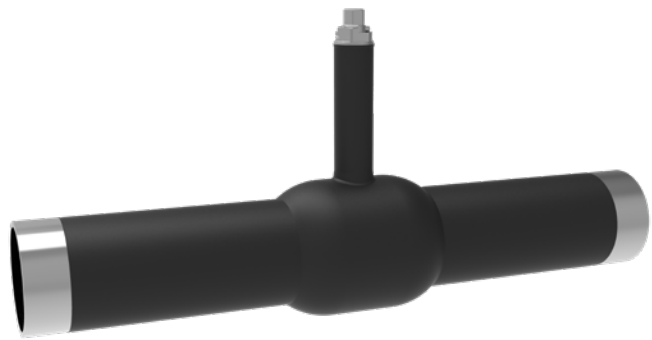
See next page.

Applications

Isolating valve for heating systems, district heating, cooling and industrial purposes.

Media

Water, air and other media not decomposing the steel. If in doubt, please contact BROEN Ballomax® Sales Department.



DN	BROEN No.	Bore	Kvs	net Weight kg	All dimensions in mm									
					L	H	H1	D1	t	t1	DH	tH	ds	HEX
125	67102125S604200	100	699	45.0	1510	545.0	63.0	139.7	3.6	6.3	177.8	8.0	76.1	27/70
150	67102150S604300	125	1046	65.0	1510	565.0	63.0	168.3	4.0	7.1	219.1	8.0	76.1	27/70
200	67102200S604400	150	1500	99.0	1510	586.0	88.0	219.1	4.5	8.0	267.0	8.8	76.1	50/90
250	8704225250 070	200	3200	133.2	1510	560.0	84.5	273.0	5.0	8.0	355.6	8.8	101.6	50/90
300	8704225300 070	250	4700	215.3	1810	610.0	84.5	323.9	5.6	8.8	457.0	10.0	101.6	50/90
350	8704225350 070	250	5500	222.7	1810	610.0	84.5	355.6	5.6	8.8	457.0	10.0	101.6	50/90

Steel ball valve, High stress - DN125-350, PN25

Type 67102 / 87042 - Reduced bore



Technical drawing		Material description	
	1	Welding	Steel - P235GH / 1.0345 / EN 10217-2
	5	Valve body	Steel - P235GH / 1.0345 / EN 10217-2
	6	Ball	Stainless steel - AISI 304L / 1.4306 / EN 10217-7
	7	Seat ring	PTFE 20% Carbon
	15	O-ring	Rubber - EPDM70
	16	Back-up ring	PTFE 20% Carbon
	27	O-ring	Rubber - EPDM70
	51	Bottom end	Steel - S355J2H / EN 10210
	52	Back-up ring	Steel - S355J2H / EN 10210
	53	Springs	Stainless steel - AISI 304 / 1.4301 / EN 10088-3
	55	Stem guide	Stainless steel - AISI 304L / 1.4307 / EN 10217-7
	56	Stem stop	Stainless steel - AISI 304L / 1.4307 / EN 10217-7
	57	Intermediate ring	Stainless steel - AISI 303 / 1.4305 / EN 10088-3
	58	Stop pin	Stainless steel - AISI 303 / 1.4305 / EN 10088-3
59	Bearing	Gunmetal	
60	Stem top	Stainless steel - AISI 303 / 1.4307 / EN 10217-7	

Steel ball valve, High stress - DN250-500, PN25

Type 67102 / 87042 - Reduced bore

Welding × Welding

Fully welded steel ball valve for underground service acc. to EN488.

Materials

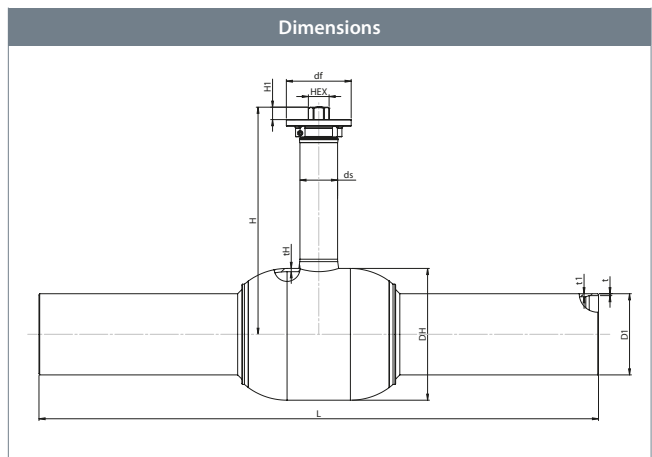
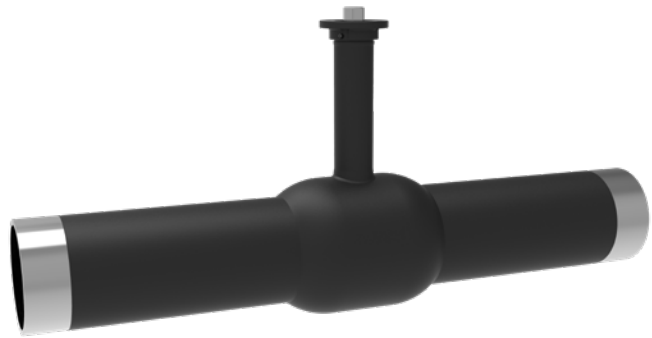
See next page.

Applications

Isolating valve for heating systems, district heating, cooling and industrial purposes.

Media

Water, air and other media not decomposing the steel. If in doubt, please contact BROEN Ballomax® Sales Department.



DN	BROEN No.	Bore	Kvs	net Weight kg	All dimensions in mm										HEX	ISO
					L	H	H1	D1	t	t1	DH	tH	ds			
125	67102125S707200	100	699	45.0	1510	545.0	49.0	139.7	3.6	6.3	177.8	8.0	76.1	Ø30	F10	
150	67102150S707300	125	1046	59.0	1510	526.0	49.0	168.3	4.0	7.1	219.1	8.0	76.1	Ø30	F10	
200	67102200S707400	150	1500	95.0	1510	559.5	67.0	219.1	4.5	8.0	267.0	8.8	76.1	Ø30	F12	
250	8704225250 300	200	3200	133.0	1510	560.0	33.5	273.0	5.0	8.0	355.6	8.8	101.6	HEX50	F14	
300	8704225300 300	250	4700	213.0	1810	664.0	32.5	323.9	5.6	8.8	457.0	10.0	101.6	HEX50	F16	
350	8704225350 300	250	5500	226.0	1810	664.0	32.5	355.6	5.6	8.0	457.0	10.0	101.6	HEX50	F16	
400	8704225400 300	300	10600	343.6	1810	887.2	99.2	406.4	6.3	10.0	508.0	12.5	133.0	Ø60	F16	
500	8704225500 300	400	18150	442.4	1125	926.0	109.0	508.0	6.3	11.0	660.0	12.5	219.1	Ø80	F30	

Steel ball valve, High stress - DN250-500, PN25

Type 67102 / 87042 - Reduced bore

Technical drawing		Material description	
	1	Welding	Steel - P235GH / 1.0345 / EN 10217-2
	5	Valve body	Steel - P235GH / 1.0345 / EN 10217-2
	6	Ball	Stainless steel - AISI 304L / 1.4306 / EN 10217-7
	7	Seat ring	PTFE 20% Carbon
	15	O-ring	Rubber - EPDM70
	16	Back-up ring	PTFE 20% Carbon
	27	O-ring	Rubber - EPDM70
	51	Bottom end	Steel - S355J2H / EN 10210
	52	Back-up ring	Steel - S355J2H / EN 10210
	53	Springs	Stainless steel - AISI 304 / 1.4301 / EN 10088-3
	55	Stem guide	Stainless steel - AISI 304L / 1.4307 / EN 10217-7
	56	Stem stop	Stainless steel - AISI 304L / 1.4307 / EN 10217-7
	57	Intermediate ring	Stainless steel - AISI 303 / 1.4305 / EN 10088-3
	58	Stop pin	Stainless steel - AISI 303 / 1.4305 / EN10088-3
59	Bearing	Gunmetal	
60	Stem top	Stainless steel - AISI 303 / 1.4307 / EN 10217-7	

Steel ball valve, High stress, Pre-insulated, class 1 - DN25-400, PN25

Type 67102 / 87042 - Reduced bore

Welding × Welding

Pre-insulated fully welded steel ball valve for underground service acc. to EN488.

Materials

See page 16.1 - 2.

Applications

Isolating valve for heating systems, district heating, cooling and industrial purposes.

Media

Water, air and other media not decomposing the steel. If in doubt, please contact BROEN Ballomax® Sales Department.

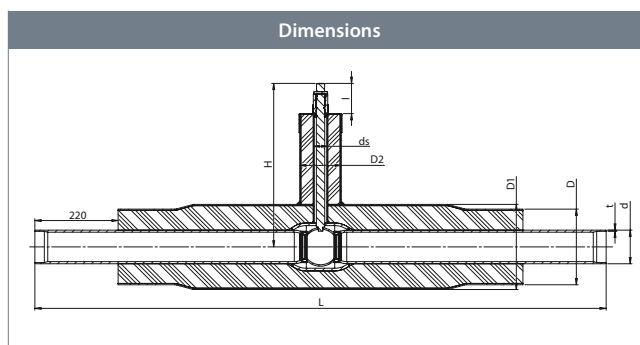
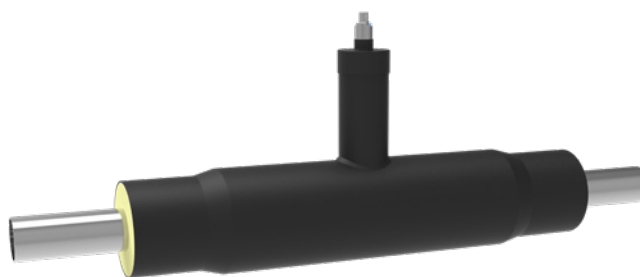
Operation

The following operating devices are available to order:

- Universal allen key
- Mobile actuator for DN100-350
- Planetary gear for DN100-400

Approvals and certificates

BROEN is certified according to ISO 9001 and environmentally certified according to ISO 14001. BROEN Ballomax® is approved according to the requirements of Pressure Equipment Directive (PED). All ball valves as from DN40 are CE-marked. The 3.1 certificate is available upon request.



Notice

Valves operated with gear for DN100-400. All pre-insulated ball valves are delivered with alarm wire. Outlet for alarm available on request.







DN	BROEN No.	Bore	Kvs	net Weight kg	All dimensions in mm									
					L	H	d	t	D	D1	D2	ds	l	Hx
25	67102025 0080	20	27	10	1510	480	33.7	2.6	90	125	110	38.0	80	19
32	67102032 0080	25	40	12	1510	485	42.4	2.6	110	140	110	38.0	80	19
40	67102040 0080	32	69	17	1510	493	48.3	2.6	110	140	110	38.0	87	19
50	67102050 0080	40	110	20	1510	500	60.3	2.9	125	160	110	38.0	87	19
65	67102065 0080	50	180	24	1510	423	76.1	2.9	160	200	110	38.0	78	19
80	67102080 0080	65	288	30	1510	432	88.9	3.2	160	200	110	38.0	80	19
100*	67102100 0080	80	470	44	1510	451	114.3	3.6	200	250	125	57.0	85	27/70
125*	67102125 0080	100	699	57	1510	491	139.7	3.6	225	280	125	76.0	103	27/70
150*	67102150 0080	125	1046	84	1510	565	168.3	4.0	250	315	125	76.0	157	27/70
200**	67102200 0780	150	1500	123	1510	563	219.1	4.5	315	400	125	76.0	132	50/90
250**	8704225250 0780	200	3200	202	1510	613	273.0	5.0	400	500	160	101.6	138	50/90
300**	8704225300 0780	250	4700	320	1810	664	323.9	5.6	450	560	160	101.6	140	50/90
350**	8704225350 0780	250	5500	-	1810	664	355.6	5.6	500	630	160	101.6	140	50/90
400**	8704225400 0780	305	10600	-	1810	793	406.4	6.3	560	710	225	133.0	190	Ø60

Valves *can / **should be operated with gearbox.

Steel ball valve, High stress, Pre-insulated, class 1 - DN25-400, PN25



Type 67102 / 87042 - Reduced bore

Accessories	BROEN No.	Dimension	Description
	3723S60		Universal allen key for both isolating and service valves.
	66361100 060	DN100-150	BROEN-Gear - Mobile actuator.
	66361250 070	DN200-350	
	66062020S314200 (0,5 m)	DN25-80	Flex extender - Steel + PVC protection tube - also available in 1,0 mtr and 2,0 mtr - see accessories, can be shortened as needed.
	66062020S314300 (0,5 m)	DN80-125	
	66062150S314000 (0,5 m)	DN100-150	Flex extender - Steel + Stainless steel protection tube - also available in 1,0 mtr and 2,0 mtr - see accessories, can be shortened as needed.
	66062250S314000 (0,5 m)	DN200-350	
	1897S02	DN20-80	Square adaptor plug for mounting on hexagon.
	1903S02	DN100-150	
	500249	DN100-150	BROEN-Gear - Planetary gear.
	3/PP06001KS02	DN200-350	
	3/PP05002KS02	DN400	

Steel ball valve, High stress, Pre-insulated, class 1, 1 Service valve - DN25-400, PN25

Type 67102 / 87042 - Reduced bore

Welding × Welding

Pre-insulated fully welded steel ball valve for underground service acc. to EN488, with one DN40 service valve.

Materials

See page 16.1 - 2.

Applications

Isolating valve for heating systems, district heating, cooling and industrial purposes.

Media

Water, air and other media not decomposing the steel. If in doubt, please contact BROEN Ballomax® Sales Department.

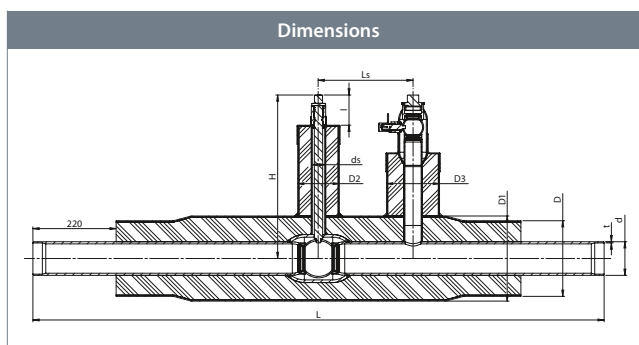
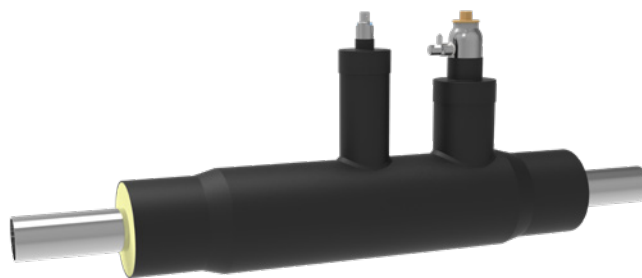
Operation

The following operating devices are available to order:

- Universal allen key
- Mobile actuator for DN100-350
- Planetary gear for DN100-400

Approvals and certificates

BROEN is certified according to ISO 9001 and environmentally certified according to ISO 14001. BROEN Ballomax® is approved according to the requirements of Pressure Equipment Directive (PED). The 3.1 certificate is available upon request.



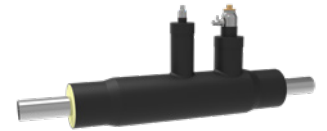
Notice

Valves operated with gear for DN100-400. All pre-insulated ball valves are delivered with alarm wire. Outlet for alarm available on request.







DN	BROEN No.	Bore	Kvs	net Weight kg	All dimensions in mm											
					L	H	d	t	D	D1	D2	D3	ds	l	Ls	Hx
25*	67102025 0081	20	27	10	1510	480	33.7	2.6	90	125	110	110	38.0	80	250	19
32*	67102032 0081	25	40	12	1510	485	42.4	2.6	110	140	110	110	38.0	80	250	19
40	67102040 0081	32	69	20	1510	493	48.3	2.6	110	140	110	140	38.0	80	250	19
50	67102050 0081	40	110	23	1510	500	60.3	2.9	125	160	110	125	38.0	80	250	19
65	67102065 0081	50	180	27	1510	423	76.1	2.9	160	200	110	140	38.0	80	250	19
80	67102080 0081	65	288	33	1510	432	88.9	3.2	160	200	110	140	38.0	80	250	19
100**	67102100 0081	80	470	48	1510	451	114.3	3.6	200	250	125	140	57.0	85	250	27/70
125**	67102125 0081	100	699	60	1510	491	139.7	3.6	225	280	125	140	76.0	103	250	27/70
150**	67102150 0081	125	1046	87	1510	565	168.3	4.0	250	315	125	140	76.0	105	-	27/70
200***	67102200 0781	150	1500	125	1510	585	219.1	4.5	315	400	125	140	76.0	130	-	50/90
250***	8704225250 0781	200	3200	204	1510	613	273.0	5.0	400	500	160	140	101.6	138	245	50/90
300***	8704225300 0781	250	4700	323	1810	664	323.9	5.6	450	560	160	140	101.6	140	295	50/90
350***	8704225350 0781	250	5500	-	1810	664	355.6	5.6	500	630	160	140	101.6	140	300	50/90
400***	8704225400 0781	305	10600	-	1810	793	406.4	6.3	560	710	225	140	133.0	190	350	Ø60

* Delivered with one DN25 service valve (Ø33,7). Vales *can / **should be operated with gearbox.

Steel ball valve, High stress, Pre-insulated, class 1, 1 Service valve - DN25-400, PN25



Type 67102 / 87042 - Reduced bore

Accessories	BROEN No.	Dimension	Description
	3723S60		Universal allen key for both isolating and service valves.
	66361100 060	DN100-150	BROEN-Gear - Mobile actuator.
	66361250 070	DN200-350	
	66062020S314200 (0,5 m)	DN25-80	Flex extender - Steel + PVC proction tube - also available in 1,0 mtr and 2,0 mtr - see accessories, can be shortened as needed.
	66062020S314300 (0,5 m)	DN80-125	
	66062150S314000 (0,5 m)	DN100-150	Flex extender - Steel + Stainless steel proction tube - also available in 1,0 mtr and 2,0 mtr - see accessories, can be shortened as needed.
	66062250S314000 (0,5 m)	DN200-350	
	1897S02	DN20-80	Square adaptor plug for mounting on hexagon.
	1903S02	DN100-150	
	500249	DN100-150	BROEN-Gear - Planetary gear.
	3/PP06001KS02	DN200-350	
	3/PP05002KS02	DN400	

Steel ball valve, High stress, Pre-insulated, class 1, 2 Service valves - DN25-400, PN25

Type 67102 / 87042 - Reduced bore

Welding × Welding

Pre-insulated fully welded steel ball valve for underground service acc. to EN488, with two DN40 service valves.

Materials

See page 16.1 - 2.

Applications

Isolating valve for heating systems, district heating, cooling and industrial purposes.

Media

Water, air and other media not decomposing the steel. If in doubt, please contact BROEN Ballomax® Sales Department.

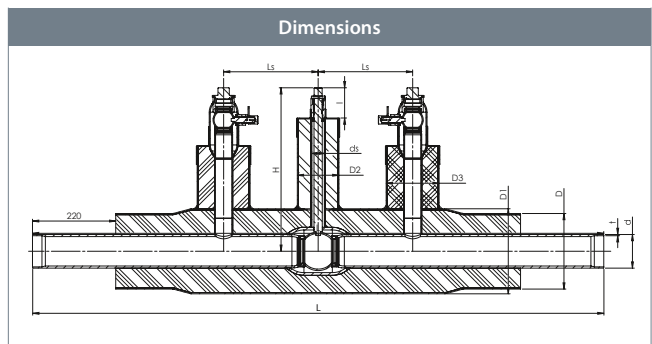
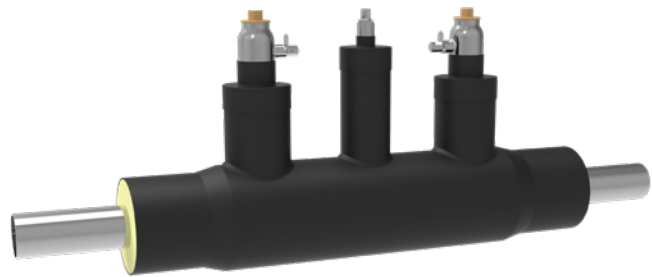
Operation

The following operating devices are available to order:

- Universal allen key
- Mobile actuator for DN100-350
- Planetary gear for DN100-400

Approvals and certificates

BROEN is certified according to ISO 9001 and environmentally certified according to ISO 14001. BROEN Ballomax® is approved according to the requirements of Pressure Equipment Directive (PED). The 3.1 certificate is available upon request.



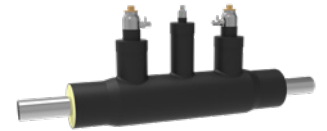
Notice

Valves operated with gear for DN100-400. All pre-insulated ball valves are delivered with alarm wire. Outlet for alarm available on request.





DN	BROEN No.	Bore	Kvs	net Weight kg	All dimensions in mm											
					L	H	d	t	D	D1	D2	D3	ds	l	Ls	Hx
25*	67102025 0082	20	27	10	1510	480	33,7	2,6	90	125	110	110	38,0	80	250	19
32*	67102032 0082	25	40	12	1510	485	42,4	2,6	110	140	110	110	38,0	80	250	19
40	67102040 0082	32	69	20	1510	493	48,3	2,6	110	140	110	140	38,0	80	250	19
50	67102050 0082	40	110	23	1510	500	60,3	2,9	125	160	110	140	38,0	80	250	19
65	67102065 0082	50	180	27	1510	505	76,1	2,9	160	200	110	140	38,0	80	250	19
80	67102080 0082	65	288	33	1510	515	88,9	3,2	160	200	110	140	38,0	80	250	19
100**	67102100 0082	80	470	48	1510	525	114,3	3,6	200	250	125	140	57,0	85	250	27/70
125**	67102125 0082	100	699	60	1510	545	139,7	3,6	225	280	125	140	76,0	105	250	27/70
150**	67102150 0082	125	1046	87	1510	565	168,3	4,0	250	315	125	140	76,0	105	-	27/70
200***	67102200 0782	150	1500	125	1510	585	219,1	4,5	315	400	125	140	76,0	130	-	50/90
250***	8704225250 0782	200	3200	204	1510	613	273,0	5,0	400	500	160	140	101,6	138	245	50/90
300***	8704225300 0782	250	4700	323	1810	664	323,9	5,6	450	560	160	140	101,6	140	295	50/90
350***	8704225350 0782	250	5500	-	1810	664	355,6	5,6	500	630	160	140	101,6	140	300	50/90
400***	8704225400 0782	305	10600	-	1810	793	406,4	6,3	560	710	225	140	133,0	190	350	Ø60

* Delivered with two DN25 service valves (Ø33,7). Vales *can / **should be operated with gearbox.

Steel ball valve, High stress, Pre-insulated, class 1, 2 Service valves - DN25-400, PN25



Type 67102 / 87042 - Reduced bore

Accessories	BROEN No.	Dimension	Description
	3723S60		Universal allen key for both isolating and service valves.
	66361100 060	DN100-150	BROEN-Gear - Mobile actuator.
	66361250 070	DN200-350	
	66062020S314200 (0,5 m)	DN25-80	Flex extender - Steel + PVC protection tube - also available in 1,0 mtr and 2,0 mtr - see accessories, can be shortened as needed.
	66062020S314300 (0,5 m)	DN80-125	
	66062150S314000 (0,5 m)	DN100-150	Flex extender - Steel + Stainless steel protection tube - also available in 1,0 mtr and 2,0 mtr - see accessories, can be shortened as needed.
	66062250S314000 (0,5 m)	DN200-350	
	1897S02	DN20-80	Square adaptor plug for mounting on hexagon.
	1903S02	DN100-150	
	500249	DN100-150	BROEN-Gear - Planetary gear.
	3/PP06001KS02	DN200-350	
	3/PP05002KS02	DN400	

Steel ball valve, High stress, Pre-insulated, class 1 - DN150-500, PN25

Type - Reduced bore

Welding × Welding with ISO-flange

Pre-insulated fully welded steel ball valve for underground service acc. to EN488.

Materials

See page 16.1 - 2.

Applications

Isolating valve for heating systems, district heating, cooling and industrial purposes.

Media

Water, air and other media not decomposing the steel. If in doubt, please contact BROEN Ballomax® Sales Department.

Operation

The following operating devices are available to order:

- Bevel gear (square)
- Telescopic extender for Bevel gear, only for square
- Bevel gear (HEX)

Approvals and certificates

BROEN is certified according to ISO 9001 and environmentally certified according to ISO 14001. BROEN Ballomax® is approved according to the requirements of Pressure Equipment Directive (PED). All ball valves as from DN40 are CE-marked. The 3.1 certificate is available upon request.

Notice

Valves operated with gear, see accessories. All pre-insulated ball valves are delivered with alarm wire. Outlet for alarm available on request.

DN	BROEN No.	Bore	Kvs	net Weight kg	All dimensions in mm									
					L	H	d	t	D	D1	D2	ds	l	Hx
150	On request													
200	On request													
250	On request													
300	On request													
350	On request													
400	On request													
500	On request													

Steel ball valve, High stress, Pre-insulated, class 1 - DN150-500, PN25

Type - Reduced bore

Accessories	BROEN No.	Dimension	Description
	600651	DN200	BROEN-Gear - Bevel gear (square).
	600652	DN250	
	600653	DN300-350	
	600654	DN400	
	600655	DN500	
	500114 (L=500-850 cm)	DN200-500	BROEN telescopic extender for Bevel gear, only for square.
	500115 (L=851-1500 cm)	DN200-500	
	500152 (L=1501-2500 cm)	DN200-500	
	600591	DN200	BROEN-Gear - Bevel gear (HEX).
	600592	DN250	
	600593	DN300-350	
	600594	DN400	
	600595	DN500	

Steel ball valve, High stress, Pre-insulated, class 1, 1 Service valve - DN150-500, PN25

Type - Reduced bore

Welding × Welding with ISO-flange

Pre-insulated fully welded steel ball valve for underground service acc. to EN488, with one DN40 service valve.

Materials

See page 16.1 - 2.

Applications

Isolating valve for heating systems, district heating, cooling and industrial purposes.

Media

Water, air and other media not decomposing the steel. If in doubt, please contact BROEN Ballomax® Sales Department.

Operation

The following operating devices are available to order:

- Bevel gear (square)
- Telescopic extender for Bevel gear, only for square
- Bevel gear (HEX)

Approvals and certificates

BROEN is certified according to ISO 9001 and environmentally certified according to ISO 14001. BROEN Ballomax® is approved according to the requirements of Pressure Equipment Directive (PED). The 3.1 certificate is available upon request.

Notice

Valves operated with gear, see accessories. All pre-insulated ball valves are delivered with alarm wire. Outlet for alarm available on request.

DN	BROEN No.	Bore	Kvs	net Weight kg	All dimensions in mm											
					L	H	d	t	D	D1	D2	D3	ds	l	Ls	Hx
150	On request															
200	On request															
250	On request															
300	On request															
350	On request															
400	On request															
500	On request															

Steel ball valve, High stress, Pre-insulated, class 1, 1 Service valve - DN150-500, PN25

Type - Reduced bore

Accessories	BROEN No.	Dimension	Description
	600651	DN200	BROEN-Gear - Bevel gear (square).
	600652	DN250	
	600653	DN300-350	
	600654	DN400	
	600655	DN500	
	500114 (L=500-850 cm)	DN200-500	BROEN telescopic extender for Bevel gear, only for square.
	500115 (L=851-1500 cm)	DN200-500	
	500152 (L=1501-2500 cm)	DN200-500	
	600591	DN200	BROEN-Gear - Bevel gear (HEX).
	600592	DN250	
	600593	DN300-350	
	600594	DN400	
	600595	DN500	

Steel ball valve, High stress, Pre-insulated, class 1, 2 Service valves - DN150-500, PN25

Type - Reduced bore

Welding × Welding with ISO-flange

Pre-insulated fully welded steel ball valve for underground service acc. to EN488, with two DN40 service valves.

Materials

See page 16.1 - 2.

Applications

Isolating valve for heating systems, district heating, cooling and industrial purposes.

Media

Water, air and other media not decomposing the steel. If in doubt, please contact BROEN Ballomax® Sales Department.

Operation

The following operating devices are available to order:

- Bevel gear (square)
- Telescopic extender for Bevel gear, only for square
- Bevel gear (HEX)

Approvals and certificates

BROEN is certified according to ISO 9001 and environmentally certified according to ISO 14001. BROEN Ballomax® is approved according to the requirements of Pressure Equipment Directive (PED). The 3.1 certificate is available upon request.

Notice

Valves operated with gear, see accessories. All pre-insulated ball valves are delivered with alarm wire. Outlet for alarm available on request.

DN	BROEN No.	Bore	Kvs	net Weight kg	All dimensions in mm											
					L	H	d	t	D	D1	D2	D3	ds	l	Ls	Hx
150	On request															
200	On request															
250	On request															
300	On request															
350	On request															
400	On request															
500	On request															

Steel ball valve, High stress, Pre-insulated, class 1, 2 Service valves - DN150-500, PN25

Type - Reduced bore

Accessories	BROEN No.	Dimension	Description
	600651	DN200	BROEN-Gear - Bevel gear (square).
	600652	DN250	
	600653	DN300-350	
	600654	DN400	
	600655	DN500	
	500114 (L=500-850 cm)	DN200-500	BROEN telescopic extender for Bevel gear, only for square.
	500115 (L=851-1500 cm)	DN200-500	
	500152 (L=1501-2500 cm)	DN200-500	
	600591	DN200	BROEN-Gear - Bevel gear (HEX).
	600592	DN250	
	600593	DN300-350	
	600594	DN400	
	600595	DN500	

Steel ball valve, High stress, Pre-insulated, class 2 - DN25-400, PN25

Type 67102 / 87042 - Reduced bore

Welding × Welding

Pre-insulated fully welded steel ball valve for underground service acc. to EN488.

Materials

See page 16.1 - 2.

Applications

Isolating valve for heating systems, district heating, cooling and industrial purposes.

Media

Water, air and other media not decomposing the steel. If in doubt, please contact BROEN Ballomax® Sales Department.

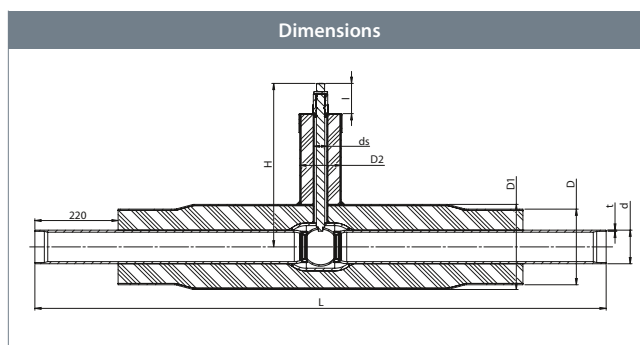
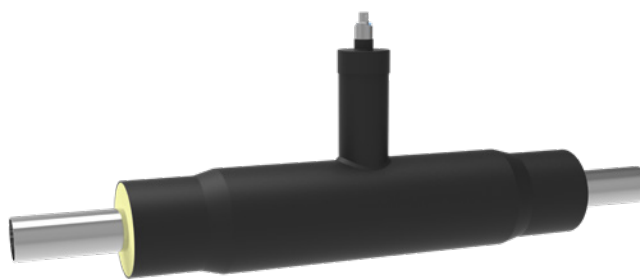
Operation

The following operating devices are available to order:

- Universal allen key
- Mobile actuator for DN100-350
- Planetary gear for DN100-400

Approvals and certificates

BROEN is certified according to ISO 9001 and environmentally certified according to ISO 14001. BRPEM Ballomax® is approved according to the requirements of Pressure Equipment Directive (PED). All ball valves as from DN40 are CE-marked. The 3.1 certificate is available upon request.



Notice

Valves operated with gear for DN100-400. All pre-insulated ball valves are delivered with alarm wire. Outlet for alarm available on request.







DN	BROEN No.	Bore	Kvs	net Weight kg	All dimensions in mm									
					L	H	d	t	D	D1	D2	ds	l	Hx
25	67102025 0090	20	27	10	1510	480	33.7	2.6	110	140	110	38.0	80	19
32	67102032 0090	25	40	12	1510	485	42.4	2.6	125	160	110	38.0	80	19
40	67102040 0090	32	69	17	1510	493	48.3	2.6	125	160	110	38.0	87	19
50	67102050 0090	40	110	20	1510	500	60.3	2.9	140	180	110	38.0	87	19
65	67102065 0090	50	180	24	1510	423	76.1	2.9	160	200	110	38.0	78	19
80	67102080 0090	65	288	30	1510	432	88.9	3.2	180	225	110	38.0	80	19
100*	67102100 0090	80	470	44	1510	451	114.3	3.6	225	280	125	57.0	85	27/70
125*	67102125 0090	100	699	57	1510	491	139.7	3.6	250	315	125	76.0	103	27/70
150*	67102150 0090	125	1046	84	1510	565	168.3	4.0	280	355	140	76.0	157	27/70
200**	67102200 0790	150	1500	123	1510	563	219.1	4.5	355	450	140	76.0	132	50/90
250**	8704225250 0790	200	3200	202	1510	613	273.0	5.0	450	500	160	101.6	138	50/90
300**	8704225300 0790	250	4700	320	1810	664	323.9	5.6	500	560	160	101.6	140	50/90
350**	8704225350 0790	250	5500	-	1810	664	355.6	5.6	560	630	160	101.6	140	50/90
400**	8704225400 0790	305	10600	-	1810	793	406.4	6.3	630	710	225	133.0	190	Ø60

Valves *can / **should be operated with gearbox.

Steel ball valve, High stress, Pre-insulated, class 2 - DN25-400, PN25



Type 67102 / 87042 - Reduced bore

Accessories	BROEN No.	Dimension	Description
	3723S60		Universal allen key for both isolating and service valves.
	66361100 060	DN100-150	BROEN-Gear - Mobile actuator.
	66361250 070	DN200-350	
	66062020S314200 (0,5 m)	DN25-80	Flex extender - Steel + PVC protection tube - also available in 1,0 mtr and 2,0 mtr - see accessories, can be shortened as needed.
	66062020S314300 (0,5 m)	DN80-125	
	66062150S314000 (0,5 m)	DN100-150	Flex extender - Steel + Stainless steel protection tube - also available in 1,0 mtr and 2,0 mtr - see accessories, can be shortened as needed.
	66062250S314000 (0,5 m)	DN200-350	
	1897S02	DN20-80	Square adaptor plug for mounting on hexagon.
	1903S02	DN100-150	
	500249	DN100-150	BROEN-Gear - Planetary gear.
	3/PP06001KS02	DN200-350	
	3/PP05002KS02	DN400	

Steel ball valve, High stress, Pre-insulated, class 2, 1 Service valve - DN25-400, PN25

Type 67102 / 87042 - Reduced bore

Welding x Welding

Pre-insulated fully welded steel ball valve for underground service acc. to EN488, with one DN40 service valve.

Materials

See page 16.1 - 2.

Applications

Isolating valve for heating systems, district heating, cooling and industrial purposes.

Media

Water, air, oil and other media not decomposing the steel. If in doubt, please contact BROEN Ballomax® Sales Department.

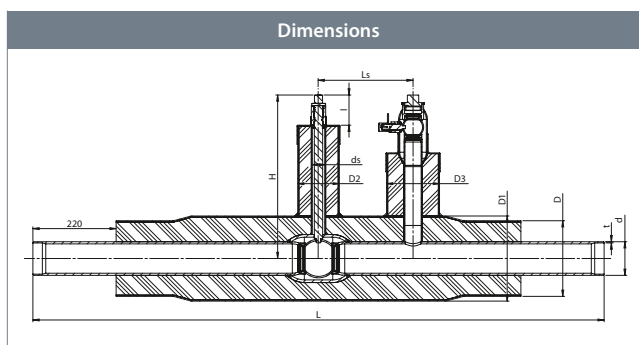
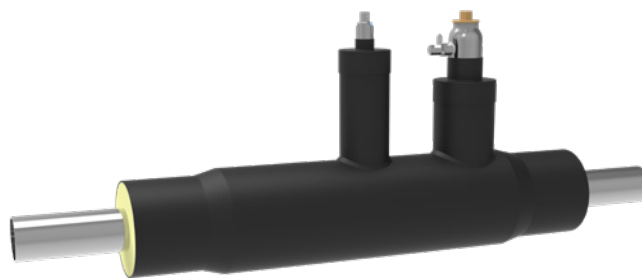
Operation

The following operating devices are available to order:

- Universal allen key
- Mobile actuator for DN100-350
- Planetary gear for DN100-400

Approvals and certificates

BROEN is certified according to ISO 9001 and environmentally certified according to ISO 14001. Ballomax® is approved according to the requirements of Pressure Equipment Directive (PED). The 3.1 certificate is available upon request.



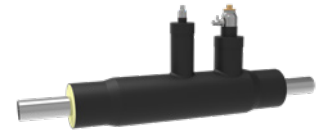
Notice

Valves operated with gear for DN100-400. All pre-insulated ball valves are delivered with alarm wire. Outlet for alarm available on request.







DN	BROEN No.	Bore	Kvs	net Weight kg	All dimensions in mm											
					L	H	d	t	D	D1	D2	D3	ds	l	Ls	Hx
25*	67102025 0091	20	27	10	1510	480	33.7	2.6	110	140	110	110	38.0	80	250	19
32*	67102032 0091	25	40	12	1510	485	42.4	2.6	125	160	110	110	38.0	80	250	19
40	67102040 0091	32	69	20	1510	493	48.3	2.6	125	160	110	140	38.0	80	250	19
50	67102050 0091	40	110	23	1510	500	60.3	2.9	140	180	110	140	38.0	80	250	19
65	67102065 0091	50	180	27	1510	423	76.1	2.9	160	200	110	140	38.0	80	250	19
80	67102080 0091	65	288	33	1510	432	88.9	3.2	180	225	110	140	38.0	80	250	19
100**	67102100 0091	80	470	48	1510	451	114.3	3.6	225	280	125	140	57.0	85	250	27/70
125**	67102125 0091	100	699	60	1510	491	139.7	3.6	250	315	125	140	76.0	103	250	27/70
150**	67102150 0091	125	1046	87	1510	565	168.3	4.0	280	355	140	140	76.0	105	265	27/70
200***	67102200 0791	150	1500	125	1510	585	219.1	4.5	355	450	140	140	76.0	130	265	50/90
250***	8704225250 0791	200	3200	204	1510	613	273.0	5.0	450	500	160	140	101.6	138	245	50/90
300***	8704225300 0791	250	4700	323	1810	664	323.9	5.6	500	560	160	140	101.6	140	295	50/90
350***	8704225350 0791	250	5500	-	1810	664	355.6	5.6	560	630	160	140	101.6	140	300	50/90
400***	8704225400 0791	305	10600	-	1810	793	406.4	6.3	630	710	225	140	133.0	190	350	Ø60

* Delivered with one DN25 service valve (Ø33,7). Vales *can / **should be operated with gearbox.

Steel ball valve, High stress, Pre-insulated, class 2, 1 Service valve - DN25-400, PN25



Type 67102 / 87042 - Reduced bore

Accessories	BROEN No.	Dimension	Description
	3723S60		Universal allen key for both isolating and service valves.
	66361100 060	DN100-150	BROEN-Gear - Mobile actuator.
	66361250 070	DN200-350	
	66062020S314200 (0,5 m)	DN25-80	Flex extender - Steel + PVC proction tube - also available in 1,0 mtr and 2,0 mtr - see accessories, can be shortened as needed.
	66062020S314300 (0,5 m)	DN80-125	
	66062150S314000 (0,5 m)	DN100-150	Flex extender - Steel + Stainless steel proction tube - also available in 1,0 mtr and 2,0 mtr - see accessories, can be shortened as needed.
	66062250S314000 (0,5 m)	DN200-350	
	1897S02	DN20-80	Square adaptor plug for mounting on hexagon.
	1903S02	DN100-150	
	500249	DN100-150	BROEN-Gear - Planetary gear.
	3/PP06001KS02	DN200-350	
	3/PP05002KS02	DN400	

Steel ball valve, High stress, Pre-insulated, class 2, 2 Service valves - DN25-400, PN25

Type 67102 / 87042 - Reduced bore

Welding × Welding

Pre-insulated fully welded steel ball valve for underground service acc. to EN488, with two DN40 service valves.

Materials

See page 16.1 - 2.

Applications

Isolating valve for heating systems, district heating, cooling and industrial purposes.

Media

Water, air and other media not decomposing the steel. If in doubt, please contact BROEN Ballomax® Sales Department.

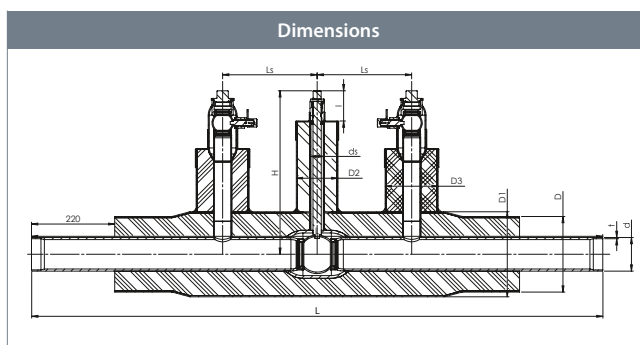
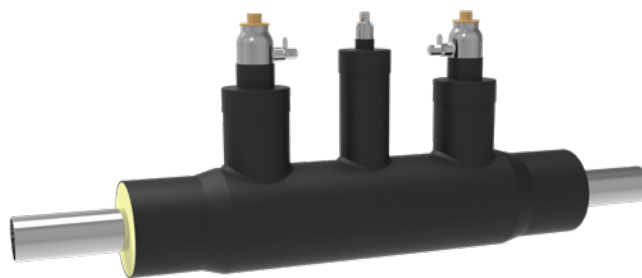
Operation

The following operating devices are available to order:

- Universal allen key
- Mobile actuator for DN100-350
- Planetary gear for DN100-400

Approvals and certificates

BROEN is certified according to ISO 9001 and environmentally certified according to ISO 14001. BROEN Ballomax® is approved according to the requirements of Pressure Equipment Directive (PED). The 3.1 certificate is available upon request.



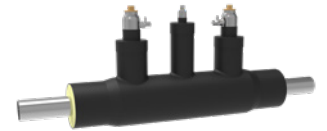
Notice

Valves operated with gear for DN150-400. All pre-insulated ball valves are delivered with alarm wire. Outlet for alarm available on request.







DN	BROEN No.	Bore	Kvs	net Weight kg	All dimensions in mm											
					L	H	d	t	D	D1	D2	D3	ds	l	Ls	Hx
25*	67102025 0092	20	27	10	1510	480	33.7	2.6	110	140	110	110	38.0	80	250	19
32*	67102032 0092	25	40	12	1510	485	42.4	2.6	125	160	110	110	38.0	80	250	19
40	67102040 0092	32	69	20	1510	493	48.3	2.6	125	160	110	140	38.0	80	250	19
50	67102050 0092	40	110	23	1510	500	60.3	2.9	140	180	110	140	38.0	80	250	19
65	67102065 0092	50	180	27	1510	505	76.1	2.9	160	200	110	140	38.0	80	250	19
80	67102080 0092	65	288	33	1510	515	88.9	3.2	180	225	110	140	38.0	80	250	19
100**	67102100 0092	80	470	48	1510	525	114.3	3.6	225	280	125	140	57.0	85	250	27/70
125**	67102125 0092	100	699	60	1510	545	139.7	3.6	250	315	125	140	76.0	105	250	27/70
150**	67102150 0092	125	1046	87	1510	565	168.3	4.0	280	355	140	140	76.0	105	265	27/70
200***	67102200 0792	150	1500	125	1510	585	219.1	4.5	355	450	140	140	76.0	130	265	50/90
250***	8704225250 0792	200	3200	204	1510	613	273.0	5.0	450	500	160	140	101.6	138	245	50/90
300***	8704225300 0792	250	4700	323	1810	664	323.9	5.6	500	560	160	140	101.6	140	295	50/90
350***	8704225350 0792	250	5500	-	1810	664	355.6	5.6	560	630	160	140	101.6	140	300	50/90
400***	8704225400 0792	305	10600	-	1810	793	406.4	6.3	630	710	225	140	133.0	190	350	Ø60

* Delivered with two DN25 service valves (Ø33,7). Vales *can / **should be operated with gearbox.

Steel ball valve, High stress, Pre-insulated, class 2, 2 Service valves - DN25-400, PN25



Type 67102 / 87042 - Reduced bore

Accessories	BROEN No.	Dimension	Description
	3723S60		Universal allen key for both isolating and service valves.
	66361100 060	DN100-150	BROEN-Gear - Mobile actuator.
	66361250 070	DN200-350	
	66062020S314200 (0,5 m)	DN25-80	Flex extender - Steel + PVC protection tube - also available in 1,0 mtr and 2,0 mtr - see accessories, can be shortened as needed.
	66062020S314300 (0,5 m)	DN80-125	
	66062150S314000 (0,5 m)	DN100-150	Flex extender - Steel + Stainless steel protection tube - also available in 1,0 mtr and 2,0 mtr - see accessories, can be shortened as needed.
	66062250S314000 (0,5 m)	DN200-350	
	1897S02	DN20-80	Square adaptor plug for mounting on hexagon.
	1903S02	DN100-150	
	500249	DN100-150	BROEN-Gear - Planetary gear.
	3/PP06001KS02	DN200-350	
	3/PP05002KS02	DN400	

Steel ball valve, High stress, Pre-insulated, class 2 - DN150-500, PN25

Type - Reduced bore

Welding × Welding with ISO-flange

Pre-insulated fully welded steel ball valve for underground service acc. to EN488.

Materials

See page 16.1 - 2.

Applications

Isolating valve for heating systems, district heating, cooling and industrial purposes.

Media

Water, air and other media not decomposing the steel. If in doubt, please contact BROEN Ballomax® Sales Department.

Operation

The following operating devices are available to order:

- Bevel gear (square)
- Telescopic extender for Bevel gear, only for square
- Bevel gear (HEX)

Approvals and certificates

BROEN is certified according to ISO 9001 and environmentally certified according to ISO 14001. BROEN Ballomax® is approved according to the requirements of Pressure Equipment Directive (PED). All ball valves as from DN40 are CE-marked. The 3.1 certificate is available upon request.

Notice

Valves operated with gear, see accessories. All pre-insulated ball valves are delivered with alarm wire. Outlet for alarm available on request.

DN	BROEN No.	Bore	Kvs	net Weight kg	All dimensions in mm									
					L	H	d	t	D	D1	D2	ds	l	Hx
150	On request													
200	On request													
250	On request													
300	On request													
350	On request													
400	On request													
500	On request													

Steel ball valve, High stress, Pre-insulated, class 2 - DN150-500, PN25

Type - Reduced bore

Accessories	BROEN No.	Dimension	Description
	600651	DN200	BROEN-Gear - Bevel gear (square).
	600652	DN250	
	600653	DN300-350	
	600654	DN400	
	600655	DN500	
	500114 (L=500-850 cm)	DN200-500	BROEN telescopic extender for Bevel gear, only for square.
	500115 (L=851-1500 cm)	DN200-500	
	500152 (L=1501-2500 cm)	DN200-500	
	600591	DN200	BROEN-Gear - Bevel gear (HEX).
	600592	DN250	
	600593	DN300-350	
	600594	DN400	
	600595	DN500	

Steel ball valve, High stress, Pre-insulated, class 2, 1 Service valve - DN150-500, PN25

Type - Reduced bore

Welding × Welding with ISO-flange

Pre-insulated fully welded steel ball valve for underground service acc. to EN488, with one DN40 service valve.

Materials

See page 16.1 - 2.

Applications

Isolating valve for heating systems, district heating, cooling and industrial purposes.

Media

Water, air and other media not decomposing the steel. If in doubt, please contact BROEN Ballomax® Sales Department.

Operation

The following operating devices are available to order:

- Bevel gear (square)
- Telescopic extender for Bevel gear, only for square
- Bevel gear (HEX)

Approvals and certificates

BROEN is certified according to ISO 9001 and environmentally certified according to ISO 14001. BROEN Ballomax® is approved according to the requirements of Pressure Equipment Directive (PED). The 3.1 certificate is available upon request.

Notice

Valves operated with gear, see accessories. All pre-insulated ball valves are delivered with alarm wire. Outlet for alarm available on request.

DN	BROEN No.	Bore	Kvs	net Weight kg	All dimensions in mm											
					L	H	d	t	D	D1	D2	D3	ds	l	Ls	Hx
150	On request															
200	On request															
250	On request															
300	On request															
350	On request															
400	On request															
500	On request															

Steel ball valve, High stress, Pre-insulated, class 2, 1 Service valve - DN150-500, PN25

Type - Reduced bore

Accessories	BROEN No.	Dimension	Description
	600651	DN200	BROEN-Gear - Bevel gear (square).
	600652	DN250	
	600653	DN300-350	
	600654	DN400	
	600655	DN500	
	500114 (L=500-850 cm)	DN200-500	BROEN telescopic extender for Bevel gear, only for square.
	500115 (L=851-1500 cm)	DN200-500	
	500152 (L=1501-2500 cm)	DN200-500	
	600591	DN200	BROEN-Gear - Bevel gear (HEX).
	600592	DN250	
	600593	DN300-350	
	600594	DN400	
	600595	DN500	

Steel ball valve, High stress, Pre-insulated, class 2, 2 Service valves - DN150-500, PN25

Type - Reduced bore

Welding × Welding with ISO-flange

Pre-insulated fully welded steel ball valve for underground service acc. to EN488, with two DN40 service valves.

Materials

See page 16.1 - 2.

Applications

Isolating valve for heating systems, district heating, cooling and industrial purposes.

Media

Water, air and other media not decomposing the steel. If in doubt, please contact BROEN Ballomax® Sales Department.

Operation

The following operating devices are available to order:

- Bevel gear (square)
- Telescopic extender for Bevel gear, only for square
- Bevel gear (HEX)

Approvals and certificates

BROEN is certified according to ISO 9001 and environmentally certified according to ISO 14001. BROEN Ballomax® is approved according to the requirements of Pressure Equipment Directive (PED). The 3.1 certificate is available upon request.

Notice

Valves operated with gear, see accessories. All pre-insulated ball valves are delivered with alarm wire. Outlet for alarm available on request.

DN	BROEN No.	Bore	Kvs	net Weight kg	All dimensions in mm											Hx
					L	H	d	t	D	D1	D2	D3	ds	l	Ls	
150	On request															
200	On request															
250	On request															
300	On request															
350	On request															
400	On request															
500	On request															

Steel ball valve, High stress, Pre-insulated, class 2, 2 Service valves - DN150-500, PN25

Type - Reduced bore

Accessories	BROEN No.	Dimension	Description
	600651	DN200	BROEN-Gear - Bevel gear (square).
	600652	DN250	
	600653	DN300-350	
	600654	DN400	
	600655	DN500	
	500114 (L=500-850 cm)	DN200-500	BROEN telescopic extender for Bevel gear, only for square.
	500115 (L=851-1500 cm)	DN200-500	
	500152 (L=1501-2500 cm)	DN200-500	
	600591	DN200	BROEN-Gear - Bevel gear (HEX).
	600592	DN250	
	600593	DN300-350	
	600594	DN400	
	600595	DN500	

Steel ball valve, High stress, Pre-insulated, class 3 - DN25-400, PN25

Type 67102 / 87042 - Reduced bore

Welding × Welding

Pre-insulated fully welded steel ball valve for underground service acc. to EN488.

Materials

See page 16.1 - 2.

Applications

Isolating valve for heating systems, district heating, cooling and industrial purposes.

Media

Water, air and other media not decomposing the steel. If in doubt, please contact BROEN Ballomax® Sales Department.

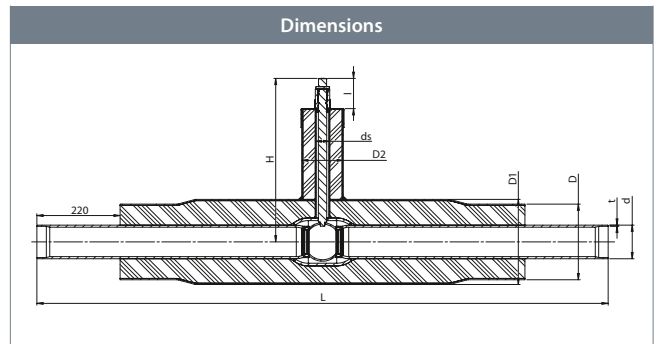
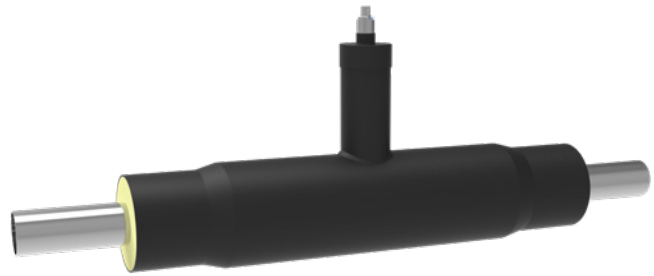
Operation

The following operating devices are available to order:

- Universal allen key
- Mobile actuator for DN100-350
- Planetary gear for DN100-400

Approvals and certificates

BROEN is certified according to ISO 9001 and environmentally certified according to ISO 14001. BROEN Ballomax® is approved according to the requirements of Pressure Equipment Directive (PED). All ball valves as from DN40 are CE-marked. The 3.1 certificate is available upon request.



Notice

Valves operated with gear for DN100-400. All pre-insulated ball valves are delivered with alarm wire. Outlet for alarm available on request.







DN	BROEN No.	Bore	Kvs	net Weight kg	All dimensions in mm									
					L	H	d	t	D	D1	D2	ds	l	Hx
25	67102025 0070	20	27	10	1510	480	33.7	2.6	125	140	110	38.0	80	19
32	67102032 0070	25	40	12	1510	485	42.4	2.6	140	160	110	38.0	80	19
40	67102040 0070	32	69	17	1510	493	48.3	2.6	140	160	110	38.0	87	19
50	67102050 0070	40	110	20	1510	500	60.3	2.9	160	180	110	38.0	87	19
65	67102065 0070	50	180	24	1510	423	76.1	2.9	180	200	110	38.0	78	19
80	67102080 0070	65	288	30	1510	432	88.9	3.2	200	225	110	38.0	80	19
100*	67102100 0070	80	470	44	1510	451	114.3	3.6	250	280	125	57.0	85	27/70
125*	67102125 0070	100	699	57	1510	491	139.7	3.6	280	315	125	76.0	103	27/70
150*	67102150 0070	125	1046	84	1510	565	168.3	4.0	315	355	125	76.0	157	27/70
200**	67102200 0770	150	1500	123	1510	563	219.1	4.5	400	450	125	76.0	132	50/90
250**	8704225250 0770	200	3200	202	1510	613	273.0	5.0	500	500	160	101.6	138	50/90
300**	8704225300 0770	250	4700	320	1810	664	323.9	5.6	560	560	160	101.6	140	50/90
350**	8704225350 0770	250	5500	-	1810	664	355.6	5.6	630	630	160	101.6	140	50/90
400**	8704225400 0770	305	10600	-	1810	793	406.4	6.3	710	710	225	133.0	190	Ø60

Valves *can / **should be operated with gearbox.

Steel ball valve, High stress, Pre-insulated, class 3 - DN25-400, PN25



Type 67102 / 87042 - Reduced bore

Accessories	BROEN No.	Dimension	Description
	3723S60		Universal allen key for both isolating and service valves.
	66361100 060	DN100-150	BROEN-Gear - Mobile actuator.
	66361250 070	DN200-350	
	66062020S314200 (0,5 m)	DN25-80	Flex extender - Steel + PVC protection tube - also available in 1,0 mtr and 2,0 mtr - see accessories, can be shortened as needed.
	66062020S314300 (0,5 m)	DN80-125	
	66062150S314000 (0,5 m)	DN100-150	Flex extender - Steel + Stainless steel protection tube - also available in 1,0 mtr and 2,0 mtr - see accessories, can be shortened as needed.
	66062250S314000 (0,5 m)	DN200-350	
	1897S02	DN20-80	Square adaptor plug for mounting on hexagon.
	1903S02	DN100-150	
	500249	DN100-150	BROEN-Gear - Planetary gear.
	3/PP06001KS02	DN200-350	
	3/PP05002KS02	DN400	

Steel ball valve, High stress, Pre-insulated, class 3, 1 Service valve - DN25-400, PN25

Type 67102 / 87042 - Reduced bore

Welding × Welding

Pre-insulated fully welded steel ball valve for underground service acc. to EN488, with one DN40 service valve.

Materials

See page 16.1 - 2.

Applications

Isolating valve for heating systems, district heating, cooling and industrial purposes.

Media

Water, air and other media not decomposing the steel. If in doubt, please contact BROEN Ballomax® Sales Department.

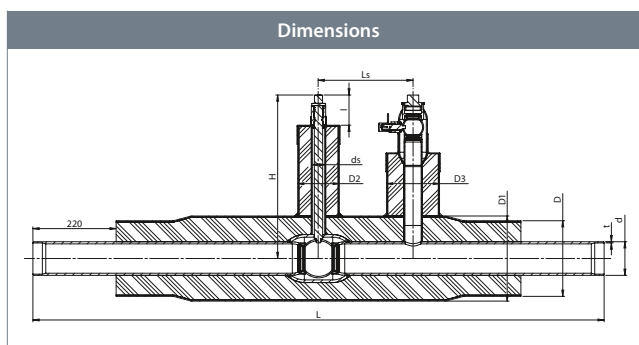
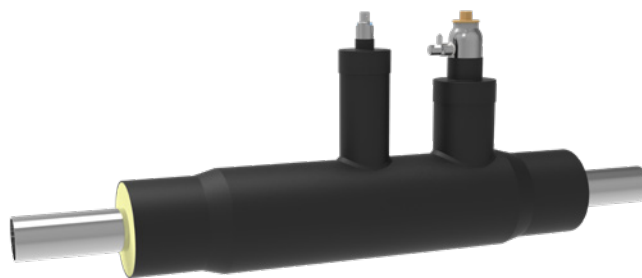
Operation

The following operating devices are available to order:

- Universal allen key
- Mobile actuator for DN100-350
- Planetary gear for DN100-400

Approvals and certificates

BROEN is certified according to ISO 9001 and environmentally certified according to ISO 14001. BROEN Ballomax® is approved according to the requirements of Pressure Equipment Directive (PED). The 3.1 certificate is available upon request.



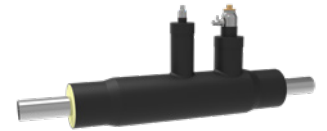
Notice

Valves operated with gear for DN100-400. All pre-insulated ball valves are delivered with alarm wire. Outlet for alarm available on request.







DN	BROEN No.	Bore	Kvs	net Weight kg	All dimensions in mm											
					L	H	d	t	D	D1	D2	D3	ds	l	Ls	Hx
25*	67102025 0071	20	27	10	1510	480	33.7	2.6	125	140	110	110	38.0	80	250	19
32*	67102032 0071	25	40	12	1510	485	42.4	2.6	140	160	110	110	38.0	80	250	19
40	67102040 0071	32	69	20	1510	493	48.3	2.6	140	160	110	140	38.0	80	250	19
50	67102050 0071	40	110	23	1510	500	60.3	2.9	160	180	110	125	38.0	80	250	19
65	67102065 0071	50	180	27	1510	423	76.1	2.9	180	200	110	140	38.0	80	250	19
80	67102080 0071	65	288	33	1510	432	88.9	3.2	200	225	110	140	38.0	80	250	19
100**	67102100 0071	80	470	48	1510	451	114.3	3.6	250	280	125	140	57.0	85	250	27/70
125**	67102125 0071	100	699	60	1510	491	139.7	3.6	280	315	125	140	76.0	103	250	27/70
150**	67102150 0071	125	1046	87	1510	565	168.3	4.0	315	355	125	140	76.0	105	-	27/70
200***	67102200 0771	150	1500	125	1510	585	219.1	4.5	400	450	125	140	76.0	130	-	50/90
250***	8704225250 0771	200	3200	204	1510	613	273.0	5.0	500	500	160	140	101.6	138	245	50/90
300***	8704225300 0771	250	4700	323	1810	664	323.9	5.6	560	560	160	140	101.6	140	295	50/90
350***	8704225350 0771	250	5500	-	1810	664	355.6	5.6	630	630	160	140	101.6	140	300	50/90
400***	8704225400 0771	305	10600	-	1810	793	406.4	6.3	710	710	225	140	133.0	190	350	Ø60

* Delivered with one DN25 service valve (Ø33,7). Vales *can / **should be operated with gearbox.

Steel ball valve, High stress, Pre-insulated, class 3, 1 Service valve - DN25-400, PN25



Type 67102 / 87042 - Reduced bore

Accessories	BROEN No.	Dimension	Description
	3723S60		Universal allen key for both isolating and service valves.
	66361100 060	DN100-150	BROEN-Gear - Mobile actuator.
	66361250 070	DN200-350	
	66062020S314200 (0,5 m)	DN25-80	Flex extender - Steel + PVC protection tube - also available in 1,0 mtr and 2,0 mtr - see accessories, can be shortened as needed.
	66062020S314300 (0,5 m)	DN80-125	
	66062150S314000 (0,5 m)	DN100-150	Flex extender - Steel + Stainless steel protection tube - also available in 1,0 mtr and 2,0 mtr - see accessories, can be shortened as needed.
	66062250S314000 (0,5 m)	DN200-350	
	1897S02	DN20-80	Square adaptor plug for mounting on hexagon.
	1903S02	DN100-150	
	500249	DN100-150	BROEN-Gear - Planetary gear.
	3/PP06001KS02	DN200-350	
	3/PP05002KS02	DN400	

Steel ball valve, High stress, Pre-insulated, class 3, 2 Service valves - DN25-400, PN25

Type 67102 / 87042 - Reduced bore

Welding × Welding

Pre-insulated fully welded steel ball valve for underground service acc. to EN488, with two DN40 service valves.

Materials

See page 16.1 - 2.

Applications

Isolating valve for heating systems, district heating, cooling and industrial purposes.

Media

Water, air and other media not decomposing the steel. If in doubt, please contact BROEN Ballomax® Sales Department.

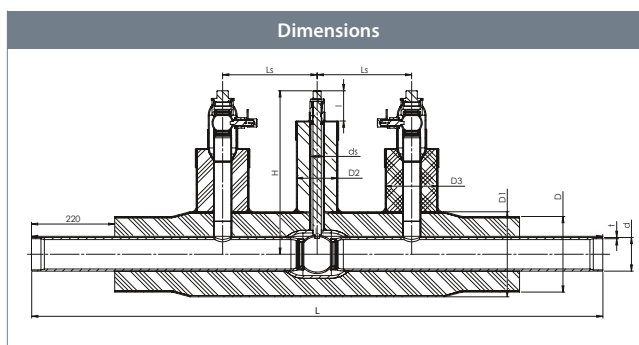
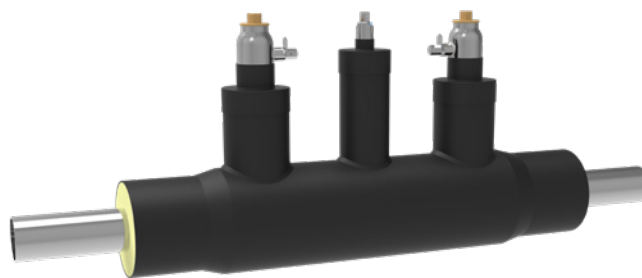
Operation

The following operating devices are available to order:

- Universal allen key
- Mobile actuator for DN100-350
- Planetary gear for DN100-400

Approvals and certificates

BROEN is certified according to ISO 9001 and environmentally certified according to ISO 14001. BROEN Ballomax® is approved according to the requirements of Pressure Equipment Directive (PED). The 3.1 certificate is available upon request.



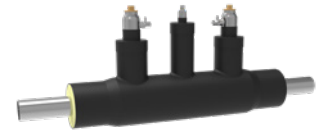
Notice

Valves operated with gear for DN100-400. All pre-insulated ball valves are delivered with alarm wire. Outlet for alarm available on request.





DN	BROEN No.	Bore	Kvs	net Weight kg	All dimensions in mm											
					L	H	d	t	D	D1	D2	D3	ds	l	Ls	Hx
25*	67102025 0072	20	27	10	1510	480	33.7	2.6	125	140	110	110	38.0	80	250	19
32*	67102032 0072	25	40	12	1510	485	42.4	2.6	140	160	110	110	38.0	80	250	19
40	67102040 0072	32	69	20	1510	493	48.3	2.6	140	160	110	140	38.0	80	250	19
50	67102050 0072	40	110	23	1510	500	60.3	2.9	160	180	110	125	38.0	80	250	19
65	67102065 0072	50	180	27	1510	505	76.1	2.9	180	200	110	140	38.0	80	250	19
80	67102080 0072	65	288	33	1510	515	88.9	3.2	200	225	110	140	38.0	80	250	19
100**	67102100 0072	80	470	48	1510	525	114.3	3.6	250	280	125	140	57.0	85	250	27/70
125**	67102125 0072	100	699	60	1510	545	139.7	3.6	280	315	125	140	76.0	105	250	27/70
150**	67102150 0072	125	1046	87	1510	565	168.3	4.0	315	355	125	140	76.0	105	265	27/70
200***	67102200 0772	150	1500	125	1510	585	219.1	4.5	400	450	125	140	76.0	130	265	50/90
250***	8704225250 0772	200	3200	204	1510	613	273.0	5.0	500	500	160	140	101.6	138	245	50/90
300***	8704225300 0772	250	4700	323	1810	664	323.9	5.6	560	560	160	140	101.6	140	295	50/90
350***	8704225350 0772	250	5500	-	1810	664	355.6	5.6	630	630	160	140	101.6	140	300	50/90
400***	8704225400 0772	305	10600	-	1810	793	406.4	6.3	710	710	225	140	133.0	190	350	Ø60

* Delivered with two DN25 service valves (Ø33,7). Vales *can / **should be operated with gearbox.

Steel ball valve, High stress, Pre-insulated, class 3, 2 Service valves - DN25-400, PN25



Type 67102 / 87042 - Reduced bore

Accessories	BROEN No.	Dimension	Description
	3723S60		Universal allen key for both isolating and service valves.
	66361100 060	DN100-150	BROEN-Gear - Mobile actuator.
	66361250 070	DN200-350	
	66062020S314200 (0,5 m)	DN25-80	Flex extender - Steel + PVC protection tube - also available in 1,0 mtr and 2,0 mtr - see accessories, can be shortened as needed.
	66062020S314300 (0,5 m)	DN80-125	
	66062150S314000 (0,5 m)	DN100-150	Flex extender - Steel + Stainless steel protection tube - also available in 1,0 mtr and 2,0 mtr - see accessories, can be shortened as needed.
	66062250S314000 (0,5 m)	DN200-350	
	1897S02	DN20-80	Square adaptor plug for mounting on hexagon.
	1903S02	DN100-150	
	500249	DN100-150	BROEN-Gear - Planetary gear.
	3/PP06001KS02	DN200-350	
	3/PP05002KS02	DN400	

Steel ball valve, High stress, Pre-insulated, class 3 - DN150-500, PN25

Type - Reduced bore

Welding × Welding with ISO-flange

Pre-insulated fully welded steel ball valve for underground service acc. to EN488.

Materials

See page 16.1 - 2.

Applications

Isolating valve for heating systems, district heating, cooling and industrial purposes.

Media

Water, air and other media not decomposing the steel. If in doubt, please contact BROEN Ballomax® Sales Department.

Operation

The following operating devices are available to order:

- Bevel gear (square)
- Telescopic extender for Bevel gear, only for square
- Bevel gear (HEX)

Approvals and certificates

BROEN is certified according to ISO 9001 and environmentally certified according to ISO 14001. BROEN Ballomax® is approved according to the requirements of Pressure Equipment Directive (PED). All ball valves as from DN40 are CE-marked. The 3.1 certificate is available upon request.

Notice

Valves operated with gear, see accessories. All pre-insulated ball valves are delivered with alarm wire. Outlet for alarm available on request.

DN	BROEN No.	Bore	Kvs	net Weight kg	All dimensions in mm									
					L	H	d	t	D	D1	D2	ds	l	Hx
150	On request													
200	On request													
250	On request													
300	On request													
350	On request													
400	On request													
500	On request													

Steel ball valve, High stress, Pre-insulated, class 3 - DN150-500, PN25

Type - Reduced bore

Accessories	BROEN No.	Dimension	Description
	600651	DN200	BROEN-Gear - Bevel gear (square).
	600652	DN250	
	600653	DN300-350	
	600654	DN400	
	600655	DN500	
	500114 (L=500-850 cm)	DN200-500	BROEN telescopic extender for Bevel gear, only for square.
	500115 (L=851-1500 cm)	DN200-500	
	500152 (L=1501-2500 cm)	DN200-500	
	600591	DN200	BROEN-Gear - Bevel gear (HEX).
	600592	DN250	
	600593	DN300-350	
	600594	DN400	
	600595	DN500	

Steel ball valve, High stress, Pre-insulated, class 3, 1 Service valve - DN150-500, PN25

Type - Reduced bore

Welding × Welding with ISO-flange

Pre-insulated fully welded steel ball valve for underground service acc. to EN488, with one DN40 service valve.

Materials

See page 16.1 - 2.

Applications

Isolating valve for heating systems, district heating, cooling and industrial purposes.

Media

Water, air and other media not decomposing the steel. If in doubt, please contact BROEN Ballomax® Sales Department.

Operation

The following operating devices are available to order:

- Bevel gear (square)
- Telescopic extender for Bevel gear, only for square
- Bevel gear (HEX)

Approvals and certificates

BROEN is certified according to ISO 9001 and environmentally certified according to ISO 14001. BROEN Ballomax® is approved according to the requirements of Pressure Equipment Directive (PED). The 3.1 certificate is available upon request.

Notice

Valves operated with gear, see accessories. All pre-insulated ball valves are delivered with alarm wire. Outlet for alarm available on request.

DN	BROEN No.	Bore	Kvs	net Weight kg	All dimensions in mm											
					L	H	d	t	D	D1	D2	D3	ds	l	Ls	Hx
150	On request															
200	On request															
250	On request															
300	On request															
350	On request															
400	On request															
500	On request															

Steel ball valve, High stress, Pre-insulated, class 3, 1 Service valve - DN150-500, PN25

Type - Reduced bore

Accessories	BROEN No.	Dimension	Description
	600651	DN200	BROEN-Gear - Bevel gear (square).
	600652	DN250	
	600653	DN300-350	
	600654	DN400	
	600655	DN500	
	500114 (L=500-850 cm)	DN200-500	BROEN telescopic extender for Bevel gear, only for square.
	500115 (L=851-1500 cm)	DN200-500	
	500152 (L=1501-2500 cm)	DN200-500	
	600591	DN200	BROEN-Gear - Bevel gear (HEX).
	600592	DN250	
	600593	DN300-350	
	600594	DN400	
	600595	DN500	

Steel ball valve, High stress, Pre-insulated, class 3, 2 Service valves - DN150-500, PN25

Type - Reduced bore

Welding × Welding with ISO-flange

Pre-insulated fully welded steel ball valve for underground service acc. to EN488, with two DN40 service valves.

Materials

See page 16.1 - 2.

Applications

Isolating valve for heating systems, district heating, cooling and industrial purposes.

Media

Water, air and other media not decomposing the steel. If in doubt, please contact BROEN Ballomax® Sales Department.

Operation

The following operating devices are available to order:

- Bevel gear (square)
- Telescopic extender for Bevel gear, only for square
- Bevel gear (HEX)

Approvals and certificates

BROEN is certified according to ISO 9001 and environmentally certified according to ISO 14001. BROEN Ballomax® is approved according to the requirements of Pressure Equipment Directive (PED). The 3.1 certificate is available upon request.

Notice

Valves operated with gear, see accessories. All pre-insulated ball valves are delivered with alarm wire. Outlet for alarm available on request.

DN	BROEN No.	Bore	Kvs	net Weight kg	All dimensions in mm											
					L	H	d	t	D	D1	D2	D3	ds	l	Ls	Hx
150	On request															
200	On request															
250	On request															
300	On request															
350	On request															
400	On request															
500	On request															

Steel ball valve, High stress, Pre-insulated, class 3, 2 Service valves - DN150-500, PN25

Type - Reduced bore

Accessories	BROEN No.	Dimension	Description
	600651	DN200	BROEN-Gear - Bevel gear (square).
	600652	DN250	
	600653	DN300-350	
	600654	DN400	
	600655	DN500	
	500114 (L=500-850 cm)	DN200-500	BROEN telescopic extender for Bevel gear, only for square.
	500115 (L=851-1500 cm)	DN200-500	
	500152 (L=1501-2500 cm)	DN200-500	
	600591	DN200	BROEN-Gear - Bevel gear (HEX).
	600592	DN250	
	600593	DN300-350	
	600594	DN400	
	600595	DN500	

Twin valve, Pre-insulated, class 2 - DN25-200, PN25

Type 67102 - Reduced bore

Welding × Welding

Pre-insulated isolating valve for twin pipes, for underground service acc. to EN488, with four DN40 service valves.

Materials

See next page.

Applications

Isolating valve for heating systems, district heating, cooling and industrial purposes.

Media

Water, air and other media not decomposing the steel. If in doubt, please contact BROEN Ballomax® Sales Department.

Operation

The following operating devices are available to order:

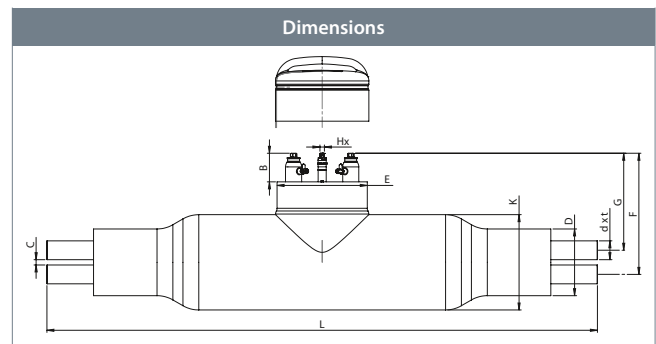
- Bevel gear (square)
- Telescopic extender for Bevel gear, only for square
- Bevel gear (HEX)

Approvals and certificates

BROEN is certified according to ISO 9001 and environmentally certified according to ISO 14001. BROEN Ballomax® is approved according to the requirements of Pressure Equipment Directive (PED). The 3.1 certificate is available upon request.

Notice

All twin valves are delivered with alarm wire. Outlet for alarm available on request.



DN	BROEN No.	Bore	Kvs	net Weight kg	All dimensions in mm									
					d × t	B	C	D	E	F	G	K	L	Hx
25*	67102025 669922	20		35	33.7 × 2.6	124	20	160	348	508	455	355	2150	19
32*	67102032 669922	25		40	42.4 × 2.9	127	20	180	348	515	454	355	2150	19
40	67102040 669922	32		55	48.3 × 2.9	144	20	180	348	528	460	355	2150	19
50	67102050 669922	40		65	60.3 × 2.9	142	20	225	348	460	500	355	2150	19
65	67102065 669922	50		85	76.1 × 2.9	146	20	250	426	458	554	450	2350	19
80	67102080 669922	65		105	88.9 × 3.2	135	25	280	426	572	458	450	2600	19
100	67102100 669922	80		160	114.3 × 3.6	142	25	355	527	596	457	560	2900	27
125	67102125 669922	100		230	139.7 × 3.6	142	30	450	533	631	461	560	3300	27
150	67102150 669922	125		335	168.3 × 4.0	142	40	500	595	669	461	630	4200	27/70
200	67102200 669922	150		350	219.1 × 4.5	135	45	630	665	882	618	800	5900	50/90

* Delivered with four DN25 service valves (Ø33,7).

Twin valve, Pre-insulated, class 2 - DN25-200, PN25

Type 67102 - Reduced bore

Accessories	BROEN No.	Dimension	Description
	3723S60		Universal allen key for both isolating and service valves.
	66361250 070	DN200	BROEN-Gear - Mobile actuator.

Twin valve, Pre-insulated, class 3 - DN25-200, PN25

Type 67102 - Reduced bore

Welding × Welding

Pre-insulated isolating valve for twin pipes, for underground service acc. to EN488, with four DN40 service valves.

Materials

See next page.

Applications

Isolating valve for heating systems, district heating, cooling and industrial purposes.

Media

Water, air and other media not decomposing the steel. If in doubt, please contact BROEN Ballomax® Sales Department.

Operation

The following operating devices are available to order:

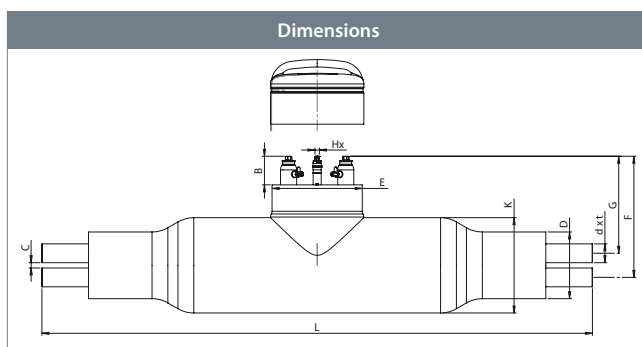
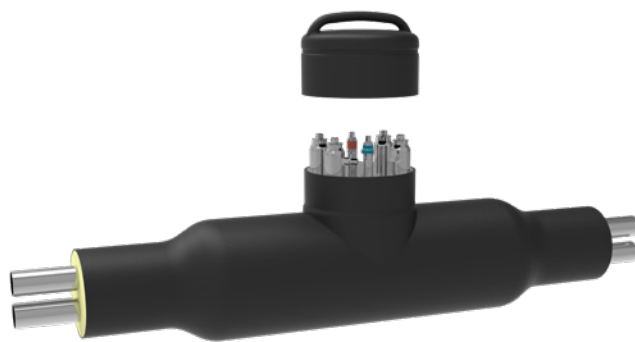
- Bevel gear (square)
- Telescopic extender for Bevel gear, only for square
- Bevel gear (HEX)

Approvals and certificates

BROEN is certified according to ISO 9001 and environmentally certified according to ISO 14001. BROEN Ballomax® is approved according to the requirements of Pressure Equipment Directive (PED). The 3.1 certificate is available upon request.

Notice

All twin valves are delivered with alarm wire. Outlet for alarm available on request.



DN	BROEN No.	Bore	Kvs	net Weight kg	All dimensions in mm									
					d × t	B	C	D	E	F	G	K	L	Hx
25*	67102025 667722	20		35	33,7 × 2,6	124	20	180	348	508	455	355	2150	19
32*	67102032 667722	25		40	42,4 × 2,9	128	20	200	348	516	454	355	2150	19
40	67102040 667722	32		55	48,3 × 2,9	144	20	200	348	528	460	355	2150	19
50	67102050 667722	40		65	60,3 × 2,9	143	20	250	348	540	460	355	2150	19
65	67102065 667722	50		85	76,1 × 2,9	145	20	280	426	554	458	450	2350	19
80	67102080 667722	65		105	88,9 × 3,2	135	25	315	426	572	458	450	2600	19
100	67102100 667722	80		160	114,3 × 3,6	142	25	400	527	596	457	560	2900	27
125	67102125 667722	100		230	139,7 × 3,6	137	30	500	533	631	461	560	3300	27
150	67102150 667722	125		335	168,3 × 4,0	142	40	560	595	669	461	630	4200	27/70
200	67102200 667722	150		350	219,1 × 4,5	155	45	630	665	882	618	800	5900	50/90

* Delivered with four DN25 service valves (Ø33,7).

Twin valve, Pre-insulated, class 3 - DN25-200, PN25

Type 67102 - Reduced bore

Accessories	BROEN No.	Dimension	Description
	3723S60		Universal allen key for both isolating and service valves.
	66361250 070	DN200	BROEN gear - Mobile actuator.

Well valve, Pre-insulated - DN32-250, PN25

Type 67102 - Reduced bore

Welding × Welding

Pre-insulated well valve for underground service acc. to EN488, with four DN40 service valves.

Materials

See next page.

Applications

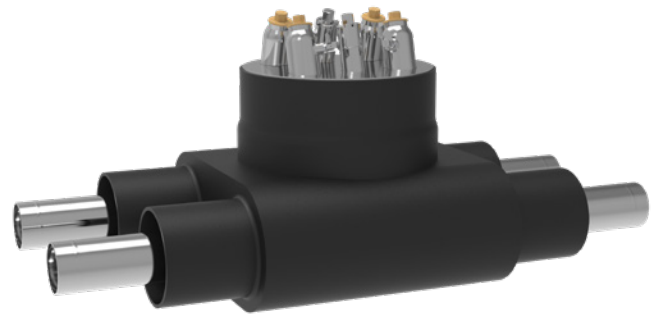
Isolating valve for heating systems, district heating, cooling and industrial purposes.

Media

Water, air and other media not decomposing the steel. If in doubt, please contact BROEN Ballomax® Sales Department.

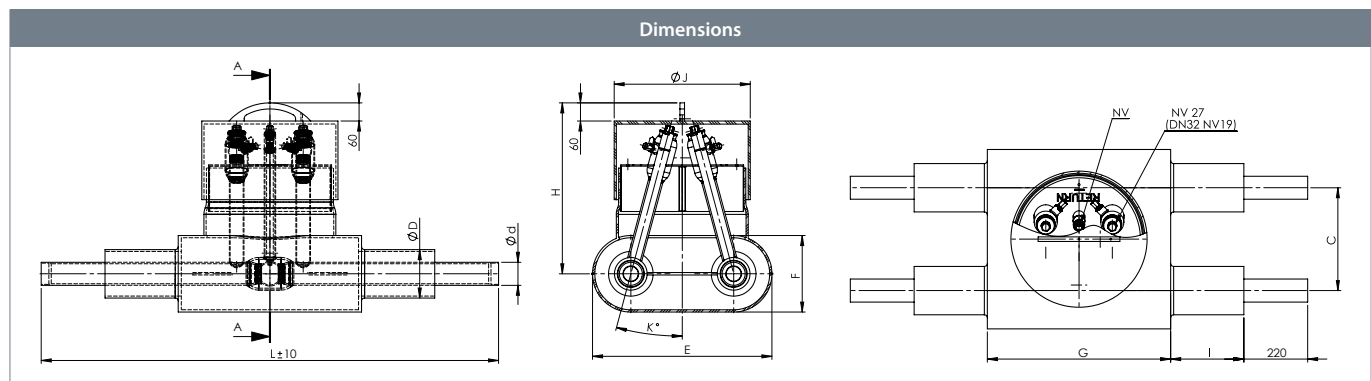
Approvals and certificates

BROEN is certified according to ISO 9001 and environmentally certified according to ISO 14001. BROEN Ballomax® is approved according to the requirements of Pressure Equipment Directive (PED). All ball valves as from DN40 are CE-marked. The 3.1 certificate is available upon request.



Notice

All well valves are delivered with alarm wire. Outlet for alarm available on request.



DN	BROEN No.	Bore	Kvs	net Weight kg	All dimensions in mm											
					d	D	C	E	F	G	H	I	J	K	L	Hx
32*	67102032 559922	25		46	42.4	125	310	531	221	550	560	260	450	11	1510	19
40	67102040 559922	32		57	48.3	125	325	531	221	550	570	260	450	11	1510	19
50	67102050 559922	40		64	60.3	140	325	593	253	606	575	242	450	12	1510	19
65	67102065 559922	50		73	76.1	160	340	593	253	606	575	242	450	15	1510	19
80	67102080 559922	65		87	88.9	180	360	622	262	622	585	225	500	12	1510	19
100	67102100 559922	80		118	114.3	225	400	696	296	646	590	212	500	16	1510	27
125	67102125 559922	100		149	139.7	250	425	775	350	646	610	212	560	15	1510	27
150	67102150 559922	125		213	168.3	280	450	784	334	646	630	212	560	16	1510	27
200	67102200 559922	150		276	219.1	335	515	957	442	680	655	200	710	15	1510	50/90
250	On request															

* Delivered with four DN25 service valves (Ø33,7).

Well valve, Pre-insulated - DN32-250, PN25

Type 67102 - Reduced bore



Service valve - DN25-50, PN25

Type 60101 - Reduced bore

Female x Welding

Service valve for pre-insulated valves and pipes.

Materials

Service valve, valve house in stainless steel, AISI304 (EN 1.4301), welding end in carbon steel - supplied as standard in DK.

Applications

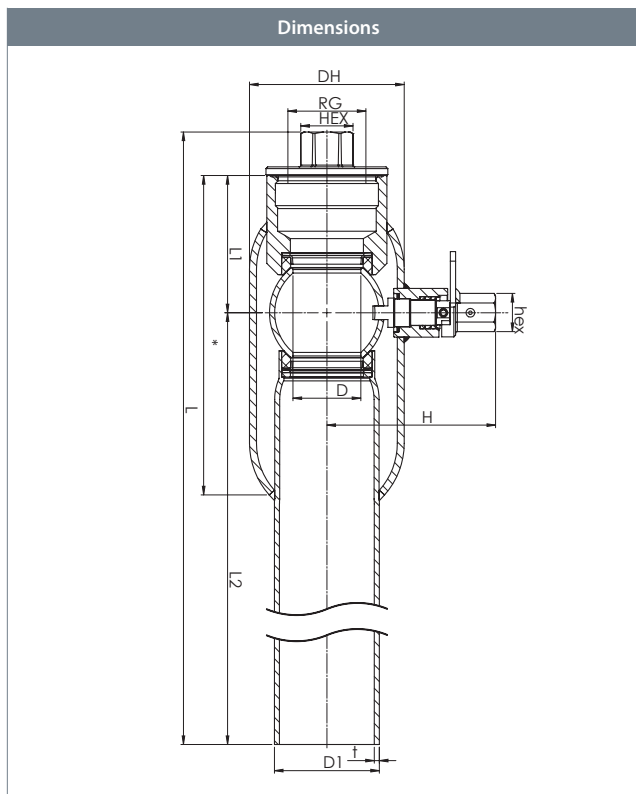
Service valve to be welded on to existing pipe installations.

Media

Water, air and other media not decomposing the steel. If in doubt, please contact BROEN Ballomax® Sales Department.

Approvals and certificates

BROEN is certified according to ISO 9001 and environmentally certified according to ISO 14001. BROEN Ballomax® is approved according to the requirements of Pressure Equipment Directive (PED). All ball valves as from DN40 are CE-marked. The 3.1 certificate is available upon request.



			All dimensions in mm								
DN	BROEN No.	net Weight kg	D	L	L1	L2	DH	D1	t	RG	H
25	60101025S1418 00	1.4	20	345	45.0	275.0	51.0	33.7	2.6	1"	73
32	60101032S141900	2.3	25	345	52.5	267.5	57.0	42.4	2.6	1¼"	77
40	60101040S092900	2.5	32	345	60.0	260.0	76.1	48.3	2.6	1½"	90
50	60101050S093000	3.5	39	362	72.5	264.5	88.9	60.3	2.9	2"	97

Service valve - DN25-80, PN25

Type 60101 - Reduced bore

Female x Welding

Service valve for pre-insulated valves and pipes.

Materials

Service valve, valve house in stainless steel, AISI316Ti (EN1.4571), welding end in carbon steel, glassblasted.

Applications

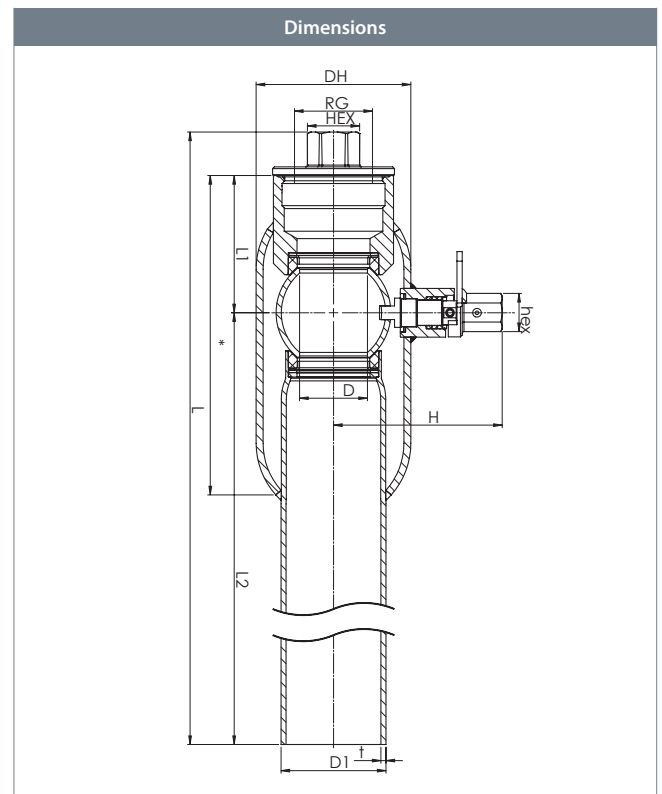
Service valve to be welded on to existing pipe installations.

Media

Water, air and other media not decomposing the steel. If in doubt, please contact BROEN Ballomax® Sales Department.

Approvals and certificates

BROEN is certified according to ISO 9001 and environmentally certified according to ISO 14001. BROEN Ballomax® is approved according to the requirements of Pressure Equipment Directive (PED). All ball valves as from DN40 are CE-marked. The 3.1 certificate is available upon request.



DN	BROEN No.	net Weight kg	All dimensions in mm								
			D	L	L1	L2	DH	D1	t	RG	H
25	60101025S338300	1.8	20	363	62.0	275	51.0	33.7	2.6	1"	73
50	60101050S338400	5.2	39	368	62.6	264	88.9	60.3	2.9	2"	97
80	60101080S319600	5.5	63	387	106.1	350	133.0	88.9	3.2	3"	145

Service valve - DN25-80, PN25

Type 60101 - Reduced bore

Female x Welding

Service valve for pre-insulated valves and pipes.

Materials

Service valve, valve house in stainless steel, AISI316Ti (EN1.4571), welding end in carbon steel, glassblasted. **Length 1000 mm.**

Applications

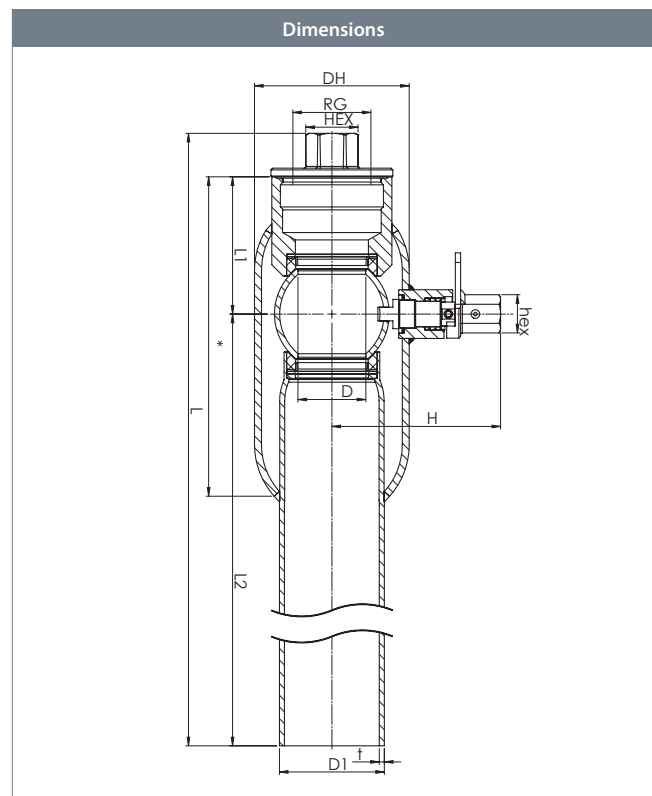
Service valve to be welded on to existing pipe installations.

Media

Water, air and other media not decomposing the steel. If in doubt, please contact BROEN Ballomax® Sales Department.

Approvals and certificates

BROEN is certified according to ISO 9001 and environmentally certified according to ISO 14001. BROEN Ballomax® is approved according to the requirements of Pressure Equipment Directive (PED). All ball valves as from DN40 are CE-marked. The 3.1 certificate is available upon request.



			All dimensions in mm								
DN	BROEN No.	net Weight kg	D	L	L1	L2	DH	D1	t	RG	H
25	601 01025S384000	3.2	20	1025	62.6	937	51.0	33.7	2.6	1"	73
50	60101050S384100	7.8	39	1025	78.8	921	88.9	60.3	2.9	2"	97
80	6 0101080S384200	9.2	63	1031	106.1	894	133.0	88.9	3.2	3"	145

Flex extension - DN20-150

Type 66062 - Reduced bore

Flex extension

Flex extension without back stop for high stress valves.

Materials

Steel and PVC protective pipe.

Applications

The adapter of the inner hexagon part (Stainless steel) will be connected with the stem of the ball valve. The protection tube is made of plastic and will be crimped on to the valve neck.

Notice

All flex extenders can be shortened when needed.



DN	BROEN No.	Length - mm	Nv
20-80	66062020S314200	500	19
20-80	66062020S205900	1000	19
20-80	66062020S306800	2000	19
100-150	66062100S314300	500	27
100-150	66062100S206000	1000	27
100-150	66062100S306700	2000	27

Flex extension - DN25-350

Type 66062 - Reduced bore

Flex extension

Flex extension with back stop for high stress valves.

Materials

Steel and PVC protective pipe.

Applications

The adapter of the inner hexagon part (Stainless steel) will be connected with the stem of the ball valve. The protection tube consists of hexagonal stainless steel.

Notice

All flex extenders can be shortened when needed.



DN	BROEN No.	Length - mm	Nv
100-150	66062150S314000	500	27/70
100-150	66062150 250	1000	27/70
100-150	66062150 260	2000	27/70
200-350	66062250S314100	500	50/90
200-350	66062250 250	1000	50/90
200-350	66062250 260	2000	50/90

Universal allen key

Type 3723S60 - Reduced bore

Universal allen key

For both isolating and service valves.



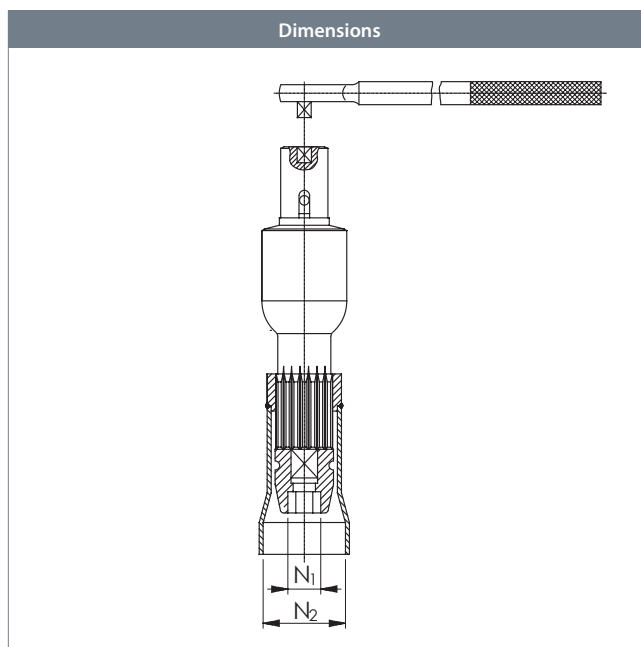
BROEN No.
3723S60

BROEN-Gear, Mobile actuator - DN100-350

Type 66361 - Reduced bore

BROEN-Gear, Mobile actuator

Can be used together with flexible extension with stainless steel protective pipe.



DN	Type	BROEN No.	N1 - mm	N2 - mm	Max. moment - Nm
100-125	MP II	66361100 060	27	70	800
150-250	MP II	66361250 070	50	90	1800
150-350	MP III	66361400 080	50	90	6000

BROEN-Gear, Planetary gear - DN100-400

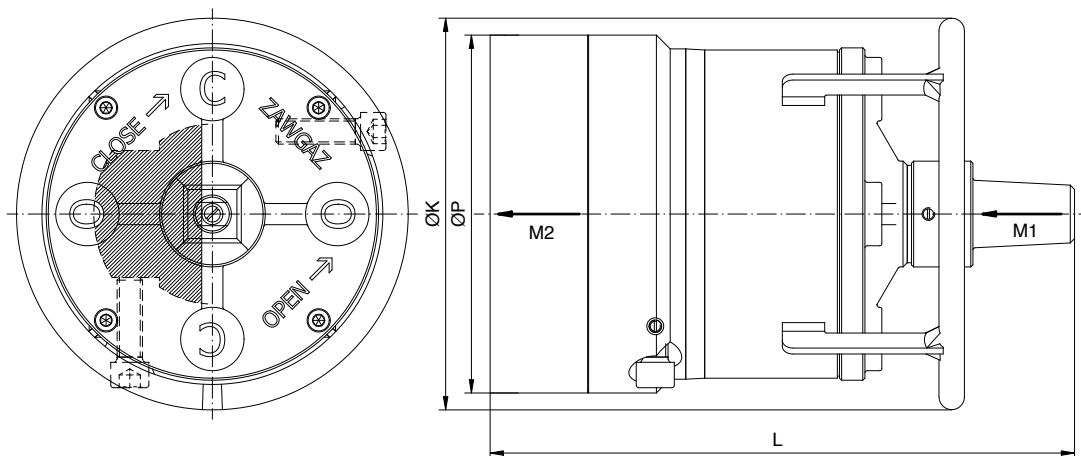
Type 500249 / 3/PP0... - Reduced bore

BROEN-Gear, Planetary gear

Can be used together with flexible extension with stainless steel protective pipe. * Operated with a SQ key.



Dimensions



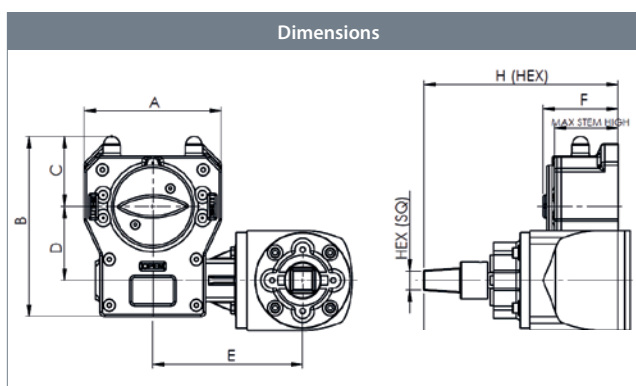
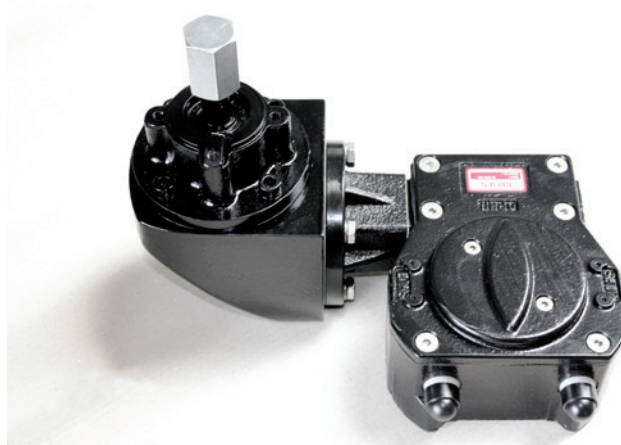
DN	BROEN No.	All dimensions in mm					Square
		M1	M2	L	ØK	ØP	
100-150	500249	50	1000	267	185	169	27/32
200-350	3/PP06001KS02	100	2000	276	185	169	27/32
400	3/PP05002KS02	200	6000	331	258	198	27/32

BROEN-Gear, Bevel gear - DN200-500

Type 60059 - Reduced bore

BROEN-Gear, Bevel gear

BROEN-Gear is a strong high quality bevel-gearbox. The gear is equipped with an angle that makes top operation possible and this makes it well suited for well valves.



DN	BROEN No.	net Weight kg	All dimensions in mm							
			A	B	C	D	E	F	H (HEX)	HEX
200	600591	13.0	138	205	100	71	171	88	217	36
250	600592	17.0	200	242	116	86	181	93	219	36
300	600593	26.0	220	270	122	105	197	102	225	36
350	600593	26.0	220	270	122	105	197	102	225	36
400	600594	43.0	285	323	143	130	336	123	323	36
500	600595	68.2	370	408	170	182	388	139	236	36

BROEN-Gear, Bevel gear - DN200-500

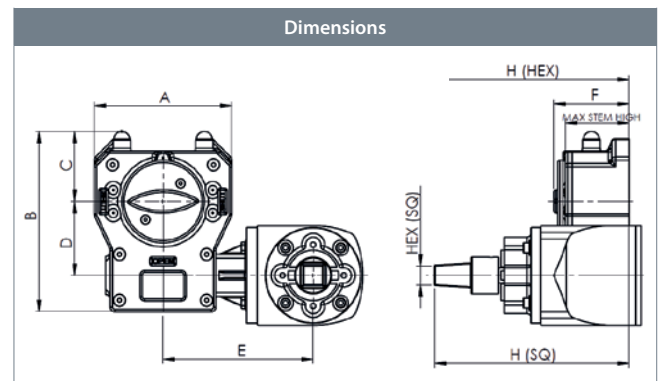
Type 60065 - Reduced bore

BROEN-Gear, Bevel gear with telescopic extender

BROEN-Gear is a strong high quality bevel-gearbox. The gear is equipped with an angle that makes top operation possible and this makes it well suited for well valves.

If the valve is located very deep in the ground, a telescopic extender can be mounted. This extender is available in three lengths that can be combined with all gear boxes.

Telescopic extender in three sizes:
500-850 mm, 851-1500 mm and 1501-2500 mm.



DN	BROEN No.	net Weight kg	All dimensions in mm							H (SQ)	SQ
			A	B	C	D	E	F			
200	600651	13.0	138	205	100	71	171	88	214.5	27/32	
250	600652	17.0	200	242	116	86	181	93	214.5	27/32	
300	600653	26.0	220	270	122	105	197	102	214.5	27/32	
350	600653	26.0	220	270	122	105	197	102	214.5	27/32	
400	600654	49.5	285	323	143	130	336	123	214.5	27/32	
500	600655	68.2	370	408	170	182	388	139	214.5	27/32	

Telescopic extension for Bevel gear - DN200-500

Type - **Reduced bore**



Telescopic extension

BROEN telescopic extension for bevel gear, only for gears with SQ operation.

DN	BROEN No.	Length - cm	Operation - square
200-500	-	500-850	27/32
200-500	-	851-1500	27/32
200-500	-	1501-2500	27/32

BROEN Ballomax® Repair set - DN20-200

Type 600... - Reduced bore

BROEN Ballomax® Repair set

Repair set, contains packing set for stem and tools.



DN - HEX with backstop.	BROEN No.
20-80	600262
100	600263
125-150	600264
200	600269

BROEN Ballomax[®] Repair set - DN200-500

Type 600... - Reduced bore

BROEN Ballomax[®] Repair set

Repair set, contains packing set for stem and tools.



DN - ISO-flange	BROEN No.
200	600266
250-300	600265
400	600267
500	600268

Pressure and temperature graph - DN10-500

Reduced bore

Pressure drop graph - DN10-500

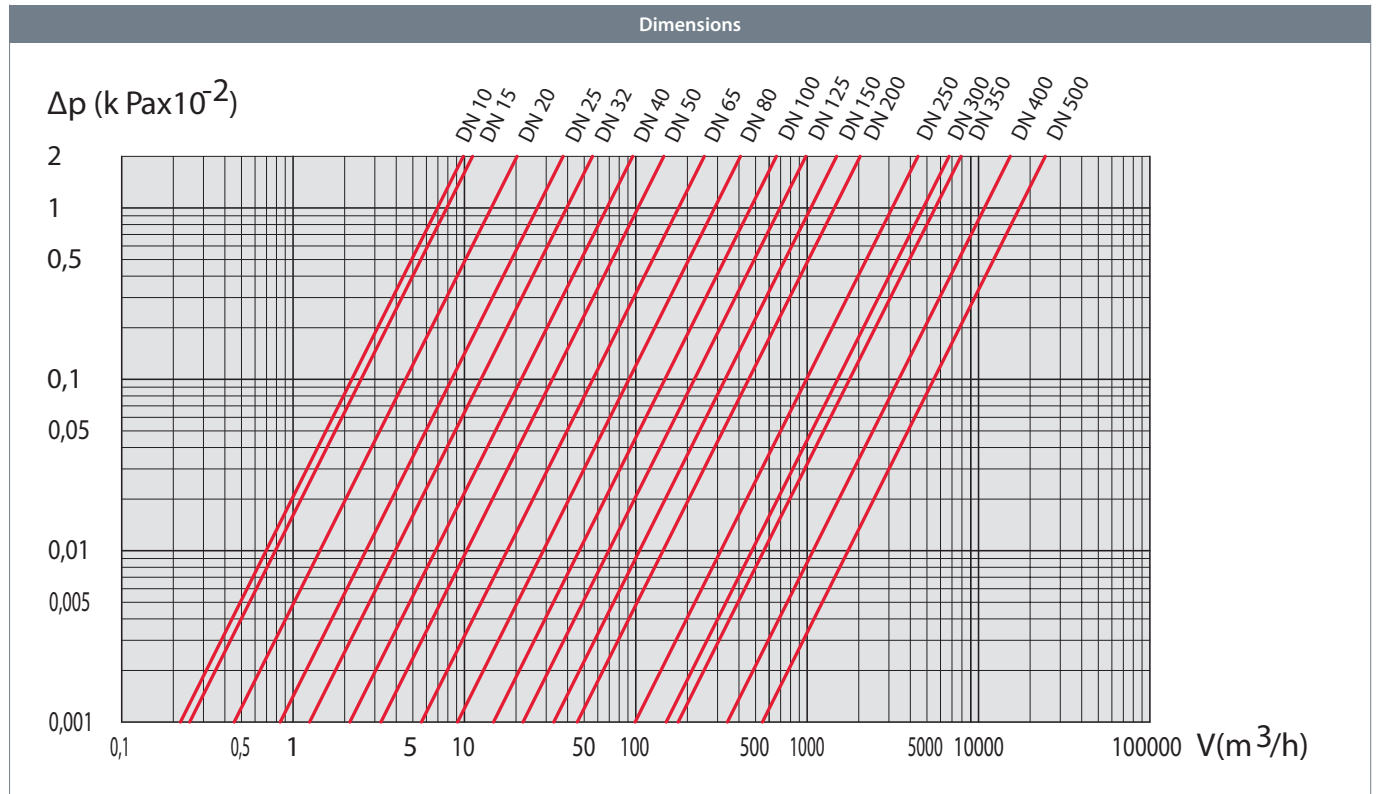
Reduced bore

Pressure drop graph

Ball valve in fully open position.
Medium: water density in 1000 kg/m³

Definitions

Kvs: M³ water per hour at pressure drop 1 bar.



DN	10	15	20	25	32	40	50	65	80	100	125	150	200	250	300	350	400	500
Kvs	7	8	15	27	40	69	110	180	288	470	699	1046	1500	5300	8200	8900	13700	20300

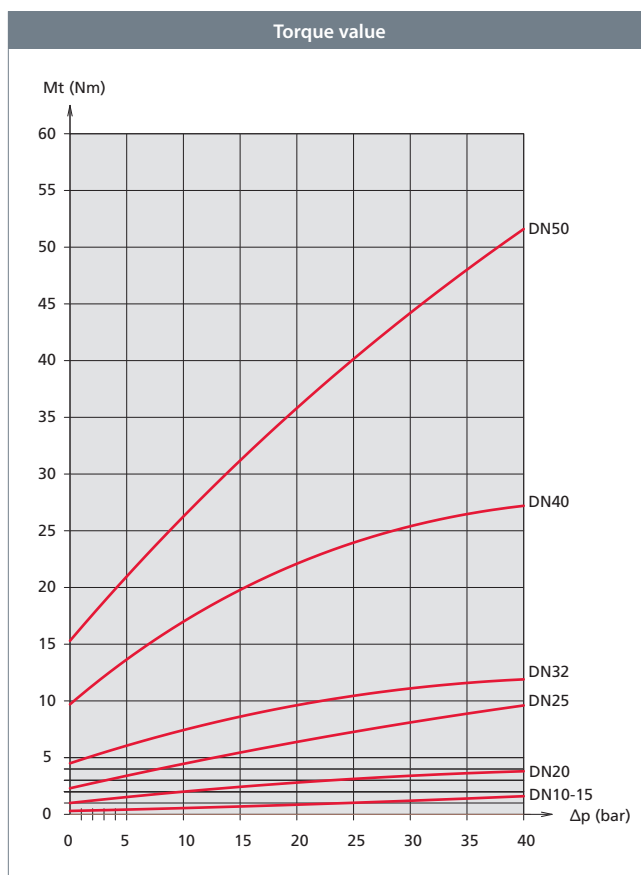
Operating torque - DN10-50, PN40

Reduced bore

Operating torque

The torque stated is for guidance only; it has been obtained by measuring on new ball valves. The torque is to be understood as the pull-off torque applicable for a closed, but recently activated ball valve.

The value stated may rise to a factor of 1.5 after a long period of inactivity.



EX

BALLOMAX®

Additional - Technical data

Operating torque - DN65-500, PN25

Reduced bore**Operating torque**

The torque stated is for guidance only; it has been obtained by measuring on new ball valves. The torque is to be understood as the pull-off torque applicable for a closed, but recently activated ball valve.

The value stated may rise to a factor of 1.5 after a long period of inactivity.

Torque value

Mt (Nm) DN 65-300 PN25

Δp (bar)	DN300-350	DN250	DN200	DN150	DN125	DN100	DN80	DN65
0	350	250	150	100	80	60	40	30
5	600	400	250	180	120	90	60	45
10	850	550	350	250	150	110	70	55
15	1050	700	450	320	170	120	80	60
20	1150	780	500	380	190	130	90	65
25	1200	820	550	420	200	140	100	70

Mt (Nm)

Δp (bar)	DN500	DN400
0	3000	2000
5	5000	2500
10	7000	3000
15	9000	3500
20	11000	4000
25	13000	4500

www.broen.com

BROEN
 VALVE TECHNOLOGIES

16.4-5

ME

