



BALLOMAX[®]

DESIGNED TO LAST



SECTION 10
Butterfly valves

Butterfly valve - DN80-450, PN25

Type 65102

Welding × Welding with BROEN-Gear

Butterfly ventil.

Materials

See next page.

Applications

Isolating valve for heating systems, district heating, cooling and industrial purpose.

Media

Water, air and other media not decomposing the steel. If in doubt, please contact BROEN Ballomax® Sales Department.

Surface treatment

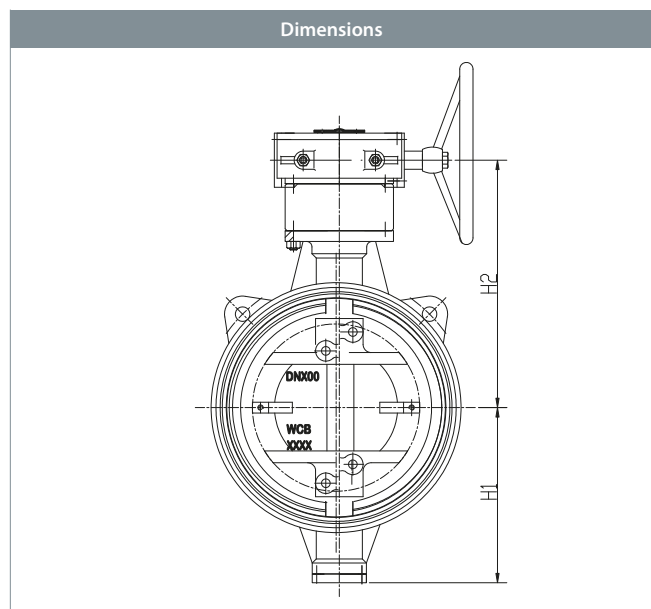
Eco-friendly protection finish against corrosion.

Operation

BROEN-Gear.

Approvals and certificates

BROEN is certified according to ISO 9001 and environmentally certified according to ISO 14001. BROEN Ballomax® is approved according to the requirements of Pressure Equipment Directive (PED). The 3.1 certificate is available upon request.



DN	BROEN No.	Bore	Kvs	net Weight kg	All dimensions in mm				ISO
					D1	L	H1	H2	
80	6510225080GBPSS	82	164	12	89	180	85	205	F07
100	6510225100GBPSS	106	250	22	114	190	100	225	F07
125	6510225125GBPSS	132	414	25	140	200	110	276	F10
150	6510225150GBPSS	159	682	32	168	210	180	296	F10
200	6510225200GBPSS	206	1300	55	219	230	220	357	F12
250	6510225250GBPSS	259	2200	66	273	250	240	392	F12
300	6510225300GBPSS	308	3370	95	324	270	270	422	F14
350	6510225350GBPSS	340	4432	150	356	290	305	473	F16
400	6510225400GBPSS	388	6411	180	406	310	335	518	F16
450	6510225450GBPSS	439	8660	250	457	330	365	548	F25

Butterfly valve - DN80-450, PN25



Type 65102

Technical drawing		Material description	
	1	Bottom Cover	ASTM A216 Gr. WCB
	2	Screws	ASTM A193 Gr. B7
	3	Gasket	304 + Graphite
	4	Valve body	ASTM A216 Gr. WCB
	5	Disc seat	304 + Graphite
	6	Retaining ring	ASTM A105
	7	Disc	ASTM216 Gr. WCB
	8	Stem	ASTM A564 Gr. 630 (17-4PH)
	9	Taper pin	ASTM A276 Gr. 410
	10	Screws	ASTM A193 Gr. B7
	11	Body seat	D507Mo (surfacing)
	12	Bushing	SF-1
	13	Packing	Graphite
	14	Gland	ASTM A216 Gr. WCB
	15	Gland Studs	ASTM A193 Gr. B7
	16	Gland Nuts	ASTM A194 Gr. 2H
	17	Yoke Studs	ASTM A193 Gr. B7
	18	Yoke Nuts	ASTM A194 Gr. 2H
	19	Yoke	ASTM A216 Gr. WCB
	20	Wormgear	Assembly set
	21	Handwheel	ASTM A216 Gr. WCB

Butterfly valve - DN500-1000, PN25

Type 65102

Welding × Welding with BROEN-Gear

Butterfly ventil.

Materials

See next page.

Applications

Isolating valve for heating systems, district heating, cooling and industrial purpose.

Media

Water, air and other media not decomposing the steel. If in doubt, please contact BROEN Ballomax® Sales Department.

Surface treatment

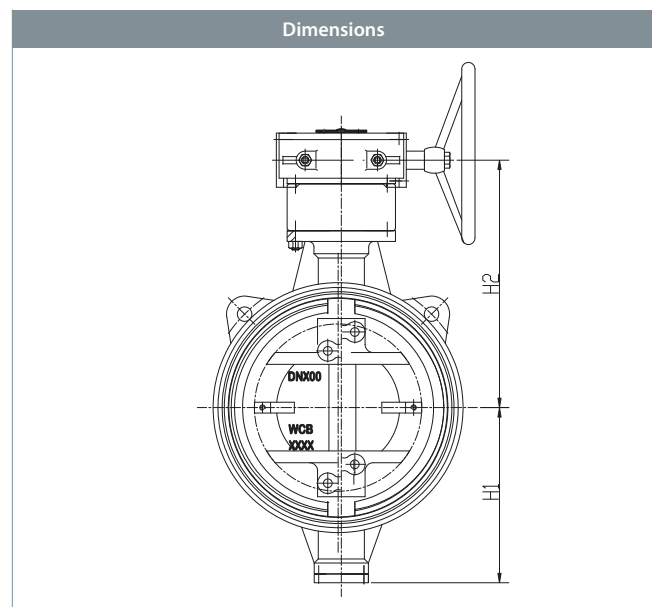
Eco-friendly protection finish against corrosion.

Operation

BROEN-Gear.

Approvals and certificates

BROEN is certified according to ISO 9001 and environmentally certified according to ISO 14001. BROEN Ballomax® is approved according to the requirements of Pressure Equipment Directive (PED). The 3.1 certificate is available upon request.



DN	BROEN No.	Bore	Kvs	net Weight kg	All dimensions in mm				ISO
					D1	L	H1	H2	
500	6510225500GBPSS	488	10320	400	508	350	400	680	F25
600	6510225600GBPSS	589	16012	640	610	390	485	730	F30
700	6510225700GBPSS	683	25235	820	711	430	530	862	F30
800	6510225800GBPSS	781	31771	1200	813	470	640	972	F35
900	6510225900GBPSS	879	37594	1650	914	510	690	1040	F35
1000	6510225001GBPSS	976	54201	1800	1016	550	760	1135	F40

Butterfly valve - DN500-1000, PN25



Type 65102

Technical drawing	Material description		
	1	Bottom Cover	ASTM A216 Gr. WCB
	2	Screws	ASTM A193 Gr. B7
	3	Gasket	304 + Graphite
	4	Thrust ring	ASTM A29 Gr. 1035
	5	Valve body	ASTM A216 Gr. WCB
	6	Disc seat	304 + Graphite
	7	Retaining ring	ASTM A105
	8	Disc	ASTM216 Gr. WCB
	9	Stem	ASTM A564 Gr. 630 (17-4PH)
	10	Taper pin	ASTM A276 Gr. 410
	11	Screws	ASTM A193 Gr. B7
	12	Body seat	D507Mo (surfacing)
	13	Bushing	SF-1
	14	Packing	Graphite
	15	Gland	ASTM A216 Gr. WCB
	16	Gland Studs	ASTM A193 Gr. B7
	17	Gland Nuts	ASTM A194 Gr. 2H
	18	Yoke Studs	ASTM A193 Gr. B7
	19	Yoke Nuts	ASTM A194 Gr. 2H
	20	Yoke	ASTM A216 Gr. WCB
	21	Wormgear	Assembly set
	22	Handwheel	ASTM A216 Gr. WCB

Butterfly valve - DN80-450, PN25

Type 65103

Flange × Flange with BROEN-Gear

Butterfly ventil.

Materials

See next page.

Applications

Isolating valve for heating systems, district heating, cooling and industrial purpose.

Media

Water, air and other media not decomposing the steel. If in doubt, please contact BROEN Ballomax® Sales Department.

Surface treatment

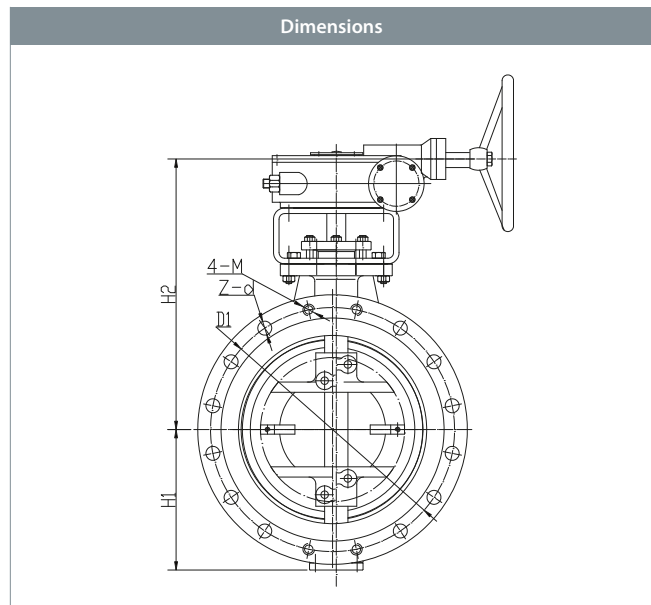
Eco-friendly protection finish against corrosion.

Operation

BROEN-Gear.

Approvals and certificates

BROEN is certified according to ISO 9001 and environmentally certified according to ISO 14001. BROEN Ballomax® is approved according to the requirements of Pressure Equipment Directive (PED). The 3.1 certificate is available upon request.



DN	BROEN No.	Bore	Kvs	net Weight kg	All dimensions in mm				ISO
					D	L	H1	H2	
80	6510325080GBPSS	80	164	22	200	114	100	205	F07
100	6510325100GBPSS	105	250	32	235	127	118	225	F07
125	6510325125GBPSS	125	414	39	270	140	135	276	F10
150	6510325150GBPSS	155	682	45	300	140	175	296	F10
200	6510325200GBPSS	205	1300	77	360	152	185	370	F12
250	6510325250GBPSS	255	2200	100	425	165	220	400	F12
300	6510325300GBPSS	305	3370	156	485	178	250	455	F14
350	6510325350GBPSS	355	4432	200	555	190	283	515	F16
400	6510325400GBPSS	405	6411	290	620	216	325	540	F16
450	6510325450GBPSS	455	8660	350	670	222	345	570	F25

Butterfly valve - DN80-450, PN25



Type 65103

Technical drawing		Material description	
	1	Bottom Cover	ASTM A216 Gr. WCB
	2	Screws	ASTM A193 Gr. B7
	3	Gasket	304 + Graphite
	4	Valve body	ASTM A216 Gr. WCB
	5	Disc seat	304 + Graphite
	6	Retaining ring	ASTM A105
	7	Disc	ASTM216 Gr. WCB
	8	Stem	ASTM A564 Gr. 630 (17-4PH)
	9	Taper pin	ASTM A276 Gr. 410
	10	Screws	ASTM A193 Gr. B7
	11	Body seat	D507Mo (surfacing)
	12	Bushing	SF-1
	13	Packing	Graphite
	14	Gland	ASTM A216 Gr. WCB
	15	Gland Studs	ASTM A193 Gr. B7
	16	Gland Nuts	ASTM A194 Gr. 2H
	17	Yoke Studs	ASTM A193 Gr. B7
	18	Yoke Nuts	ASTM A194 Gr. 2H
	19	Yoke	ASTM A216 Gr. WCB
	20	Wormgear	Assembly set
	21	Handwheel	ASTM A216 Gr. WCB

Butterfly valve - DN500-1000, PN25

Type 65103

Flange × Flange with BROEN-Gear

Butterfly ventil.

Materials

See next page.

Applications

Isolating valve for heating systems, district heating, cooling and industrial purpose.

Media

Water, air and other media not decomposing the steel. If in doubt, please contact BROEN Ballomax® Sales Department.

Surface treatment

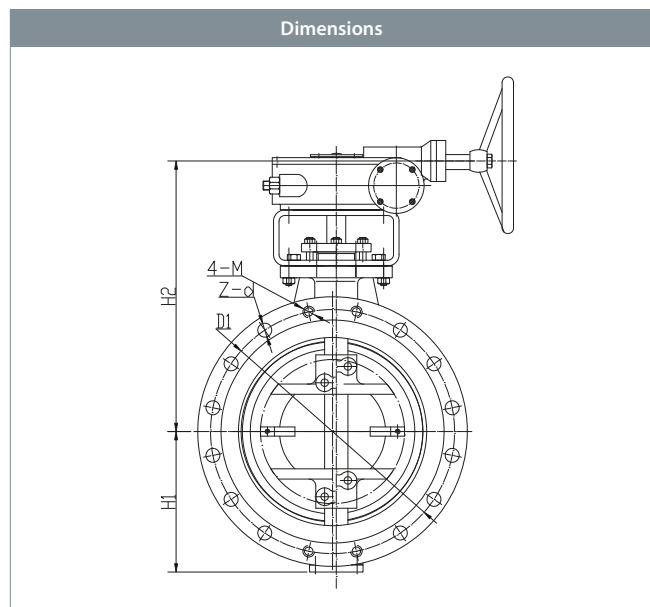
Eco-friendly protection finish against corrosion.

Operation

BROEN-Gear.

Approvals and certificates

BROEN is certified according to ISO 9001 and environmentally certified according to ISO 14001. BROEN Ballomax® is approved according to the requirements of Pressure Equipment Directive (PED). The 3.1 certificate is available upon request.



DN	BROEN No.	Bore	Kvs	net Weight kg	All dimensions in mm				ISO
					D	L	H1	H2	
500	6510325500GBPSS	505	10320	370	730	229	375	690	F25
600	6510325600GBPSS	605	16012	530	845	267	435	750	F30
700	6510325700GBPSS	705	25235	900	960	292	545	905	F30
800	6510325800GBPSS	805	31771	1100	1085	318	625	975	F35
900	6510325900GBPSS	900	37594	1250	1185	330	645	1020	F35
1000	6510325001GBPSS	1000	54201	1900	1320	410	725	1130	F40

Butterfly valve - DN500-1000, PN25



Type 65103

Technical drawing		Material description	
	1	Bottom Cover	ASTM A216 Gr. WCB
	2	Screws	ASTM A193 Gr. B7
	3	Gasket	304 + Graphite
	4	Thrust ring	ASTM A29 Gr. 1035
	5	Valve body	ASTM A216 Gr. WCB
	6	Disc seat	304 + Graphite
	7	Retaining ring	ASTM A105
	8	Disc	ASTM216 Gr. WCB
	9	Stem	ASTM A564 Gr. 630 (17-4PH)
	10	Taper pin	ASTM A276 Gr. 410
	11	Screws	ASTM A193 Gr. B7
	12	Body seat	D507Mo (surfacing)
	13	Bushing	SF-1
	14	Packing	Graphite
	15	Gland	ASTM A216 Gr. WCB
	16	Gland Studs	ASTM A193 Gr. B7
	17	Gland Nuts	ASTM A194 Gr. 2H
	18	Yoke Studs	ASTM A193 Gr. B7
	19	Yoke Nuts	ASTM A194 Gr. 2H
	20	Yoke	ASTM A216 Gr. WCB
	21	Wormgear	Assembly set
	22	Handwheel	ASTM A216 Gr. WCB

Butterfly valve - DN80-450, PN25

Type 65124

Wafer type with BROEN-Gear

Butterfly ventil.

Materials

See next page.

Applications

Isolating valve for heating systems, district heating, cooling and industrial purpose.

Media

Water, air and other media not decomposing the steel. If in doubt, please contact BROEN Ballomax® Sales Department.

Surface treatment

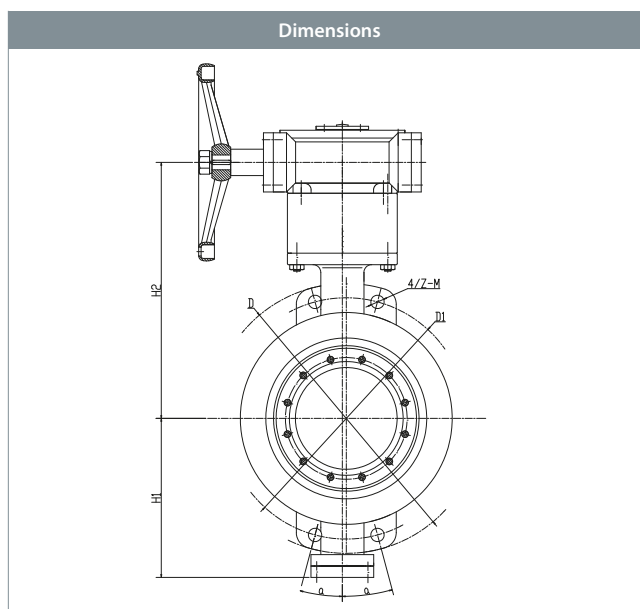
Eco-friendly protection finish against corrosion.

Operation

BROEN-Gear.

Approvals and certificates

BROEN is certified according to ISO 9001 and environmentally certified according to ISO 14001. BROEN Ballomax® is approved according to the requirements of Pressure Equipment Directive (PED). The 3.1 certificate is available upon request.



DN	BROEN No.	Bore	Kvs	net Weight kg	All dimensions in mm						ISO
					D	D1	D2	L	H1	H2	
80	6512425080GBPSS	80	164	10	200	160	138	64	100	195	F07
100	6512425100GBPSS	100	250	18	235	190	162	64	110	215	F07
125	6512425125GBPSS	125	414	25	270	220	188	70	135	270	F10
150	6512425150GBPSS	150	682	30	300	250	218	76	175	290	F10
200	6512425200GBPSS	200	1300	38	360	310	278	89	185	330	F12
250	6512425250GBPSS	250	2200	60	425	370	335	114	215	375	F12
300	6512425300GBPSS	300	3370	88	485	430	395	114	250	440	F14
350	6512425350GBPSS	350	4432	140	555	490	450	127	285	455	F16
400	6512425400GBPSS	400	6411	185	620	550	505	140	325	510	F16
450	6512425450GBPSS	450	8660	240	670	600	555	152	345	550	F25

Butterfly valve - DN80-450, PN25



Type 65124

Technical drawing	Material description		
	1	Bottom Cover	ASTM A216 Gr. WCB
	2	Screws	ASTM A193 Gr. B7
	3	Gasket	304 + Graphite
	4	Valve body	ASTM A216 Gr. WCB
	5	Disc seat	304 + Graphite
	6	Retaining ring	ASTM A105
	7	Disc	ASTM216 Gr. WCB
	8	Stem	ASTM A564 Gr. 630 (17-4PH)
	9	Taper pin	ASTM A276 Gr. 410
	10	Screws	ASTM A193 Gr. B7
	11	Body seat	D507Mo (surfacing)
	12	Bushing	SF-1
	13	Packing	Graphite
	14	Gland	ASTM A216 Gr. WCB
	15	Gland Studs	ASTM A193 Gr. B7
	16	Gland Nuts	ASTM A194 Gr. 2H
	17	Yoke Studs	ASTM A193 Gr. B7
	18	Yoke Nuts	ASTM A194 Gr. 2H
	19	Yoke	ASTM A216 Gr. WCB
	20	Wormgear	Assembly set
	21	Handwheel	ASTM A216 Gr. WCB

Butterfly valve - DN500-1000, PN25

Type 65124

Wafer type with BROEN-Gear

Butterfly ventil.

Materials

See next page.

Applications

Isolating valve for heating systems, district heating, cooling and industrial purpose.

Media

Water, air and other media not decomposing the steel. If in doubt, please contact BROEN Ballomax® Sales Department.

Surface treatment

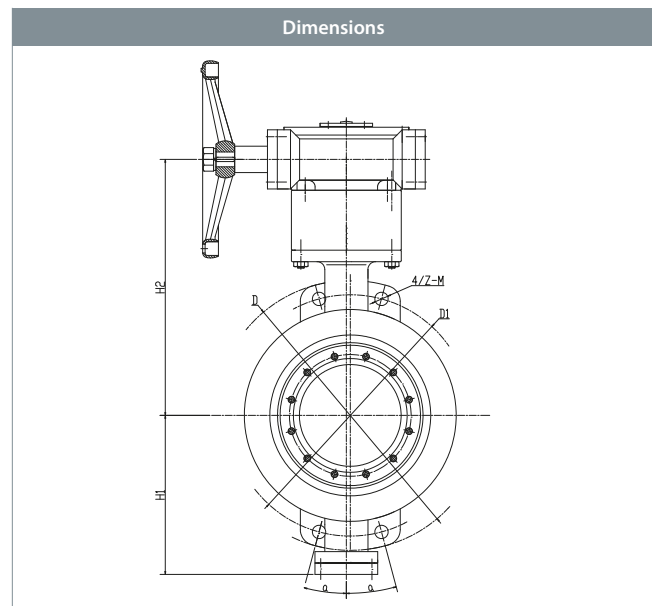
Eco-friendly protection finish against corrosion.

Operation

BROEN-Gear.

Approvals and certificates

BROEN is certified according to ISO 9001 and environmentally certified according to ISO 14001. BROEN Ballomax® is approved according to the requirements of Pressure Equipment Directive (PED). The 3.1 certificate is available upon request.



DN	BROEN No.	Bore	Kvs	net Weight kg	All dimensions in mm						ISO
					D	D1	D2	L	H1	H2	
500	6512425500GBPSS	500	10320	295	730	660	615	152	375	635	F25
600	6512425600GBPSS	600	16012	395	845	770	720	178	430	685	F30
700	6512425700GBPSS	700	25235	470	960	875	820	229	540	735	F30
800	6512425800GBPSS	800	31771	710	1085	990	930	241	710	850	F35
900	6512425900GBPSS	900	37594	840	1185	1090	1030	241	650	890	F35
1000	6512425001GBPSS	1000	54201	1200	1320	1210	1140	300	720	920	F40

Butterfly valve - DN500-1000, PN25



Type 65124

Technical drawing		Material description	
	1	Bottom Cover	ASTM A216 Gr. WCB
	2	Screws	ASTM A193 Gr. B7
	3	Gasket	304 + Graphite
	4	Thrust ring	ASTM A29 Gr. 1035
	5	Valve body	ASTM A216 Gr. WCB
	6	Disc seat	304 + Graphite
	7	Retaining ring	ASTM A105
	8	Disc	ASTM216 Gr. WCB
	9	Stem	ASTM A564 Gr. 630 (17-4PH)
	10	Taper pin	ASTM A276 Gr. 410
	11	Screws	ASTM A193 Gr. B7
	12	Body seat	D507Mo (surfacing)
	13	Bushing	SF-1
	14	Packing	Graphite
	15	Gland	ASTM A216 Gr. WCB
	16	Gland Studs	ASTM A193 Gr. B7
	17	Gland Nuts	ASTM A194 Gr. 2H
	18	Yoke Studs	ASTM A193 Gr. B7
	19	Yoke Nuts	ASTM A194 Gr. 2H
	20	Yoke	ASTM A216 Gr. WCB
	21	Wormgear	Assembly set
	22	Handwheel	ASTM A216 Gr. WCB

