



BALLOMAX[®]

DESIGNED TO LAST



SECTION 9
Monoblock and
short valves
Full bore

Monoblock and short valve - DN15-32, PN40/25/16

Type 94103 - Full bore

Monoblok single - Wafer type

Fully welded steel ball valve.

Materials

See next page.

Applications

Isolating valve for heating systems, district heating, cooling and industrial purpose.

Media

Water and other media not decomposing the steel. If in doubt, please contact BROEN Ballomax® Sales Department.

Surface treatment

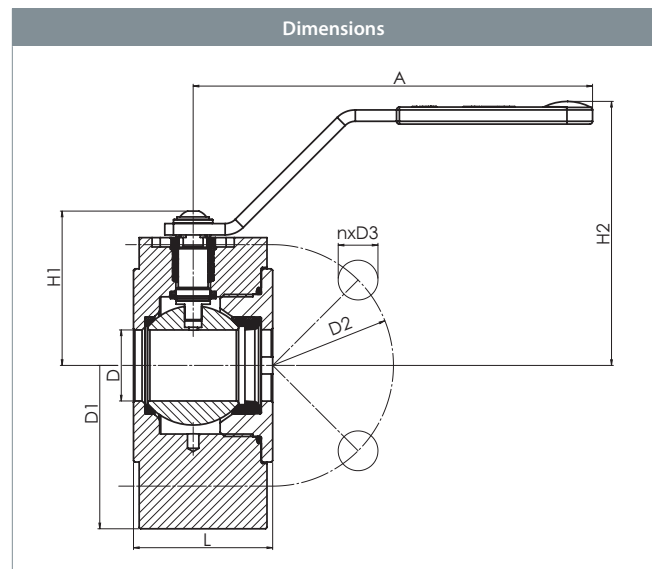
Eco-friendly protection finish against corrosion.

Operation

The standard handle is 180 degrees adjustable.

Approvals and certificates

BROEN is certified according to ISO 9001 and environmentally certified according to ISO 14001. BROEN Ballomax® is approved according to the requirements of Pressure Equipment Directive (PED). All ball valves as from DN40 are CE-marked. The 3.1 certificate is available upon request.



DN	BROEN No.	D = Bore	Kvs	net Weight kg	All dimensions in mm							
					L	D1	D2	A	H1	H2	D3	n
15	9410340015WZ	15	32	1.8	40	95	65	140	46	85	14	4
20	9410340020WZ	20	57	2.8	46	105	75	140	50	88	14	4
25	9410340025WZ	25	81	3.2	49	115	85	140	54	93	14	4
32	9410340032WZ	32	133	5.5	62	140	100	167	71	109	18	4

Monoblock and short valve - DN15-32, PN40/25/16

Type 94103 - Full bore



Technical drawing		Material description	
	1	Ball	Steel - SA351Gr CF8
	2	Valve body	Steel - S355J2C
	3	Seat ring	PTFE 20% Carbon
	4	Back-up ring	PTFE 20% Carbon
	5	O-ring	EPDM
	6	O-ring	FKM (Viton)
	7	Handle	Steel

Monoblock and short valve - DN15-32, PN40/25/16

Type 94103 - Full bore

Monoblok single - Wafer type with ISO-flange

Fully welded steel ball valve.

Materials

See next page.

Applications

Isolating valve for heating systems, district heating, cooling and industrial purpose.

Media

Water and other media not decomposing the steel. If in doubt, please contact BROEN Ballomax® Sales Department.

Surface treatment

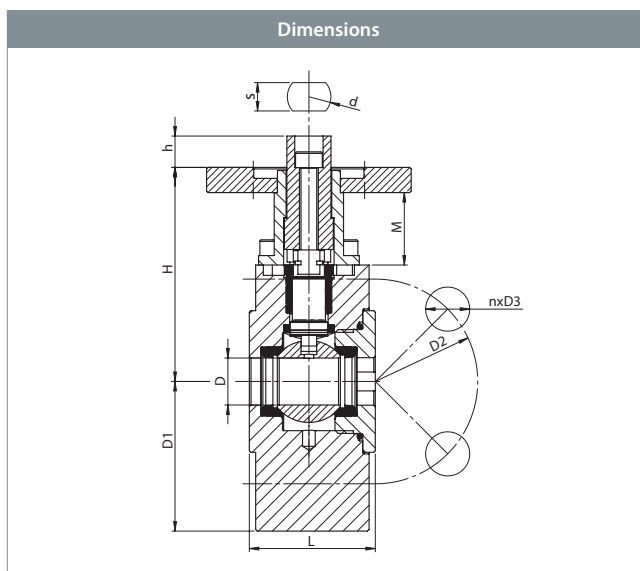
Eco-friendly protection finish against corrosion.

Operation

The standard handle is 180 degrees adjustable.

Approvals and certificates

BROEN is certified according to ISO 9001 and environmentally certified according to ISO 14001. BROEN Ballomax® is approved according to the requirements of Pressure Equipment Directive (PED). All ball valves as from DN40 are CE-marked. The 3.1 certificate is available upon request.



DN	BROEN No.	D = Bore	Kvs	net Weight kg	All dimensions in mm							D3	n	ISO
					L	D1	D2	d/s	h	H	M			
15	9410340015WZ 90	15	32	1.9	40	95	65	14/10	10	68	23	14	4	F5
20	9410340020WZ 90	20	57	2.6	46	105	75	14/10	10	71	23	14	4	F5
25	9410340025WZ 90	25	81	3.3	49	115	85	14/10	10	76	23	14	4	F5
32	9410340032WZ 90	32	133	5.9	62	140	100	16/11	10	91	23	18	4	F5

ISO-flange acc. ISO5211.

Monoblock and short valve - DN15-32, PN40/25/16

Type 94103 - Full bore



Technical drawing		Material description	
	1	Ball	Steel - SA351Gr CF8
	2	Valve body	Steel - S355J2C
	3	Seat ring	PTFE 20% Carbon
	4	Back-up ring	PTFE 20% Carbon
	5	O-ring	EPDM
	6	O-ring	FKM (Viton)
	8	ISO-flange	Steel - S355J2C

Monoblock and short valve - DN40-80, PN16

Type 94103 - Full bore

Flange × Flange

Fully welded steel ball valve.

Materials

See next page.

Applications

Isolating valve for heating systems, district heating, cooling and industrial purpose.

Media

Water and other media not decomposing the steel. If in doubt, please contact BROEN Ballomax® Sales Department.

Surface treatment

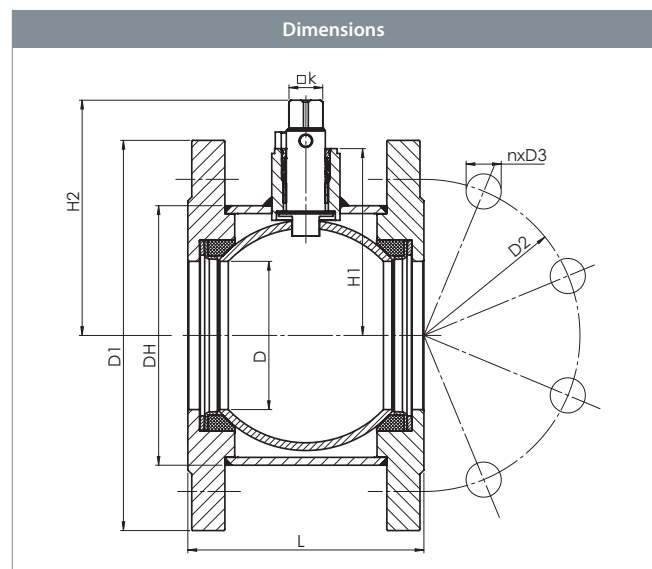
Eco-friendly protection finish against corrosion.

Operation

The standard handle is 180 degrees adjustable.

Approvals and certificates

BROEN is certified according to ISO 9001 and environmentally certified according to ISO 14001. BROEN Ballomax® is approved according to the requirements of Pressure Equipment Directive (PED). All ball valves as from DN40 are CE-marked. The 3.1 certificate is available upon request.



DN	BROEN No.	D = Bore	Kvs	net Weight kg	All dimensions in mm								
					L	DH	D1	D2	□ k	H1	H2	D3	n
40	9410316040WZ	39	229	4.3	77	76	150	110	11	70	87	18	4
50	9410316050WZ	49	295	5.6	86	89	165	125	11	77	94	18	4
65	9410316065WZ	63	498	7.6	106	114	185	145	14	88	113	18	8
80	9410316080WZ	76	754	9.2	121	133	200	160	14	96	121	18	8

Monoblock and short valve - DN40-80, PN16



Type 94103 - Full bore

Technical drawing		Material description		
	1	Ball	Steel - SA351Gr CF8	
	2	Valve body	Steel - S355J2C	
	3	Seat ring	PTFE 20% Carbon	
	4	Back-up ring	PTFE 20% Carbon	
	5	O-ring	EPDM	
	6	O-ring	FKM (Viton)	
	9	Flange	Steel - S355J2C	

Monoblock and short valve - DN40-80, PN16

Type 94103 - Full bore

Flange × Flange

Fully welded steel ball valve.

Materials

See next page.

Applications

Isolating valve for heating systems, district heating, cooling and industrial purpose.

Media

Water and other media not decomposing the steel. If in doubt, please contact BROEN Ballomax® Sales Department.

Surface treatment

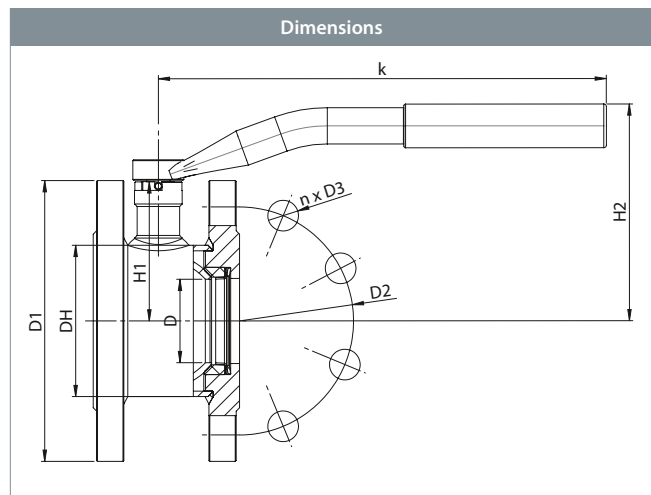
Eco-friendly protection finish against corrosion.

Operation

The standard handle is 180 degrees adjustable.

Approvals and certificates

BROEN is certified according to ISO 9001 and environmentally certified according to ISO 14001. BROEN Ballomax® is approved according to the requirements of Pressure Equipment Directive (PED). All ball valves as from DN40 are CE-marked. The 3.1 certificate is available upon request.



DN	BROEN No.	D = Bore	Kvs	net Weight kg	All dimensions in mm								
					L	DH	D1	D2	□ k	H1	H2	D3	n
40	9410316040WZ 01	39	229	4.5	77	76	150	110	177	70	127	18	4
50	9410316050WZ 01	49	295	5.7	86	89	165	125	177	77	134	18	4
65	9410316065WZ 01	63	498	8.0	106	114	185	145	190	88	158	18	8
80	9410316080WZ 01	76	754	9.6	121	133	200	160	190	96	166	18	8

Monoblock and short valve - DN40-80, PN16

Type 94103 - Full bore



Technical drawing		Material description	
	1	Ball	Steel - SA351Gr CF8
	2	Valve body	Steel - S355J2C
	3	Seat ring	PTFE 20% Carbon
	4	Back-up ring	PTFE 20% Carbon
	5	O-ring	EPDM
	6	O-ring	FKM (Viton)
	7	Handle	Steel
	9	Flange	Steel - S355J2C

Monoblock and short valve - DN40-80, PN16

Type 94103 - Full bore

Flange × Flange with ISO-flange

Fully welded steel ball valve.

Materials

See next page.

Applications

Isolating valve for heating systems, district heating, cooling and industrial purpose.

Media

Water and other media not decomposing the steel. If in doubt, please contact BROEN Ballomax® Sales Department.

Surface treatment

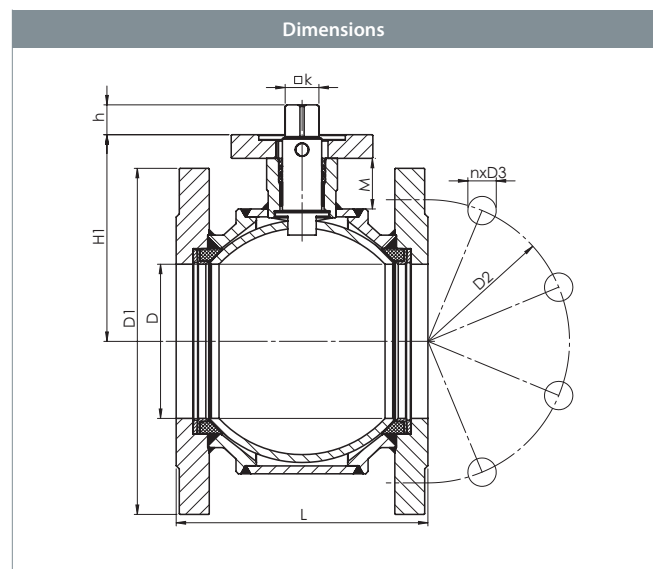
Eco-friendly protection finish against corrosion.

Operation

The standard handle is 180 degrees adjustable.

Approvals and certificates

BROEN is certified according to ISO 9001 and environmentally certified according to ISO 14001. BROEN Ballomax® is approved according to the requirements of Pressure Equipment Directive (PED). All ball valves as from DN40 are CE-marked. The 3.1 certificate is available upon request.



DN	BROEN No.	D = Bore	Kvs	net Weight kg	All dimensions in mm								D3	n	ISO
					L	D1	D2	□ k	h	H	M				
40	9410316040WZ 90	39	229	4.6	77	150	110	11	11.5	100	52	18	4	F5	
50	9410316050WZ 90	49	295	5.9	86	165	125	11	11.5	108	53	18	4	F5	
65	9410316065WZ 90	63	498	7.9	106	185	145	14	15.5	118	50	18	8	F5	
80	9410316080WZ 90	76	754	9.5	121	200	160	14	15.5	125	49	18	8	F5	

ISO-flange acc. ISO5211.

Monoblock and short valve - DN40-80, PN16



Type 94103 - Full bore

Technical drawing		Material description	
	1	Ball	Steel - SA351Gr CF8
	2	Valve body	Steel - S355J2C
	3	Seat ring	PTFE 20% Carbon
	4	Back-up ring	PTFE 20% Carbon
	5	O-ring	EPDM
	6	O-ring	FKM (Viton)
	8	ISO-flange	Steel - S355J2C
	9	Flange	Steel - S355J2C

Monoblock and short valve - DN100-150, PN16

Type 94103 - Full bore

Flange × Flange

Fully welded steel ball valve.

Materials

See next page.

Applications

Isolating valve for heating systems, district heating, cooling and industrial purpose.

Media

Water and other media not decomposing the steel. If in doubt, please contact BROEN Ballomax® Sales Department.

Surface treatment

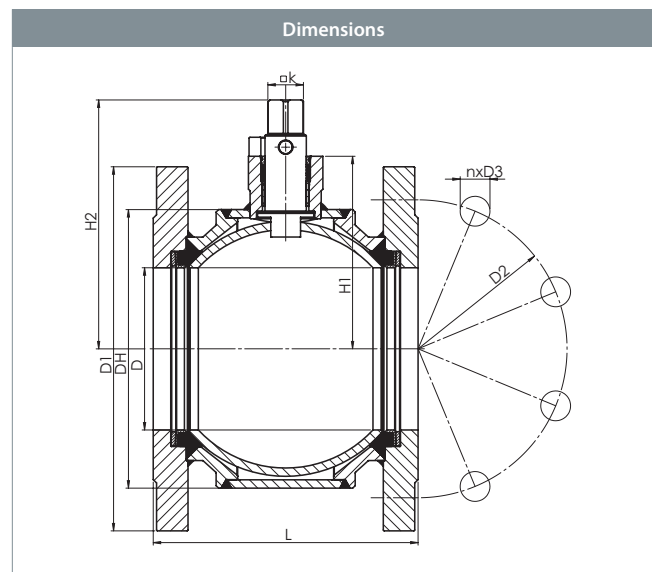
Eco-friendly protection finish against corrosion.

Operation

The standard handle is 180 degrees adjustable.

Approvals and certificates

BROEN is certified according to ISO 9001 and environmentally certified according to ISO 14001. BROEN Ballomax® is approved according to the requirements of Pressure Equipment Directive (PED). All ball valves as from DN40 are CE-marked. The 3.1 certificate is available upon request.



DN	BROEN No.	D = Bore	Kvs	net Weight kg	All dimensions in mm								
					L	DH	D1	D2	□ k	H1	H2	D3	n
100	9410316100WZ	98	1159	14.6	160	168.0	220	180	17	117.0	151.0	18	8
125	9410316125WZ	125	1841	22.6	186	219.0	250	210	17	147.0	183.0	18	8
150	9410316150WZ	150	2652	35.2	236	267.0	285	240	22	167.5	203.5	22	8
200	9410316200WZ	200	5720	61.3	292	323.9	340	295	22	200.0	237.0	22	12

Monoblock and short valve - DN100-150, PN16

Type 94103 - Full bore



Technical drawing		Material description		
	1	Ball	Steel - SA351Gr CF8	
	2	Valve body	Steel - S355J2C	
	3	Seat ring	PTFE 20% Carbon	
	4	Back-up ring	PTFE 20% Carbon	
	5	O-ring	EPDM	
	6	O-ring	FKM (Viton)	
	9	Flange	Steel - S355J2C	

Monoblock and short valve - DN100-150, PN16

Type 94103 - Full bore

Flange × Flange

Fully welded steel ball valve.

Materials

See next page.

Applications

Isolating valve for heating systems, district heating, cooling and industrial purpose.

Media

Water and other media not decomposing the steel. If in doubt, please contact BROEN Ballomax® Sales Department.

Surface treatment

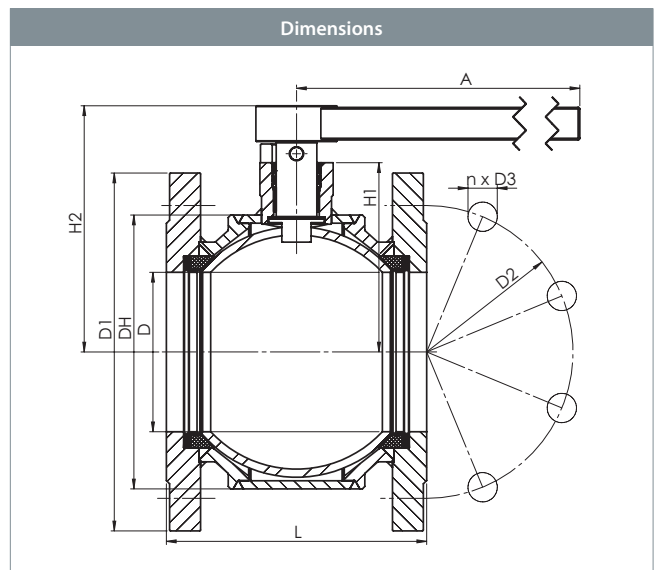
Eco-friendly protection finish against corrosion.

Operation

The standard handle is 180 degrees adjustable.

Approvals and certificates

BROEN is certified according to ISO 9001 and environmentally certified according to ISO 14001. BROEN Ballomax® is approved according to the requirements of Pressure Equipment Directive (PED). All ball valves as from DN40 are CE-marked. The 3.1 certificate is available upon request.



DN	BROEN No.	D = Bore	Kvs	net Weight kg	All dimensions in mm								
					L	DH	D1	D2	A	H1	H2	D3	n
100	9410316100WZ 01	98	1159	16.0	160	168.0	220	180	500	117	151	18	8
125	9410316125WZ 01	125	1841	24.1	186	219.0	250	210	500	147	183	18	8
150	9410316150WZ 01	150	2652	37.2	236	267.0	285	240	600	168	204	22	8
200	9410316200WZ 01	200	5720	62.4	292	323.9	340	295	600	200	237	22	12

Monoblock and short valve - DN100-150, PN16

Type 94103 - Full bore



Technical drawing		Material description	
	1	Ball	Steel - SA351Gr CF8
	2	Valve body	Steel - S355J2C
	3	Seat ring	PTFE 20% Carbon
	4	Back-up ring	PTFE 20% Carbon
	5	O-ring	EPDM
	6	O-ring	FKM (Viton)
	7	Handle	Steel
	8	ISO-flange	Steel - S355J2C
	9	Flange	Steel - S355J2C

Monoblock and short valve - DN100-200, PN16

Type 94103 - Full bore

Flange × Flange with ISO-flange

Fully welded steel ball valve.

Materials

See next page.

Applications

Isolating valve for heating systems, district heating, cooling and industrial purpose.

Media

Water and other media not decomposing the steel. If in doubt, please contact BROEN Ballomax® Sales Department.

Surface treatment

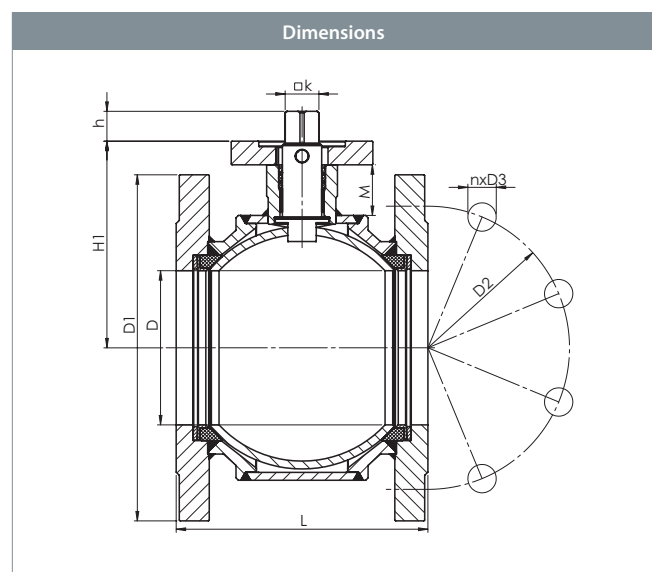
Eco-friendly protection finish against corrosion.

Operation

The standard handle is 180 degrees adjustable.

Approvals and certificates

BROEN is certified according to ISO 9001 and environmentally certified according to ISO 14001. BROEN Ballomax® is approved according to the requirements of Pressure Equipment Directive (PED). All ball valves as from DN40 are CE-marked. The 3.1 certificate is available upon request.



DN	BROEN No.	D = Bore	Kvs	net Weight kg	All dimensions in mm								D3	n	ISO
					L	D1	D2	□ k	h	H	M				
100	9410316100WZ 90	98	1159	15.0	160	220	180	17	22	128	34	18	8	F7	
125	9410316125WZ 90	125	1841	24.4	186	270	220	17	20	163	39	18	8	F12	
150	9410316150WZ 90	150	2652	36.9	236	285	240	22	21	203	35	22	8	F12	
200	9410316200WZ 90	195	5720	93.5	292	340	295	22	21	237	40	22	12	F12	

ISO-flange acc. ISO5211.

Monoblock and short valve - DN100-200, PN16



Type 94103 - Full bore

Technical drawing		Material description	
	1	Ball	Steel - SA351Gr CF8
	2	Valve body	Steel - S355J2C
	3	Seat ring	PTFE 20% Carbon
	4	Back-up ring	PTFE 20% Carbon
	5	O-ring	EPDM
	6	O-ring	FKM (Viton)
	8	ISO-flange	Steel - S355J2C
	9	Flange	Steel - S355J2C

Monoblock and short valve - DN100-200, PN16

Type 94103 - Full bore

Flange × Flange with ISO-flange and BROEN-Gear

Fully welded steel ball valve.

Materials

See next page.

Applications

Isolating valve for heating systems, district heating, cooling and industrial purpose.

Media

Water and other media not decomposing the steel. If in doubt, please contact BROEN Ballomax® Sales Department.

Surface treatment

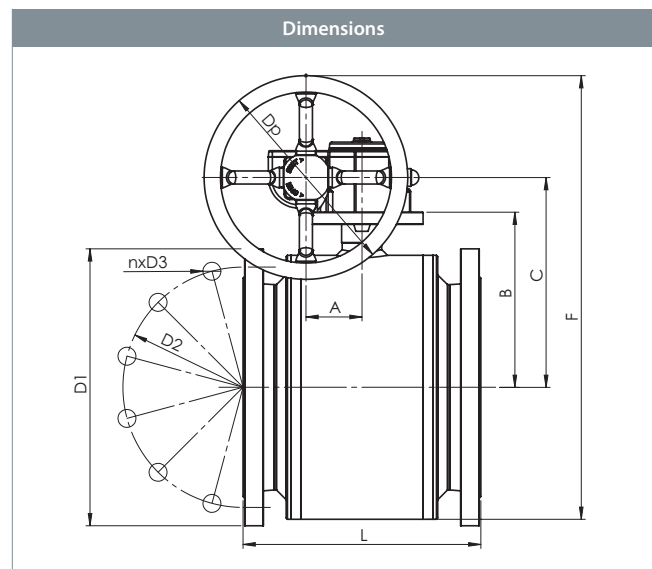
Eco-friendly protection finish against corrosion.

Operation

The standard handle is 180 degrees adjustable.

Approvals and certificates

BROEN is certified according to ISO 9001 and environmentally certified according to ISO 14001. BROEN Ballomax® is approved according to the requirements of Pressure Equipment Directive (PED). All ball valves as from DN40 are CE-marked. The 3.1 certificate is available upon request.



DN	BROEN No.	D = Bore	Kvs	net Weight kg	All dimensions in mm								D3	n	ISO
					L	D1	D2	DP	A	B	C	F			
100	9410316100WZ 99	98	1159	19.8	160	220	180	160	53	132	165	329	18	8	F7
125	9410316125WZ 99	125	1841	33.0	186	270	220	250	69	162	205	439	18	8	F12
150	9410316150WZ 99	150	2652	45.5	236	285	240	250	69	182	225	484	22	8	F12
200	9410316200WZ 99	195	5720	102.1	292	340	295	250	69	215	258	545	22	12	F12

Valve with gear is tested and prepared for use.

Monoblock and short valve - DN100-200, PN16



Type 94103 - Full bore

Technical drawing		Material description	
	1	Ball	Steel - SA351Gr CF8
	2	Valve body	Steel - S355J2C
	3	Seat ring	PTFE 20% Carbon
	9	Flange	Steel - S355J2C
	10	BROEN gearbox	-

