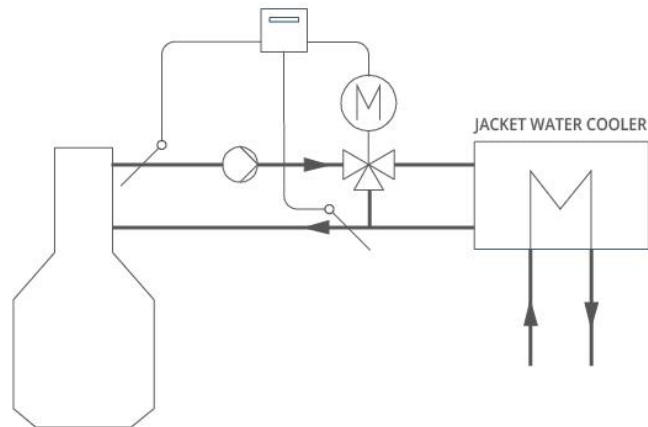


Engine Jacket Cooling Water System

Electric actuation



SOLUTION 7

(Principle only)



ELECTRIC ACTUATOR
3 POINT, ANALOGUE

3-WAY VALVE
DN 20 - DN 800

+



CONTROLLER ER3000
ELECTRIC

+



SENSOR PT100