

# BROEN

VALVE TECHNOLOGIES

## BROEN BALLOMAX® PRODUCT OVERVIEW

January 2026



**BROEN**  
BALLOMAX®

*Designed to Last*

**About BROEN**

About BROEN . . . . . 10  
 About BROEN BALLOMAX® . . . . . 10

**STEEL BALL VALVES**

**BROEN BALLOMAX® - Steel ball valves - Full bore**

DN 10 - 50	PN 25	Female	Female	High and low stem	11
DN 10 - 50	PN 25	Welding	Welding		11
DN 10 - 50	PN 25	Female	Welding	High and low stem.	12
DN 10 - 50	PN 25	Male	Welding		12
DN 15 - 25	PN 25	Welding	Male with cap and chain		13
DN 15 - 25	PN 25	Flange	Welding		13
DN 15 - 25	PN 25	Flange	Flange		14
DN 40 - 50	PN 40	Welding	Welding		16
DN 40 - 50	PN 40	Welding	Welding	BROEN-Gear	16
DN 40 - 50	PN 40	Welding	Welding	Flowoptimized	17
DN 40 - 50	PN 40	Welding	Welding	BROEN-Gear Flowoptimized	17
DN 65 - 150	PN 25	Welding	Welding		18
DN 65 - 150	PN 25	Welding	Welding	BROEN-Gear	18
DN 65 - 150	PN 25	Welding	Welding	Flowoptimized	19
DN 65 - 150	PN 25	Welding	Welding	BROEN-Gear Flowoptimized	19
DN 200 - 400	PN 25	Welding	Welding		20
DN 200 - 400	PN 25	Welding	Welding	BROEN-Gear	20
DN 20 - 50	PN 40	Flange	Welding		21
DN 65 - 100	PN 25	Flange	Welding		21
DN 65 - 100	PN 16	Flange	Welding		21
DN 15 - 32	PN 40	Flange	Flange		22
DN 40 - 50	PN 40	Flange	Flange		22
DN 40 - 50	PN 40	Flange	Flange	BROEN-Gear	22
DN 40 - 50	PN 40	Flange	Flange	Flowoptimized	23
DN 40 - 50	PN 40	Flange	Flange	BROEN-Gear Flowoptimized	23
DN 65 - 150	PN 25	Flange	Flange		24
DN 65 - 150	PN 25	Flange	Flange	BROEN-Gear	24
DN 65 - 150	PN 25	Flange	Flange	Flowoptimized	25
DN 65 - 150	PN 25	Flange	Flange	BROEN-Gear Flowoptimized	25
DN 200 - 400	PN 25	Flange	Flange	ISO-flange	26
DN 200 - 400	PN 25	Flange	Flange	BROEN-Gear	26
DN 65 - 150	PN 16	Flange	Flange		27
DN 65 - 150	PN 16	Flange	Flange	BROEN-Gear	27
DN 65 - 150	PN 16	Flange	Flange	Flowoptimized	28
DN 65 - 150	PN 16	Flange	Flange	BROEN-Gear Flowoptimized	28

DN 200 - 400	PN 16	Flange	Flange	ISO-flange	29
DN 200 - 400	PN 16	Flange	Flange	BROEN-Gear	29

**BROEN BALLOMAX® - Steel ball valves - Reduced bore**

DN 15 - 50	PN 25	Female	Female		31
DN 15 - 50	PN 25	Welding	Welding		31
DN 50	PN 40	Welding	Welding		32
DN 50	PN 40	Welding	Welding	BROEN-Gear	32
DN 15 - 20	PN 40	Female	Welding	Welding - end extended	32
DN 80 - 150	PN 25	Welding	Welding		33
DN 65 - 150	PN 25	Welding	Welding	BROEN-Gear	33
DN 200	PN 25	Welding	Welding	ISO-flange	34
DN 200	PN 25	Welding	Welding	BROEN-Gear	34
DN 250 - 500	PN 25	Welding	Welding		35
DN 250 - 500	PN 25	Welding	Welding	BROEN-Gear	35
DN 250 - 500	PN 25	Welding	Welding		36
DN 250 - 500	PN 25	Welding	Welding	BROEN-Gear	36
DN 250 - 500	PN 25	Welding	Welding	Flowoptimized	36
DN 250 - 500	PN 25	Welding	Welding	BROEN-Gear	36
DN 250 - 500	PN 25	Welding	Welding	Flowoptimized	36
DN 20 - 50	PN 40	Flange	Welding		37
DN 65 - 100	PN 25	Flange	Welding		37
DN 125 - 150	PN 25	Flange	Welding	ISO-flange	38
DN 65 - 100	PN 16	Flange	Welding		38
DN 125 - 150	PN 16	Flange	Welding	ISO-flange	38
DN 15 - 40	PN 40	Flange	Flange		39
DN 50	PN 40	Flange	Flange		39
DN 50	PN 40	Flange	Flange	BROEN-Gear	39
DN 65 - 150	PN 25	Flange	Flange		40
DN 65 - 150	PN 25	Flange	Flange	BROEN-Gear	40
DN 200	PN 25	Flange	Flange		41
DN 200	PN 25	Flange	Flange	BROEN-Gear	41
DN 250 - 500	PN 25	Flange	Flange		42
DN 250 - 500	PN 25	Flange	Flange	BROEN-Gear	42
DN 250 - 500	PN 25	Flange	Flange		43
DN 250 - 500	PN 25	Flange	Flange	BROEN-Gear	43
DN 250 - 500	PN 25	Flange	Flange	Flowoptimized	43
DN 250 - 500	PN 25	Flange	Flange	BROEN-Gear	43
DN 250 - 500	PN 25	Flange	Flange	Flowoptimized	43
DN 65 - 150	PN 16	Flange	Flange		44
DN 65 - 150	PN 16	Flange	Flange	BROEN-Gear	44
DN 200	PN 16	Flange	Flange	ISO-flange	45
DN 200	PN 16	Flange	Flange	BROEN-Gear	45
DN 250 - 500	PN 16	Flange	Flange		46
DN 250 - 500	PN 16	Flange	Flange	BROEN-Gear	46
DN 250 - 500	PN 16	Flange	Flange		47
DN 250 - 500	PN 16	Flange	Flange	BROEN-Gear	47
DN 250 - 500	PN 16	Flange	Flange	Flowoptimized	47
DN 250 - 500	PN 16	Flange	Flange	BROEN-Gear	47
DN 250 - 500	PN 16	Flange	Flange	Flowoptimized	47
DN 250 - 500	PN 16	Flange	Flange	BROEN-Gear	47
DN 250 - 500	PN 16	Flange	Flange	Flowoptimized	47

## FLEXIBLE MAIN STOP VALVES

### **BROEN BALLOMAX® - Flexible main stop valve - Full bore**

DN 15 - 20	PN 25	Female	Female	48
DN 15 - 20	PN 25	Welding	Female	48
DN 15 - 20	PN 25	Welding	Welding	49
DN 20 - 25	PN 25	Female	Copper	49

### **BROEN BALLOMAX® - Flexible main stop valve - Reduced bore**

DN 20 - 25	PN 25	Female	PE-RT	50
DN 20 - 25	PN 25	Female	PE-RT cabinet	51
DN 20 - 25	PN 25	Female	Alupex	52
DN 20 - 25	PN 25	Female	Alupex cabinet	53
DN 15 - 25	PN 16	Welding	Copper	54
DN 20 - 25	PN 16	Welding	Copper	54
DN 20 - 25	PN 16	Copper	Copper	54
DN 20 - 25	PN 16	Copper	Female	55
DN 25 - 32	PN 40	Female	Female	55
DN 25 - 32	PN 40	Welding	Female	55
DN 25 - 32	PN 40	Welding	Welding	55
DN 25	PN 40	Welding	Female	56
DN 20	PN 25	Flexible main stop valve - Cabinet		56

## ACCESSORIES FOR FLEXIBLE MAIN STOP VALVES

DN 15 - 32	Accessory	Bracket for extension	57
DN 15 - 20	Accessory	Insulation shells	57
DN 15 - 20	Accessory	T-handles	57
DN 15 - 20	Accessory	Lock fitting	57

## HIGH TEMPERATURE VALVES

### **BROEN BALLOMAX® - High temperature valves - Reduced bore**

DN 10 - 50	PN 40	Female	Female		58
DN 10 - 50	PN 40	Female	Female	ISO-flange	58
DN 10 - 50	PN 40	Welding	Welding		59
DN 10 - 50	PN 40	Welding	Welding	ISO-flange	59
DN 65 - 200	PN 25	Welding	Welding		60
DN 65 - 200	PN 25	Welding	Welding	ISO-flange	60
DN 125 - 200	PN 25	Welding	Welding	BROEN-Gear	61
DN 15 - 50	PN 40	Flange	Flange		62
DN 15 - 50	PN 40	Flange	Flange	ISO-flange	62
DN 65 - 200	PN 25	Flange	Flange		63
DN 65 - 200	PN 25	Flange	Flange	ISO-flange	63
DN 125 - 200	PN 25	Flange	Flange	BROEN-Gear	64
DN 65 - 200	PN 16	Flange	Flange		64
DN 65 - 200	PN 16	Flange	Flange	ISO-flange	65
DN 125 - 200	PN 16	Flange	Flange	BROEN-Gear	65

## ACCESSORIES

DN 15 - 65R	PN 25	Accessory	L-Handle	67
DN 15 - 32	PN 25	Accessory	T-Handle	67
DN 15 - 65R	PN 25	Accessory	Gear handle	67
DN 15 - 50		Accessory	T-Handle	68
DN 15 - 200		Accessory	Handle	68
DN 15 - 100		Accessory	ISO-flanges, mounting kit	68
DN 15 - 150		Accessory	Hexagon insertion key	69
DN 15 - 125		Accessory	Spindle extension for type 61-64 valves	69
DN 50 - 100		Accessory	ISO-flanges, mounting kit	69
DN 15 - 500		Accessory	BROEN BALLOMAX® Repair-set	70
DN 100 - 500		Accessory	BROEN-Gear	71
DN 65 - 300		Accessory	BROEN-Gear	71

### **Technical data**

DN 15 - 500	Flange dimensions	PN 40   25   16	72
-------------	-------------------	-----------------	----

## MONOBLOCK AND SHORT VALVES

### **BROEN BALLOMAX® Monoblock and short valves**

Information about BROEN BALLOMAX® Monoblock and short valves				73
DN 15 - 32		Monoblock single	PN 40   25   16	74
DN 15 - 32		Monoblock single	PN 40   25   16 ISO-flange	74
DN 40 - 80	PN 16	Flange	Flange	75
DN 40 - 80	PN 16	Flange	Flange	75
DN 40 - 80	PN 16	Flange	Flange	76
DN 100 - 200	PN 16	Flange	Flange	76
DN 100 - 200	PN 16	Flange	Flange	77
DN 100 - 200	PN 16	Flange	Flange ISO-flange	77
DN 100 - 200	PN 16	Flange	Flange BROEN-Gear	78

## TRUNNION MOUNTED VALVES

### **BROEN BALLOMAX® - Trunnion mounted valves - Full bore**

Information about BROEN BALLOMAX® Trunnion mounted valves				79
DN 150 - 600		Welding	Welding PN 40   25   16 ISO-flange	80
DN 700 - 1000		Welding	Welding PN 40   25   16 ISO-flange	80
DN 150 - 800		Welding	Welding PN 40   25   16 BROEN-Gear	81
DN 150 - 600	PN 40	Flange	Flange	82
DN 700 - 1000	PN 40	Flange	Flange	82
DN 150 - 600	PN 25	Flange	Flange	83
DN 700 - 1000	PN 25	Flange	Flange	83
DN 150 - 600	PN 16	Flange	Flange	84
DN 700 - 1000	PN 16	Flange	Flange	84

### **BROEN BALLOMAX® - Trunnion mounted valves - Reduced bore**

DN 200 - 700		Welding	Welding	PN 40   25   16	85
DN 800 - 1000		Welding	Welding	PN 40   25   16	85
DN 200 - 700	PN 40	Flange	Flange	ISO-flange	86
DN 800 - 1000	PN 40	Flange	Flange	ISO-flange	86
DN 200 - 700	PN 25	Flange	Flange	ISO-flange	87
DN 800 - 1000	PN 25	Flange	Flange	ISO-flange	87
DN 200 - 700	PN 16	Flange	Flange	ISO-flange	88
DN 800 - 1000	PN 16	Flange	Flange	ISO-flange	88
Information about BROEN BALLOMAX® Trunnion mounted valve with gear				89	

## BUTTERFLY VALVES

### **BROEN Butterfly valve**

Information about BROEN Butterfly valves . . . . .	90
DN 80 - 1000 PN 25 Welding Welding BROEN-Gear . . . . .	91
DN 80 - 1000 PN 25 Flange Flange BROEN-Gear . . . . .	92
DN 80 - 1000 PN 25 Wafer type BROEN-Gear . . . . .	93

## HOT TAP VALVES

### **BROEN BALLOMAX® - Hot tap valve - Full bore**

DN 15 - 100 PN 25 Welding Welding . . . . .	94
---	----

### **BROEN BALLOMAX® - Hot tap valve - Reduced bore**

DN 20 - 100 PN 25 Welding Welding . . . . .	94
---	----

### **BROEN BALLOMAX® - Hot tap tool**

DN 15 - 100 PN 25 Hot tap tool - Full bore & reduced bore . . . . .	95
DN 15 - 100 PN 25 Hot tap tool - product overview . . . . .	96
DN 15 - 50 PN 25 Hot tap tool - Spare parts and consumables for tools delivered from January 2023 onwards . . . . .	97
DN 65 - 100 PN 25 Hot tap tool - Spare parts and consumables for tools delivered from January 2023 onwards . . . . .	98
DN 15 - 50 PN 25 Hot tap tool - Spare parts and consumables for tools delivered by December 2022 . . . . .	99
DN 65 - 100 PN 25 Hot tap tool - Spare parts and consumables for tools delivered by December 2022 . . . . .	100

## BRANCHING VALVES

### **BROEN BALLOMAX® - Branching valves - Reduced bore**

DN 20 - 50 PN 40 Welding Welding . . . . .	101
DN 65 - 100 PN 25 Welding Welding . . . . .	101
DN 125 - 200 PN 25 Welding Welding . . . . .	102

### **BROEN BALLOMAX® - Branching valves - Full bore**

DN 15 - 50 PN 40 Welding Welding . . . . .	103
DN 65 - 100 PN 25 Welding Welding . . . . .	103
DN 125 - 150 PN 25 Welding Welding . . . . .	103

## TRUNNION MOUNTED STEEL BALL VALVES - EN 488

### **BROEN BALLOMAX® - Trunnion mounted steel ball valves - Reduced bore**

DN 150 - 500	PN 25	Welding	Welding	HEX	104
DN 150 - 1000	PN 25	Welding	Welding	ISO-flange	105

### **BROEN BALLOMAX® - Trunnion mounted steel ball valves - Full bore**

DN 150 - 400	PN 25	Welding	Welding	HEX	106
DN 150 - 1000	PN 25	Welding	Welding	ISO-flange	107

## UNDERGROUND VALVES - EN 488

### **BROEN BALLOMAX® - Ball valves for preinsulation - Reduced bore**

DN 25 - 100	PN 25	Welding	Welding	108
DN 125 - 400	PN 25	Welding	Welding	108
DN 125 - 500	PN 25	Welding	ISO-flange	109

### **BROEN BALLOMAX® - Ball valves for preinsulation - Full bore**

DN 25 - 150	PN 25	Welding	Welding	109
DN 200 - 300	PN 25	Welding	Welding	110
DN 125 - 300	PN 25	Welding	ISO-flange	110

## ACCESSORIES FOR UNDERGROUND VALVES - EN 488

### Service ball valves - Reduced bore

DN 25 - 50	Accessory	Welding	PN 25	111
DN 25   50   80	Accessory	Welding	PN 25	111
DN 25   50   80   100	Accessory	Welding	PN 15	111

DN 25   50	Accessory	Welding	PN 25	112
------------	-----------	---------	-------	-----

### Service ball valves - Full bore

DN 25   50   80	Accessory	Welding	PN 25	112
	Accessory	SQ adapter		112

DN 20 - 150	Accessory	Flex extension		113
DN 80 - 300	Accessory	Flex extension		113

DN 80 - 350	Accessory	BROEN-Gear- Portable gear		114
DN 80 - 400	Accessory	BROEN-Gear- Planetary gea		114
	Accessory	Universal allen key		114

DN 150 - 500	Accessory	BROEN-Gear- Bevel gear		115
DN 150 - 500	Accessory	BROEN-Gear- Bevel gear		115
DN 200-500	Accessory	Telescopic extension		115

DN 20 - 200	Accessory	BROEN BALLOMAX® Repair-set		116
DN 150 - 500	Accessory	BROEN BALLOMAX® Repair-set		116

General terms of sale and delivery				118 - 119
------------------------------------	--	--	--	-----------

## BROEN – A global partner

### A global company with local knowledge

Even though BROEN is an international company exporting to more than 50 countries, we are always close to you through our comprehensive network and partners. This assures you easy access to our services and profound knowledge of local conditions.

We have more than 600 staff members as well as companies and cooperation partners all over the world. Our staff members create strong relations across business areas and borders and provide BROEN with a flexible and loyal foundation for the best possible service to our customers.

At BROEN we are always focusing on innovation and integrated solutions, for the benefit of people in daily life. We cherish knowledge and experience and use it to create new initiatives and products.

Furthermore, BROEN is part of Aalberts Industries N.V. listed on the stock exchange in Amsterdam.

For further information go to [www.broen.com](http://www.broen.com) and [www.aalberts.com](http://www.aalberts.com).

## BROEN BALLOMAX® Approvals

For more than 40 years BROEN has pioneered in district energy by constantly pursuing and refining valve technology for heating and cooling applications and is today a trusted and preferred supplier for long lasting, efficient energy solutions.

BROEN A/S has been ISO 9001 certified since 2001 and today holds the certificate ISO 9001:2015.

BROEN BALLOMAX® steel ball valves have been approved according to the requirements of Pressure Equipment Directive (PED) 2014/68/EU, module H. Module H is the module for complete quality control.

All BROEN BALLOMAX® fittings are subjected to a pressure and function test in accordance with EN 12266.

Requirement level: Leak rate A = no visible leakage.

Valves up to and including DN32 are produced according to Section 4.3 of the Directive and require no CE mark.

Specific unified standards applied: Directive PED 2014/68/EU, EN 488:2015 EHP003, EN ISO 9601-1, EN ISO 14732, EN ISO 15613, EN ISO 15614, EN 12266.

## Climate change is our common challenge

Energy efficiency is one of the greatest challenges of our times and for district energy BROEN delivers ready solutions to meet the globally rising demand for energy efficiency.

Based on the heritage from leading edge innovations in Danish district heating, BROEN BALLOMAX® offers the most comprehensive range of proven ball valves for distribution and transmission of district energy in residential, commercial and industrial applications and are today a key component in district heating and district cooling networks throughout the world.

BROEN A/S is ISO 9001:2015, 14001:2015 and 45001:2018 certified.

Our brand is our promise.

## BROEN BALLOMAX® – our response

For more than 30 years the reliable design of BROEN BALLOMAX® has proven itself and it remains the best choice in district heating today.

Thus, BROEN BALLOMAX® is competitive when it comes to Low Cost of Ownership - the valve lasts as long as the district heating network.

BROEN offers complete solutions for district energy – valves, actuators, gears, flanges and spindle extenders.

The most recognized valve technology is not something we just claim, but something we have to live up to every single day.

To us quality is not just a key to market access – it goes far beyond that.

BROEN BALLOMAX® is your certainty of energy efficiency, reliability and low operating costs.

BROEN BALLOMAX® energy efficiency - designed to last.

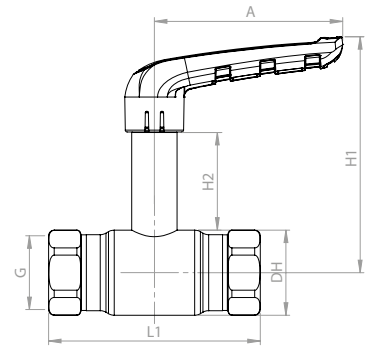
**Pls. see District Energy on [www.broen.com](http://www.broen.com) or contact our technical support for further technical product information.**

We reserve the right to make changes and are not responsible for typographical errors. All rights reserved.

Steel ball valve  
DN 15 - 50, PN 25

**Type BBM 12031**  
**Full bore**  
**Female x Female**  
**- high and low stem**

Product Sheet No.: 3.1



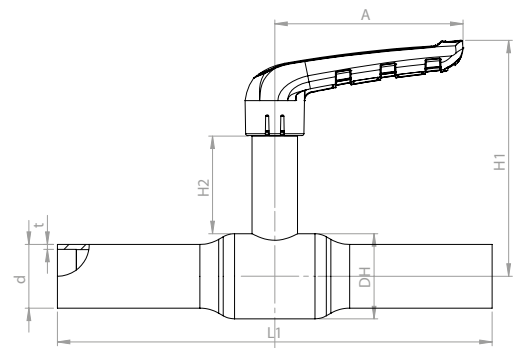
					All dimensions in mm						
	DN	BROEN No.	Bore	Kvs	net Weight kg	G	DH	L1	H1	H2	A
HIGH	15	1015002031-2101	15	26	0.35	½"	Ø30.0	94	108	55	75
	20	1020002031-2101	20	49	0.47	¾"	Ø38.0	104	111	54	75
	25	1025002031-2101	25	75	0.80	1"	Ø45.0	112	125	52	100
	32	1032002031-2101	32	110	1.21	1¼"	Ø56.5	134	131	52	100
	40	1040002031-2101	40	214	1.83	1½"	Ø68.0	156	156	63	120
	50	1050002031-2101	50	308	3.09	2"	Ø85.0	192	165	63	120
Available with T-handle and Gear handle upon request. Ex. 1015002031-2101: T-handle (only DN 15 - 32) = 1015002031-2401 / Gear handle = 1015002031-2201											
LOW	15	1015002030-2101	15	26	0.27	½"	Ø30.0	94	66	11	75
	20	1020002030-2101	20	49	0.39	¾"	Ø38.0	104	68	11	75
	25	1025002030-2101	25	75	0.72	1"	Ø45.0	112	87	14	100

\*DN 32 -50 has hollow ball

Steel ball valve  
DN 15 - 50, PN 25

**Type BBM 13001**  
**Full bore**  
**Welding x Welding**  
**- high and low stem**

Product Sheet No.: 3.1



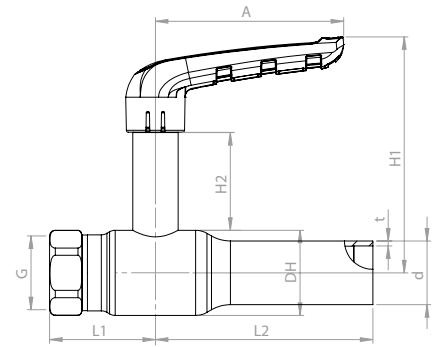
					All dimensions in mm							
	DN	BROEN No.	Bore	Kvs	net Weight kg	DH	d	t	L1	H1	H2	A
HIGH	15	1015003001-2101	15	26	0.22	Ø30.0	21.3	2.0	210	108	55	75
	20	1020003001-2101	20	49	0.58	Ø38.0	26.9	2.3	230	111	54	75
	25	1025003001-2101	25	75	0.91	Ø45.0	33.7	2.6	230	125	52	100
	32*	1032003001-2101	32	110	1.30	Ø56.5	42.4	2.6	260	131	52	100
	40*	1040003001-2101	40	214	1.96	Ø68.0	48.3	2.6	260	156	63	120
	50*	1050003001-2101	50	308	3.00	Ø85.0	60.3	2.9	290	165	63	120
Available with T-handle and Gear handle upon request. Ex. 1015003001-2101: T-handle (only DN 15 - 32) = 1015003001-2401 / Gear handle = 1015003001-2201												
LOW	15	1015003000-2101	15	26	0.14	Ø30.0	21.3	2.0	210	66	11	75
	20	1020003000-2101	20	49	0.50	Ø38.0	26.9	2.3	230	68	11	75
	25	1025003000-2101	25	75	0.83	Ø45.0	33.7	2.6	230	87	14	100

\*DN 32 -50 has hollow ball

Steel ball valve  
DN 15 - 50, PN 25

**Type BBM 13601**  
**Full bore**  
**Female x Welding**  
**- high and low stem**

Product Sheet No.: 3.1



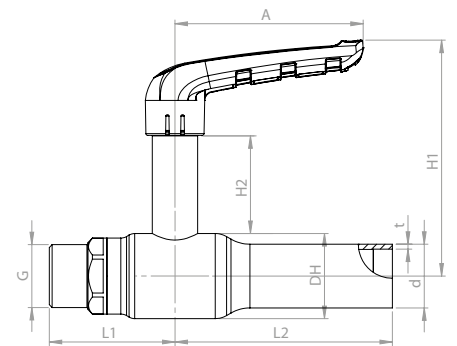
					All dimensions in mm									
DN	BROEN No.	Bore	Kvs	net Weight kg	G	DH	d	t	L1	L2	H1	H2	A	
HIGH	15	1015003601-2101	15	26	0.38	½"	Ø30.0	21.3	2.0	40	105	108	55	75
	20	1020003601-2101	20	49	0.56	¾"	Ø38.0	26.9	2.3	52	115	111	54	75
	25	1025003601-2101	25	75	0.86	1"	Ø45.0	33.7	2.6	56	115	125	52	100
	32*	1032003601-2101	32	110	1.27	1¼"	Ø56.5	42.4	2.6	67	130	131	52	100
	40*	1040003601-2101	40	214	1.90	1½"	Ø68.0	48.3	2.6	78	134	156	63	120
	50*	1050003601-2101	50	308	3.09	2"	Ø85.0	60.3	2.9	96	145	165	63	120
Available with T-handle and Gear handle upon request. Ex. 1015003601-2101: T-handle (only DN 15 - 32) = 1015003601-2401 / Gear handle = 1015003601-2201														
LOW	15	1015003600-2101	15	26	0.30	½"	Ø30.0	21.3	2.0	40	105	66	11	75
	20	1020003600-2101	20	49	0.48	¾"	Ø38.0	26.9	2.3	52	115	68	11	75
	25	1025003600-2101	25	75	0.78	1"	Ø45.0	33.7	2.6	56	115	87	14	100

\*DN 32 -50 has hollow ball

Steel ball valve  
DN 15 - 50, PN 25

**Type BBM 13701**  
**Full bore**  
**Male x Welding**

Product Sheet No.: 3.1



					All dimensions in mm									
DN	BROEN No.	Bore	Kvs	net Weight kg	G	DH	d	t	L1	L2	H1	H2	A	
15	1015003701-2101	15	26	0.38	½"	Ø30.0	21.3	2.0	40	105	108	55	75	
20	1020003701-2101	20	49	0.52	¾"	Ø38.0	26.9	2.3	52	115	111	54	75	
25	1025003701-2101	25	75	0.87	1"	Ø45.0	33.7	2.6	56	115	125	52	100	
32*	1032003701-2101	32	110	1.30	1¼"	Ø56.5	42.4	2.6	67	130	131	52	100	
40*	1040003701-2101	40	214	1.93	1½"	Ø68.0	48.3	2.6	78	134	156	63	120	
50*	1050003701-2101	50	308	3.18	2"	Ø85.0	60.3	2.9	96	145	165	63	120	

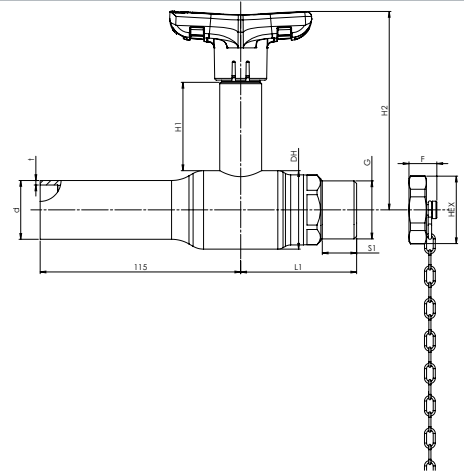
Available with T-handle and Gear handle upon request. Ex. 1015003701-2101: T-handle (only DN 15 - 32) = 1015003701-2401 / Gear handle = 1015003701-2201

\*DN 32 -50 has hollow ball

Steel ball valve  
DN 15 - 25, PN 25

Type **BBM S3701**  
**Full bore**  
**Male with cap and chain x Welding**

Product Sheet No.: 3.1



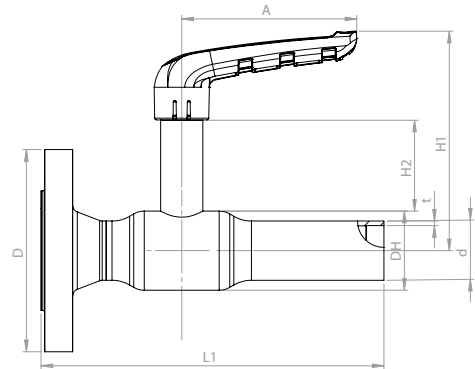
DN	BROEN No.	Bore	Kvs	net Weight kg	All dimensions in mm										
					G	S1	DH	L1	d	t	L2	H1	H2	F	HX
15	1015003711-S000	15	26	0.55	3/4"	14	Ø30	58.5	21.3	2.0	105.5	55	105.0	16	30
20	1020003701-S001	20	49	0.60	3/4"	15	Ø38	56.0	26.9	2.4	115.0	54	106.5	16	30
25	1025003701-S002	25	75	1.00	1"	17	Ø45	66.5	33.7	2.6	115.0	52	114.0	16	36

Drain/fill valve.

Steel ball valve  
DN 15 - 50, PN 25

Type **BBM 14001**  
**Full bore**  
**Flange x Welding**

Product Sheet No.: 3.1



DN	BROEN No.	Bore	Kvs	net Weight kg	All dimensions in mm							
					D	DH	d	t	L	H1	H2	A
15	1015004001-2101	15	26	1,07	95	Ø30,0	21,3	2,0	170	108	55	75
20	1020004001-2101	20	49	1,49	105	Ø38,0	26,9	2,3	190	111	54	75
25	1025004001-2101	25	75	2,04	115	Ø45,0	33,7	2,6	195	125	52	100
32*	1032004001-2101	32	110	2,85	140	Ø56,5	42,4	2,6	220	131	52	100
40*	1040004001-2101	40	214	3,64	150	Ø68,0	48,3	2,6	230	156	63	120
50*	1050004001-2101	50	308	5,42	165	Ø85,0	60,3	2,9	260	165	63	120

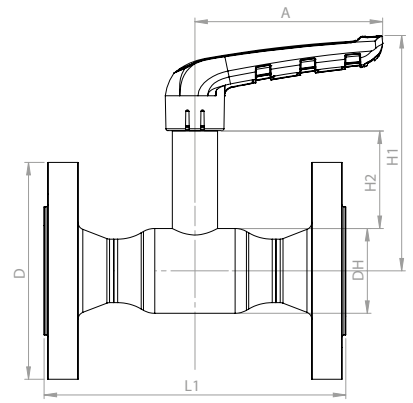
Available with T-handle and Gear handle upon request. Ex. 1015004001-2101: T-handle (only DN 15 - 32) = 1015004001-2401 / Gear handle = 1015004001-2201

\*DN 32 -50 has hollow ball

### Steel ball valve DN 15 - 50, PN 25

**Type BBM 15001**  
**Full bore**  
**Flange × Flange**

Product Sheet No.: 3.1



DN	BROEN No.	Bore	Kvs	net Weight kg	All dimensions in mm					
					D	DH	L1	H1	H2	A
15	1015005001-2101	15	26	1,72	95	Ø30,0	130	108	55	75
20	1020005001-2101	20	49	2,40	105	Ø38,0	150	111	54	75
25	1025005001-2101	25	75	3,16	115	Ø45,0	160	125	52	100
32*	1032005001-2101	32	110	4,40	140	Ø56,5	180	131	52	100
40*	1040005001-2101	40	214	5,43	150	Ø68,0	200	156	63	120
50*	1050005001-2101	50	308	7,82	165	Ø85,0	230	165	63	120

Available with T-handle and Gear handle upon request. Ex. 1015005001-2101: T-handle (only DN 15 - 32) = 1015005001-2401 / Gear handle = 1015005001-2201

\*DN 32 -50 has hollow ball

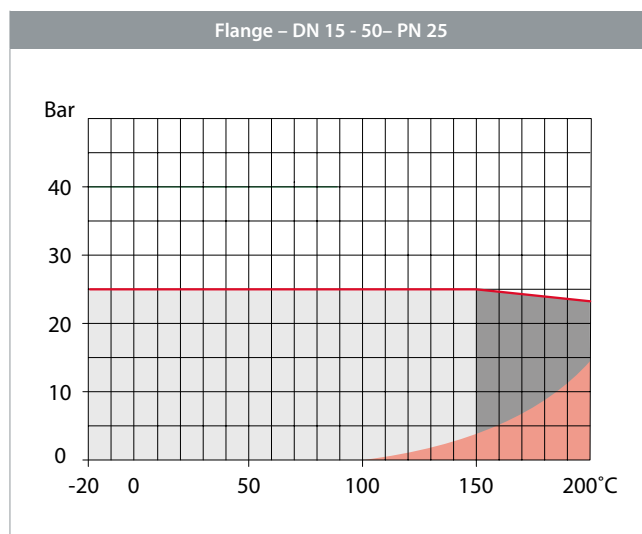
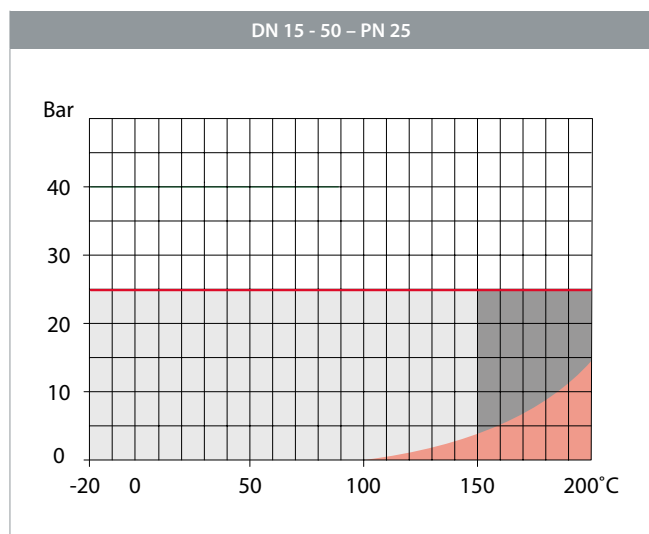
### BROEN BALLOMAX® technical data

Material, valve housing:	P235GH / EN 10217-2
Material, handle:	Fibreglass reinforced nylon with metal insert
Sizes:	DN 15 - 50
Seals:	PTFE (Polytetrafluorethylene)
O-rings:	Elastomer - EPDM (Ethylene Propylene Diene Monomer)
Medium:	Water
Operating pressure:	Max 25 bar
Operating temperature:	-20°C to +150°C
Design temperature:	-20°C to +200°C

#### Kvs values

DN [mm]	10	15	20	25	32	40	50
Kvs [m <sup>3</sup> /h]	13	26	49	75	110	214	308

#### Pressure and temperature diagram



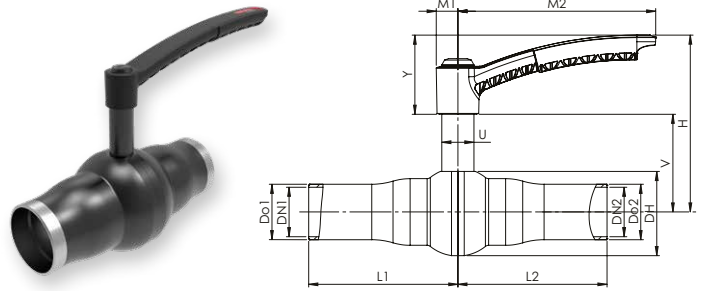
- Normal working area
- Short-term working area
- Steam area (see high temperature valves)



Steel ball valve  
DN 40 - 50, PN 40

Type **BBM60241**  
**Full bore**  
**Welding × Welding**

Product Sheet No.: 3.1

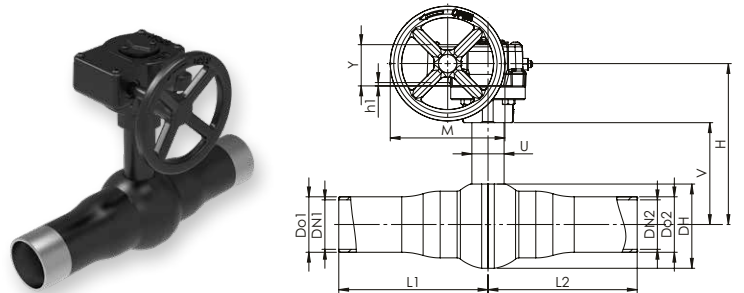


					All dimensions in mm												
DN	BROEN No.	Bore	Kvs	net Weight kg	L1	L2	Do1	Do2	DN1	DN2	DH	V	H	U	Y	M1	M2
40	8600240040 010	40	230	2.00	130.0	130.0	48.3	48.3	43.1	43.1	73.4	85.1	154.1	28	68.9	18.9	172.4
50	8600240050 010	50	298	2.98	150.0	150.0	60.3	60.3	54.5	54.5	90.0	93.7	162.7	28	68.9	18.9	172.4

Steel ball valve  
DN 40 - 50, PN 40

Type **BBM60244**  
**Full bore**  
**Welding × Welding**  
**with BROEN-Gear**

Product Sheet No.: 3.1

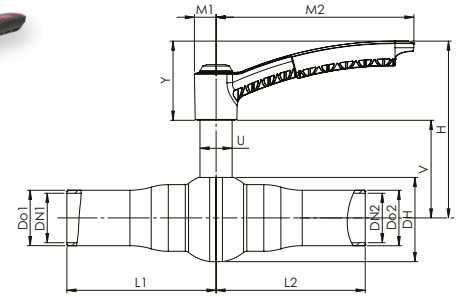


					All dimensions in mm												
DN	BROEN No.	Bore	Kvs	net Weight kg	L1	L2	Do1	Do2	DN1	DN2	DH	V	H	U	Y	M	h1
40	8600240040 480	40	230	3.31	130	130	48.3	48.3	43.1	43.1	73.4	88.9	140.4	28	36	100	3
50	8600240050 480	50	298	4.29	150	150	60.3	60.3	54.5	54.5	90.0	97.3	148.8	28	36	100	3

Valve with gear is tested and prepared for use.

Steel ball valve  
DN 40 - 50, PN 40

Type **BBM62241**  
**Full bore**  
**Welding × Welding**  
**FLOWOPTIMIZED**

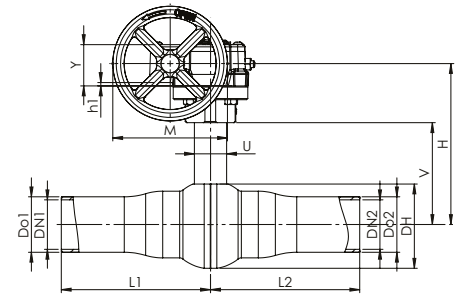


Product Sheet No.: 3.1

DN	BROEN No.	Bore	Kvs	net Weight kg	All dimensions in mm												
					L1	L2	Do1	Do2	DN1	DN2	DH	V	H	U	Y	M1	M2
40	8620240040 010	40	266	2.04	130.0	130.0	48.3	48.3	43.1	43.1	73.4	85.1	154.1	28	68.9	18.9	172.4
50	8620240050 010	50	345	3.04	150.0	150.0	60.3	60.3	54.5	54.5	90.0	93.7	162.7	28	68.9	18.9	172.4

Steel ball valve  
DN 40 - 50, PN 40

Type **BBM62244**  
**Full bore**  
**Welding × Welding**  
**with BROEN-Gear**  
**FLOWOPTIMIZED**



Product Sheet No.: 3.1

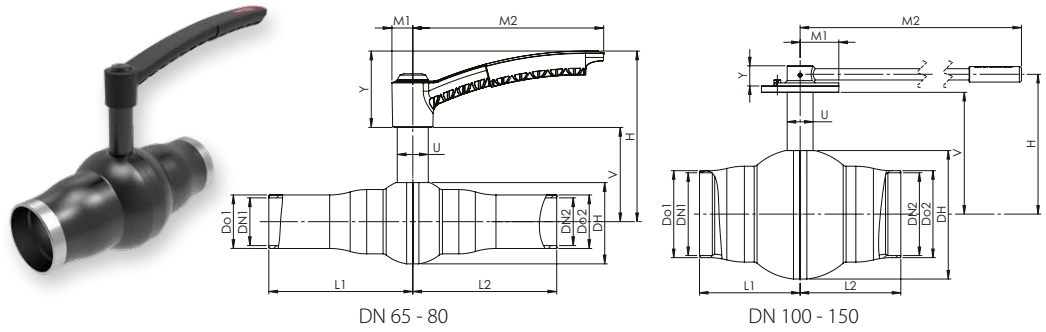
DN	BROEN No.	Bore	Kvs	net Weight kg	All dimensions in mm												
					L1	L2	Do1	Do2	DN1	DN2	DH	V	H	U	Y	M	h1
40	8620240040 480	40	266	3.35	130	130	48.3	48.3	43.1	43.1	73.4	88.9	140.4	28	36	100	3
50	8620240050 480	50	345	4.35	150	150	60.3	60.3	54.5	54.5	90.0	97.3	148.8	28	36	100	3

Valve with gear is tested and prepared for use.

Steel ball valve  
DN 65 - 150, PN 25

Type **BBM60251**  
**Full bore**  
**Welding x Welding**

Product Sheet No.: 3.1



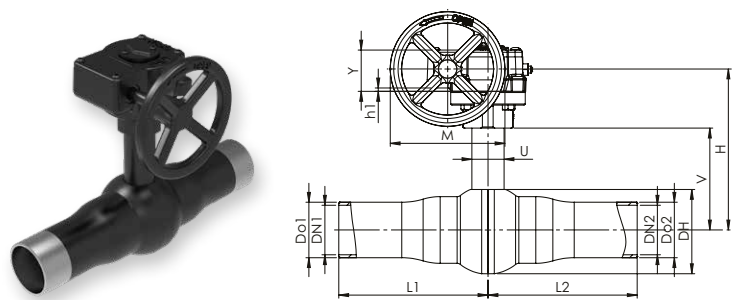
DN	BROEN No.	Bore	Kvs	net Weight kg	All dimensions in mm												
					L1	L2	Do1	Do2	DN1	DN2	DH	V	H	U	Y	M1	M2
65	8600225065 010	65	501	4.23	150.0	150.0	76.1	76.1	70.3	70.3	110.5	118.9	207.9	32	89	20.8	310.9
80	8600225080 010	80	755	5.97	150.0	150.0	88.9	88.9	82.5	82.5	137.1	132.5	221.5	32	89	20.8	310.9
100	8600225100 010	100	1167	10.63	162.5	162.5	114.3	114.3	107.1	107.1	168.1	172.7	207.7	40	39	45.0	365.0
125	8600225125 010	125	1848	17.07	195.0	195.0	139.7	139.7	132.5	132.5	206.4	191.8	226.8	45	39	62.5	650.0
150	8600225150 010	150	2664	24.48	195.0	195.0	168.3	168.3	160.3	160.3	248.8	235.8	270.8	50	39	75.0	900.4

From DN 100, we recommend the use of gearboxes or actuators to enable controlled opening and closing of the valve and to prevent pressure surges in the system.

Steel ball valve  
DN 65 - 150, PN 25

Type **BBM60254**  
**Full bore**  
**Welding x Welding**  
**with BROEN-Gear**

Product Sheet No.: 3.1

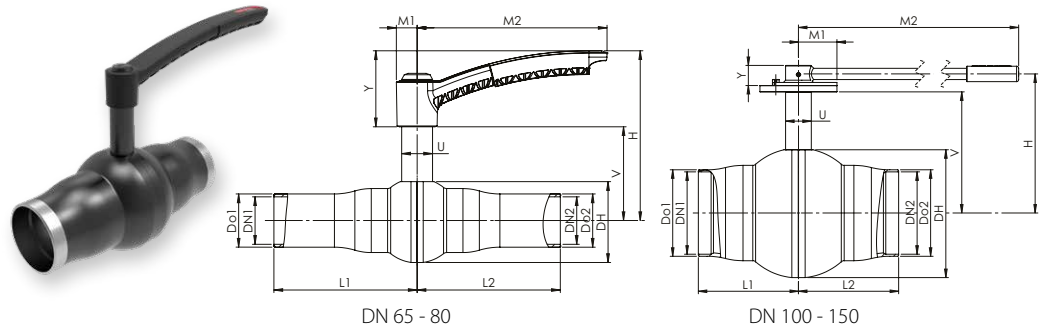


DN	BROEN No.	Bore	Kvs	net Weight kg	All dimensions in mm												
					L1	L2	Do1	Do2	DN1	DN2	DH	V	H	U	Y	M	h1
65	8600225065 480	65	501	6.01	150.0	150.0	76.1	76.1	70.3	70.3	110.5	123.9	177.4	32	39.5	100	2
80	8600225080 480	80	755	7.82	150.0	150.0	88.9	88.9	82.5	82.5	137.1	137.5	191.0	32	39.5	200	2
100	8600225100 480	100	1167	12.73	162.5	162.5	114.3	114.3	107.1	107.1	168.1	172.7	212.7	40	50.0	200	2
125	8600225125 480	125	1848	20.89	195.0	195.0	139.7	139.7	132.5	132.5	206.4	191.8	237.8	45	62.0	300	2
150	8600225150 480	150	2664	27.39	195.0	195.0	168.3	168.3	160.3	160.3	248.8	235.8	281.8	50	62.0	350	2

Valve with gear is tested and prepared for use.

### Steel ball valve DN 65 - 150, PN 25

**Type BBM62251**  
**Full bore**  
**Welding x Welding**  
**FLOWOPTIMIZED**



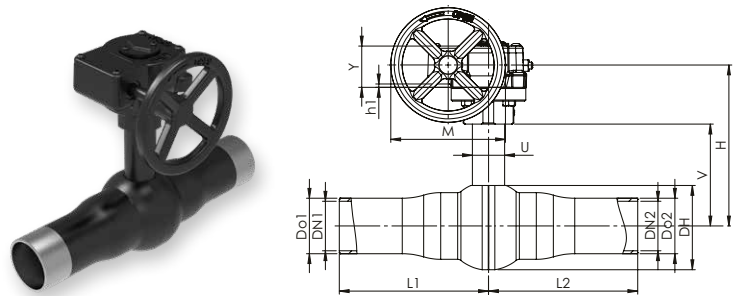
Product Sheet No.: 3.1

DN	BROEN No.	Bore	Kvs	net Weight kg	All dimensions in mm												
					L1	L2	Do1	Do2	DN1	DN2	DH	V	H	U	Y	M1	M2
65	8620225065 010	65	578	4.34	150.0	150.0	76.1	76.1	70.3	70.3	110.5	118.9	207.9	32	89	20.8	310.9
80	8620225080 010	80	842	6.14	150.0	150.0	88.9	88.9	82.5	82.5	137.1	132.5	221.5	32	89	20.8	310.9
100	8620225100 010	100	1271	10.89	162.5	162.5	114.3	114.3	107.1	107.1	168.1	172.7	207.7	40	39	45.0	365.0
125	8620225125 010	125	1963	17.47	195.0	195.0	139.7	139.7	132.5	132.5	206.4	191.8	226.8	45	39	62.5	650.0
150	8620225150 010	150	2856	25.04	195.0	195.0	168.3	168.3	160.3	160.3	248.8	235.8	270.8	50	39	75.0	900.4

From DN 100, we recommend the use of gearboxes or actuators to enable controlled opening and closing of the valve and to prevent pressure surges in the system.

### Steel ball valve DN 65 - 150, PN 25

**Type BBM62254**  
**Full bore**  
**Welding x Welding**  
**with BROEN-Gear**  
**FLOWOPTIMIZED**



Product Sheet No.: 3.1

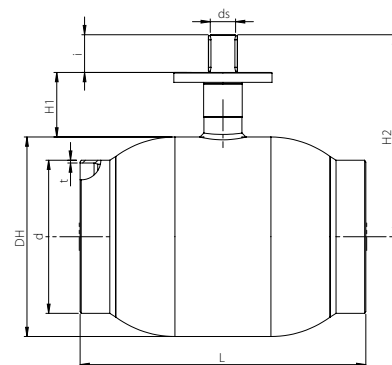
DN	BROEN No.	Bore	Kvs	net Weight kg	All dimensions in mm												
					L1	L2	Do1	Do2	DN1	DN2	DH	V	H	U	Y	M	h1
65	8620225065 480	65	578	6.11	150.0	150.0	76.1	76.1	70.3	70.3	110.5	123.9	177.4	32	39.5	100	2
80	8620225080 480	80	842	7.99	150.0	150.0	88.9	88.9	82.5	82.5	137.1	137.5	191.0	32	39.5	200	2
100	8620225100 480	100	1271	12.99	162.5	162.5	114.3	114.3	107.1	107.1	168.1	172.7	212.7	40	50.0	200	2
125	8620225125 480	125	1963	21.29	195.0	195.0	139.7	139.7	132.5	132.5	206.4	191.8	237.8	45	62.0	300	2
150	8620225150 480	150	2856	27.99	195.0	195.0	168.3	168.3	160.3	160.3	248.8	235.8	281.8	50	62.0	350	2

Valve with gear is tested and prepared for use.

### Steel ball valve DN 200 - 400, PN 25

**Type 86212 / 86012**  
**Full bore**  
**Welding × Welding**  
**with ISO-flange**

Product Sheet No.: 3.1



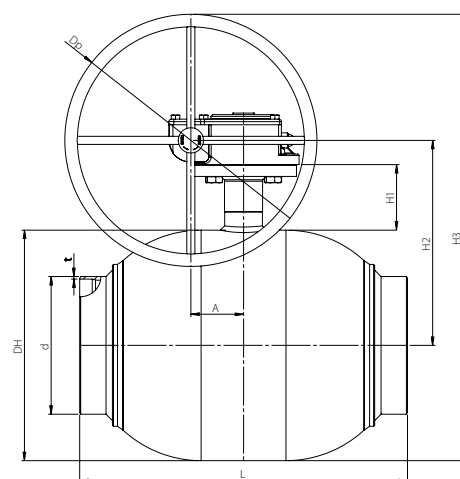
					All dimensions in mm								
DN	BROEN No.	Bore	Kvs	net Weight kg	DH	d	t	L	H1	H2	ds	i	ISO
200	8623225200 000	200	9200	82.7	356	219.1	5.0	533	115	365.0	45	67	F14
250	8623225250 000	250	13500	135.8	457	273.0	5.0	650	130	442.5	50	84	F16
300	8603225300 000	300	21600	253.1	508	323.9	5.6	819	155	506.5	60	100	F16
350	8603225350 000	350			508	355.6	5.6	838	154	505.5	60	97.5	F16
400	8603225400 000	400	35000	469.9	660	406.4	6.3	991	180	622.4	80	112	F30

From DN 200, we recommend the use of gearboxes or actuators to enable controlled opening and closing of the valve and to prevent pressure surges in the system.

### Steel ball valve DN 200 - 400, PN 25

**Type 86212 / 86012**  
**Full bore**  
**Welding × Welding**  
**with BROEN-Gear**

Product Sheet No.: 3.1



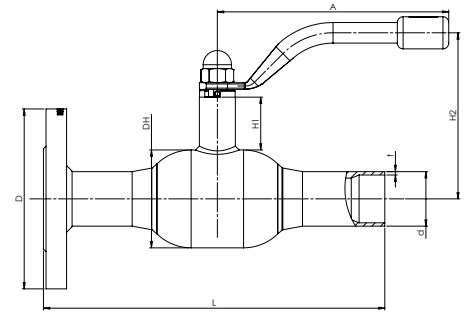
					All dimensions in mm									
DN	BROEN No.	Bore	Kvs	net Weight kg	DH	d	t	L	H1	H2	H3	Dp	A	
200	8623225200 480	200	9200	85,8	356	219,1	5,0	533	115	330	555	450	68,8	
250	8623225250 480	250	13500	142,4	457	273,0	5,0	650	130	407	657	500	104,5	
300	8603225300 480	300	21600	261,5	508	323,9	5,6	819	155	460	640	350	130,0	
350	8603225350 480	350			508	355.6	5.6	838		460	640	350		
400	8603225400 480	400	35000	538,0	660	406,4	6,3	991	180	569	794	450	182,0	

Valve with gear is tested and prepared for use.

Steel ball valve  
DN 20 - 50, PN 40

Type 94104  
Full bore  
Flange × Welding

Product Sheet No.: 3.1

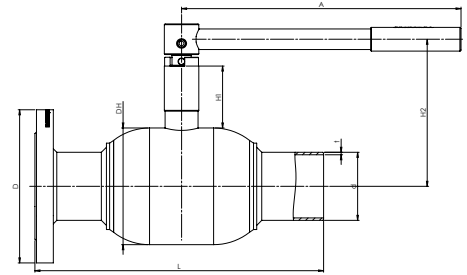


DN	BROEN No.	Bore	Kvs	net Weight kg	All dimensions in mm							
					DH	D	d	t	L	H1	H2	A
20	94104020S312400	20	57	2.4	51	105	26.9	2.0	235	47.2	119.5	140
25	94104025S312500	25	81	2.4	57	115	33.7	2.6	235	48.0	124.0	140
32	94104032S312600	32	133	4.1	76	140	42.4	2.6	265	41.0	127.0	140
40	94104040S312700	40	229	4.9	89	150	48.3	2.6	265	41.1	133.0	180
50	94104050S312800	50	295	6.8	108	165	60.3	2.9	306	66.0	145.0	180

Steel ball valve  
DN 65 - 100, PN 25

Type 94104  
Full bore  
Flange × Welding

Product Sheet No.: 3.1



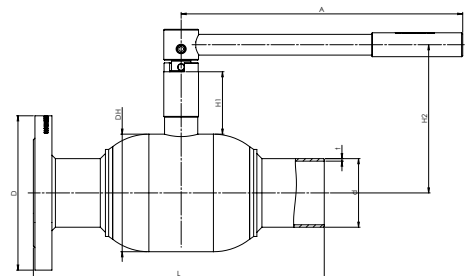
DN	BROEN No.	Bore	Kvs	net Weight kg	All dimensions in mm							
					DH	D	d	t	L	H1	H2	A
65	94104065S617800	65	498	9.8	127	185	76.1	2.9	366.0	66	155	275
80	94104080S344400	80	754	15.2	152	200	88.9	3.2	377.5	81	192	365
100	94104100S617900	100	1159	19.9	178	235	114.3	3.6	397.5	91	218	365

Sizes over DN100 is on request.

Steel ball valve  
DN 65 - 100, PN 16

Type 94104  
Full bore  
Flange × Welding

Product Sheet No.: 3.1



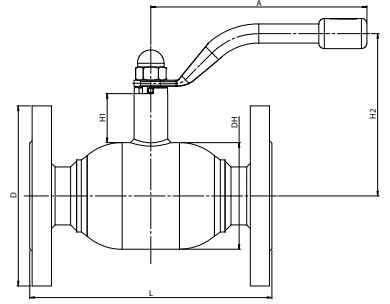
DN	BROEN No.	Bore	Kvs	net Weight kg	All dimensions in mm							
					DH	D	d	t	L	H1	H2	A
65	94104065S312900	65	498	9.8	127	185	76.1	2.9	366.0	66	155	275
80	94104080S313000	80	754	15.2	152	200	88.9	3.2	377.5	81	192	365
100	94104100S313100	100	1159	18.3	178	220	114.3	3.6	397.5	91	218	365

Sizes over DN100 is on request.

Steel ball valve  
DN 15 - 32, PN 40

Type 94103  
Full bore  
Flange × Flange

Product Sheet No.: 3.1

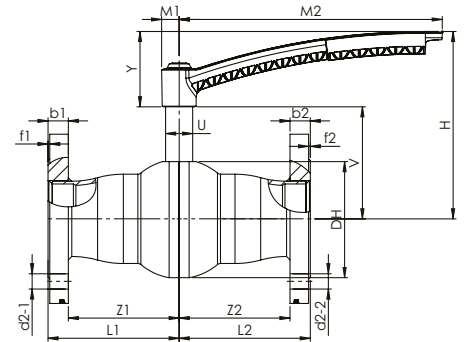


DN	BROEN No.	Bore	Kvs	net Weight kg	All dimensions in mm					
					DH	D	L	H1	H2	A
15	9410340015 010	15	32	1.9	42	95	130	47	115	140
20	9410340020 010	20	57	2.7	51	105	150	47	120	140
25	9410340025 010	25	81	3.5	57	115	160	48	124	140
32	9410340032 010	32	133	5.5	76	140	180	41	127	180

Steel ball valve  
DN 40 - 50, PN 40

Type BBM60441  
Full bore  
Flange × Flange

Product Sheet No.: 3.1

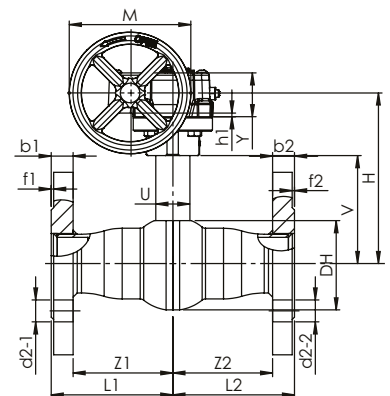


DN	BROEN No.	Bore	Kvs	net Weight kg	All dimensions in mm																
					L2	L2	Z1	Z2	d2-1	d2-2	b1	b2	f1	f2	DH	V	H	U	Y	M1	M2
40	8600440040 010	40	230	5.51	100	100	82	82	18	18	18	18	2	2	73.4	85.1	154.1	28	69	18.9	172.4
50	8600440050 010	50	298	7.53	115	115	95	95	18	18	20	20	2	2	90.0	93.7	162.7	28	69	18.9	172.4

Steel ball valve  
DN 40 - 50, PN 40

Type BBM60444  
Full bore  
Flange × Flange  
with BROEN-Gear

Product Sheet No.: 3.1

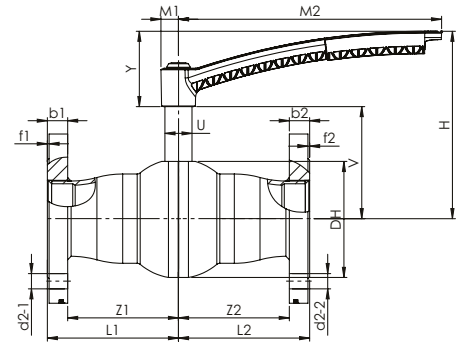


DN	BROEN No.	Bore	Kvs	net Weight kg	All dimensions in mm																
					L2	L2	Z1	Z2	d2-1	d2-2	b1	b2	f1	f2	DH	V	H	U	Y	h1	M
40	8600440040 480	40	230	6.82	100	100	82	82	18	18	18	18	2	2	73.4	88.7	140.2	28	36	3	100
50	8600440050 480	50	298	8.84	115	115	95	95	18	18	20	20	2	2	90.0	97.3	148.8	28	36	3	100

Valve with gear is tested and prepared for use.

### Steel ball valve DN 40 - 50, PN 40

Type **BBM62441**  
**Full bore**  
**Flange × Flange**  
**FLOWOPTIMIZED**

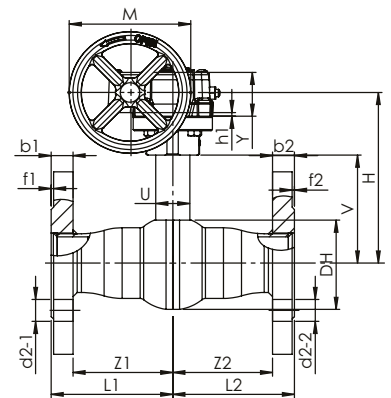


Product Sheet No.: 3.1

					All dimensions in mm																
DN	BROEN No.	Bore	Kvs	net Weight kg	L2	L2	Z1	Z2	d2-1	d2-2	b1	b2	f1	f2	DH	V	H	U	Y	M1	M2
40	8620440040 010	40	266	5.56	100	100	82	82	18	18	18	18	2	2	73.4	85.1	154.1	28	69	18.9	172.4
50	8620440050 010	50	345	7.59	115	115	95	95	18	18	20	20	2	2	90.0	93.7	162.7	28	69	18.9	172.4

### Steel ball valve DN 40 - 50, PN 40

Type **BBM62444**  
**Full bore**  
**Flange × Flange with BROEN-Gear**  
**FLOWOPTIMIZED**



Product Sheet No.: 3.1

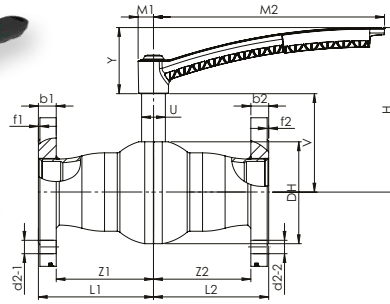
					All dimensions in mm																
DN	BROEN No.	Bore	Kvs	net Weight kg	L2	L2	Z1	Z2	d2-1	d2-2	b1	b2	f1	f2	DH	V	H	U	Y	h1	M
40	8620440040 480	40	230	6.86	100	100	82	82	18	18	18	18	2	2	73.4	88.7	140.2	28	36	3	100
50	8620440050 480	50	298	8.90	115	115	95	95	18	18	20	20	2	2	90.0	97.3	148.8	28	36	3	100

Valve with gear is tested and prepared for use.

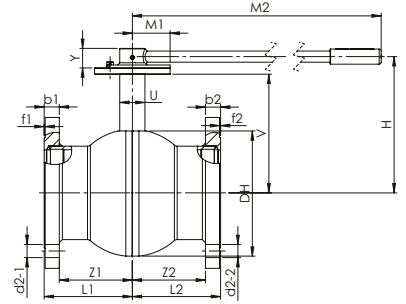
Steel ball valve  
DN 65 - 150, PN 25

Type **BBM60451**  
**Full bore**  
**Flange × Flange**

Product Sheet No.: 3.1



DN 65 - 80



DN 100 - 150

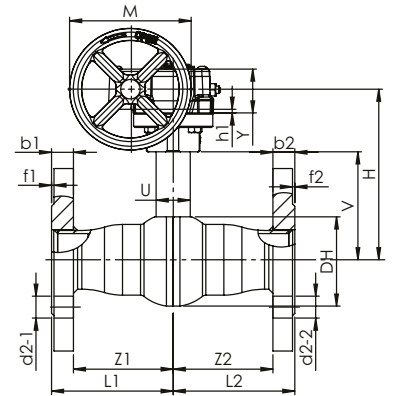
DN	BROEN No.	Bore	Kvs	net Weight kg	All dimensions in mm																
					L2	L2	Z1	Z2	d2-1	d2-2	b1	b2	f1	f2	DH	V	H	U	Y	M1	M2
65	8600425065 010	65	501	10.58	145.0	145.0	123.0	123.0	18	18	22	22	2	2	110.5	118.9	207.9	32	89	20.8	310.9
80	8600425080 010	80	755	14.13	155.0	155.0	131.0	131.0	18	18	24	24	2	2	137.1	132.5	221.5	32	89	20.8	310.9
100	8600425100 010	100	1167	22.12	175.0	175.0	149.0	149.0	22	22	26	26	2	2	168.1	172.7	207.7	40	39	45.0	365.0
125	8600425125 010	125	1848	30.25	162.5	162.5	134.5	134.5	26	26	28	28	2	2	206.4	191.8	226.8	45	39	62.5	650.0
150	8600425150 010	150	2664	41.13	175.0	175.0	145.0	145.0	26	26	30	30	2	2	248.8	235.8	270.8	50	39	75.0	900.4

From DN 100, we recommend the use of gearboxes or actuators to enable controlled opening and closing of the valve and to prevent pressure surges in the system.

Steel ball valve  
DN 65 - 150, PN 25

Type **BBM60454**  
**Full bore**  
**Flange × Flange**  
**with BROEN-Gear**

Product Sheet No.: 3.1



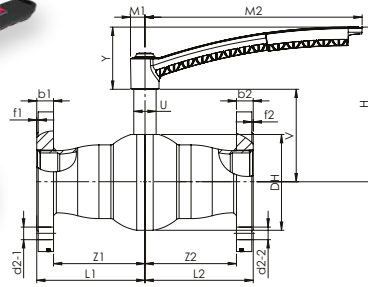
DN	BROEN No.	Bore	Kvs	net Weight kg	All dimensions in mm																
					L2	L2	Z1	Z2	d2-1	d2-2	b1	b2	f1	f2	DH	V	H	U	Y	h1	M
65	8600425065 480	65	501	12.35	145.0	145.0	123.0	123.0	18	18	22	22	2	2	110.5	123.9	177.4	32	39.5	2	100
80	8600425080 480	80	755	15.98	155.0	155.0	131.0	131.0	18	18	24	24	2	2	137.1	137.5	191.0	32	39.5	2	200
100	8600425100 480	100	1167	24.22	175.0	175.0	149.0	149.0	22	22	26	26	2	2	168.1	172.7	212.7	40	50.0	2	200
125	8600425125 480	125	1848	34.07	162.5	162.5	134.5	134.5	26	26	28	28	2	2	206.4	191.8	237.8	45	62.0	2	300
150	8600425150 480	150	2664	44.08	175.0	175.0	145.0	145.0	26	26	30	30	2	2	248.8	235.8	281.8	50	62.0	2	350

Valve with gear is tested and prepared for use.

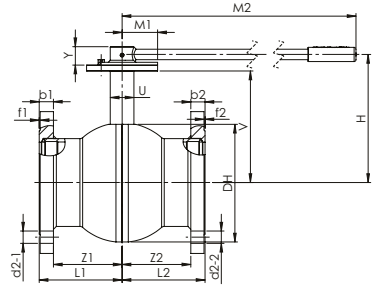
### Steel ball valve DN 65 - 150, PN 25

**Type BBM62451**  
**Full bore**  
**Flange x Flange**  
**FLOWOPTIMIZED**

Product Sheet No.: 3.1



DN 65 - 80



DN 100 - 150

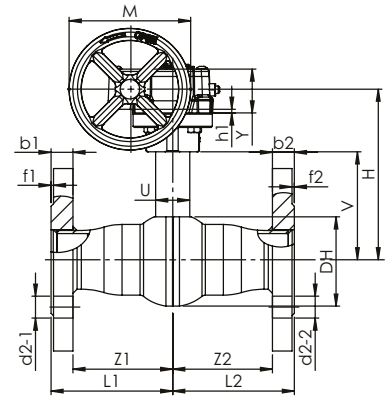
DN	BROEN No.	Bore	Kvs	net Weight kg	All dimensions in mm																
					L2	L2	Z1	Z2	d2-1	d2-2	b1	b2	f1	f2	DH	V	H	U	Y	M1	M2
65	8620425065 010	65	578	10.68	145.0	145.0	123.0	123.0	18	18	22	22	2	2	110.5	118.9	207.9	32	89	20.8	310.9
80	8620425080 010	80	842	14.30	155.0	155.0	131.0	131.0	18	18	24	24	2	2	137.1	132.5	221.5	32	89	20.8	310.9
100	8620425100 010	100	1271	22.38	175.0	175.0	149.0	149.0	22	22	26	26	2	2	168.1	172.7	207.7	40	39	45.0	365.0
125	8620425125 010	125	1963	30.65	162.5	162.5	134.5	134.5	26	26	28	28	2	2	206.4	191.8	226.8	45	39	62.5	650.0
150	8620425150 010	150	2856	41.72	175.0	175.0	145.0	145.0	26	26	30	30	2	2	248.8	235.8	270.8	50	39	75.0	900.4

From DN 100, we recommend the use of gearboxes or actuators to enable controlled opening and closing of the valve and to prevent pressure surges in the system.

### Steel ball valve DN 65 - 150, PN 25

**Type BBM62454**  
**Full bore**  
**Flange x Flange**  
**with BROEN-Gear**  
**FLOWOPTIMIZED**

Product Sheet No.: 3.1



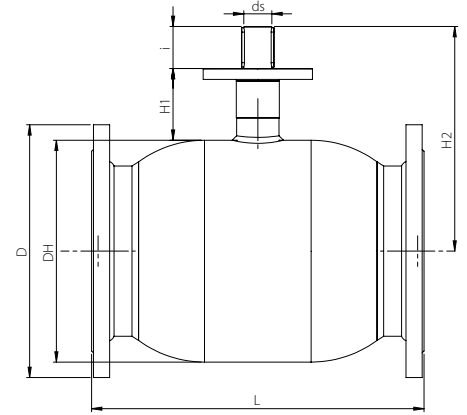
DN	BROEN No.	Bore	Kvs	net Weight kg	All dimensions in mm																
					L2	L2	Z1	Z2	d2-1	d2-2	b1	b2	f1	f2	DH	V	H	U	Y	h1	M
65	8620425065 480	65	578	12.46	145.0	145.0	123.0	123.0	18	18	22	22	2	2	110.5	123.9	177.4	32	39.5	2	100
80	8620425080 480	80	842	16.15	155.0	155.0	131.0	131.0	18	18	24	24	2	2	137.1	137.5	191.0	32	39.5	2	200
100	8620425100 480	100	1271	24.48	175.0	175.0	149.0	149.0	22	22	26	26	2	2	168.1	172.7	212.7	40	50.0	2	200
125	8620425125 480	125	1963	34.47	162.5	162.5	134.5	134.5	26	26	28	28	2	2	206.4	191.8	237.8	45	62.0	2	300
150	8620425150 480	150	2856	44.68	175.0	175.0	145.0	145.0	26	26	30	30	2	2	248.8	235.8	281.8	50	62.0	2	350

Valve with gear is tested and prepared for use.

Steel ball valve  
DN 200 - 400, PN 25

Type 86214 / 86014  
**Full bore**  
Flange × Flange  
with ISO-flange

Product Sheet No.: 3.1



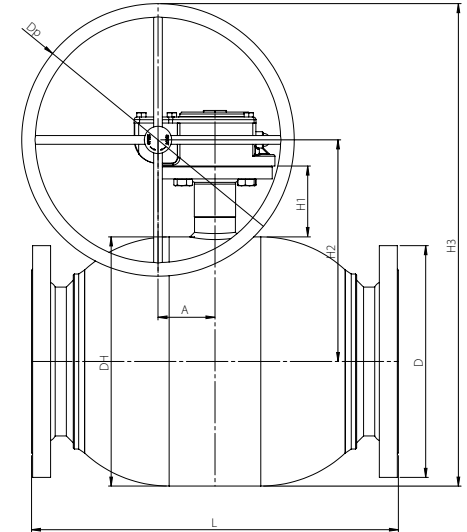
DN	BROEN No.	Bore	Kvs	net Weight kg	All dimensions in mm							
					DH	D	L	H1	H2	ds	i	ISO
200	8623425200 000	200	9200	101.9	356	355.6	550	115	360	45	67	F14
250	8623425250 000	250	13500	163.9	457	405.0	673	130	386	50	84	F16
300	8603425300 000	300	21600	288.2	508	460.0	850	155	507	60	100	F16
400	8603425400 000	400	35000	578.8	660	620.0	1016	180	527	80	112	F30

From DN 200, we recommend the use of gearboxes or actuators to enable controlled opening and closing of the valve and to prevent pressure surges in the system.

Steel ball valve  
DN 200 - 400, PN 25

Type 86214 / 86014  
**Full bore**  
Flange × Flange  
with BROEN-Gear

Product Sheet No.: 3.1



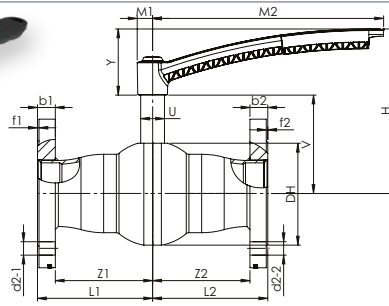
DN	BROEN No.	Bore	Kvs	net Weight kg	All dimensions in mm							
					DH	D	L	H1	H2	H3	Dp	A
200	8623425200 480	200	9200	105.0	356	355.6	550	115	330	555	450	68.8
250	8623425250 480	250	13500	168.9	457	405.0	673	130	407	657	500	104.5
300	8603425300 480	300	21600	296.6	508	460.0	850	155	464	639	350	130.0
400	8603425400 480	400	35000	646.9	660	620.0	1016	180	569	794	450	182.0

Valve with gear is tested and prepared for use.

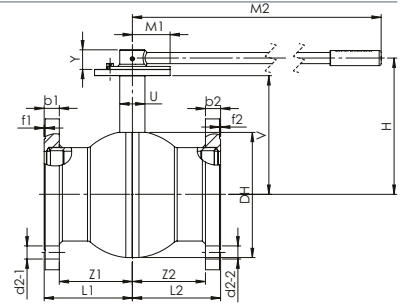
### Steel ball valve DN 65 - 150, PN 16

**Type BBM60461**  
**Full bore**  
**Flange × Flange**

Product Sheet No.: 3.1



DN 65 - 80



DN 100 - 150

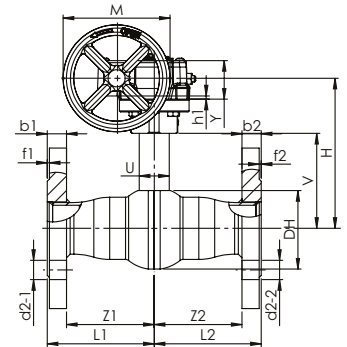
DN	BROEN No.	Bore	Kvs	net Weight kg	All dimensions in mm																
					L2	L2	Z1	Z2	d2-1	d2-2	b1	b2	f1	f2	DH	V	H	U	Y	M1	M2
65	8600416065 010	65	501	10.23	145.0	145.0	125.0	125.0	18	18	20	20	2	2	110.5	118.9	207.9	32	89	20.8	310.9
80	8600416080 010	80	755	12.72	155.0	155.0	135.0	135.0	18	18	20	20	2	2	137.1	132.5	221.5	32	89	20.8	310.9
100	8600416100 010	100	1167	18.87	175.0	175.0	153.0	153.0	18	18	22	22	2	2	168.1	172.7	207.7	40	39	45.0	365.0
125	8600416125 010	125	1848	25.18	162.5	162.5	140.5	140.5	18	18	22	22	2	2	206.4	191.8	226.8	45	39	62.5	650.0
150	8600416150 010	150	2664	35.46	175.0	175.0	151.0	151.0	22	22	24	24	2	2	248.8	235.8	270.8	50	39	75.0	900.4

From DN 100, we recommend the use of gearboxes or actuators to enable controlled opening and closing of the valve and to prevent pressure surges in the system.

### Steel ball valve DN 65 - 150, PN 16

**Type BBM60464**  
**Full bore**  
**Flange × Flange**  
**with BROEN-Gear**

Product Sheet No.: 3.1

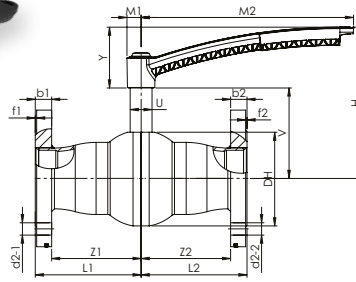


DN	BROEN No.	Bore	Kvs	net Weight kg	All dimensions in mm																
					L2	L2	Z1	Z2	d2-1	d2-2	b1	b2	f1	f2	DH	V	H	U	Y	h1	M
65	8600416065 480	65	501	12.00	145.0	145.0	125.0	125.0	18	18	20	20	2	2	110.5	123.9	177.4	32	39.5	2	100
80	8600416080 480	80	755	14.57	155.0	155.0	135.0	135.0	18	18	20	20	2	2	137.1	137.5	191.0	32	39.5	2	200
100	8600416100 480	100	1167	20.96	175.0	175.0	153.0	153.0	18	18	22	22	2	2	168.1	172.7	212.7	40	50.0	2	200
125	8600416125 480	125	1848	29.00	162.5	162.5	140.5	140.5	18	18	22	22	2	2	206.4	191.8	237.8	45	62.0	2	300
150	8600416150 480	150	2664	38.41	175.0	175.0	151.0	151.0	22	22	24	24	2	2	248.8	235.8	281.8	50	62.0	2	350

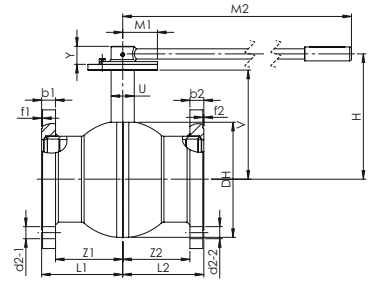
Valve with gear is tested and prepared for use.

### Steel ball valve DN 65 - 150, PN 16

**Type BBM62461**  
**Full bore**  
**Flange × Flange**  
**FLOWOPTIMIZED**



DN 65 - 80



DN 100 - 150

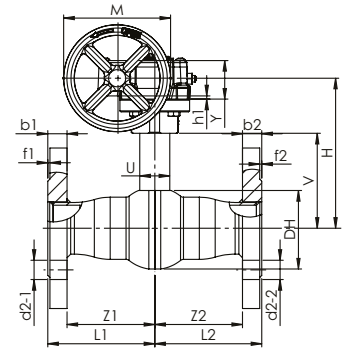
Product Sheet No.: 3.1

DN	BROEN No.	Bore	Kvs	net Weight kg	All dimensions in mm																
					L2	L2	Z1	Z2	d2-1	d2-2	b1	b2	f1	f2	DH	V	H	U	Y	M1	M2
65	8620416065 010	65	578	10.34	145.0	145.0	125.0	125.0	18	18	20	20	2	2	110.5	118.9	207.9	32	89	20.8	310.9
80	8620416080 010	80	842	12.89	155.0	155.0	135.0	135.0	18	18	20	20	2	2	137.1	132.5	221.5	32	89	20.8	310.9
100	8620416100 010	100	1271	19.13	175.0	175.0	153.0	153.0	18	18	22	22	2	2	168.1	172.7	207.7	40	39	45.0	365.0
125	8620416125 010	125	1963	25.57	162.5	162.5	140.5	140.5	18	18	22	22	2	2	206.4	191.8	226.8	45	39	62.5	650.0
150	8620416150 010	150	2856	36.06	175.0	175.0	151.0	151.0	22	22	24	24	2	2	248.8	235.8	270.8	50	39	75.0	900.4

From DN 100, we recommend the use of gearboxes or actuators to enable controlled opening and closing of the valve and to prevent pressure surges in the system.

### Steel ball valve DN 65 - 150, PN 16

**Type BBM62464**  
**Full bore**  
**Flange × Flange**  
**with BROEN-Gear**  
**FLOWOPTIMIZED**



Product Sheet No.: 3.1

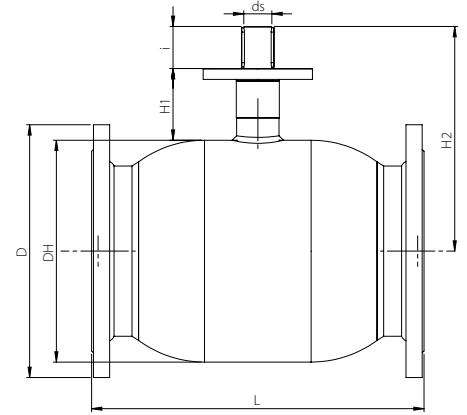
DN	BROEN No.	Bore	Kvs	net Weight kg	All dimensions in mm																
					L2	L2	Z1	Z2	d2-1	d2-2	b1	b2	f1	f2	DH	V	H	U	Y	h1	M
65	8620416065 480	65	578	12.11	145.0	145.0	125.0	125.0	18	18	20	20	2	2	110.5	123.9	177.4	32	39.5	2	100
80	8620416080 480	80	842	14.74	155.0	155.0	135.0	135.0	18	18	20	20	2	2	137.1	137.5	191.0	32	39.5	2	200
100	8620416100 480	100	1271	21.23	175.0	175.0	153.0	153.0	18	18	22	22	2	2	168.1	172.7	212.7	40	50.0	2	200
125	8620416125 480	125	1963	29.40	162.5	162.5	140.5	140.5	18	18	22	22	2	2	206.4	191.8	237.8	45	62.0	2	300
150	8620416150 480	150	2856	39.01	175.0	175.0	151.0	151.0	22	22	24	24	2	2	248.8	235.8	281.8	50	62.0	2	350

Valve with gear is tested and prepared for use.

Steel ball valve  
DN 200 - 400, PN 16

Type 86214 / 86014  
**Full bore**  
Flange × Flange  
with ISO-flange

Product Sheet No.: 3.1



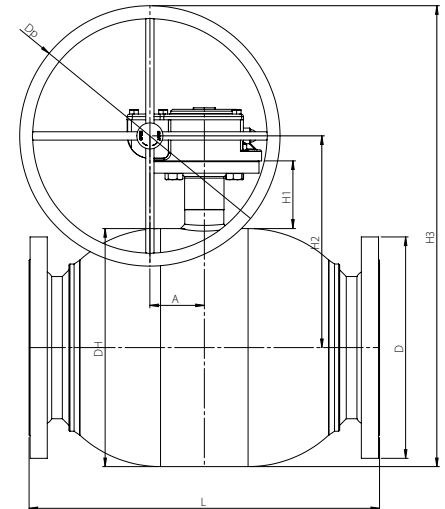
DN	BROEN No.	Bore	Kvs	net Weight kg	All dimensions in mm							
					DH	D	L	H1	H2	ds	i	ISO
200	8623416200 000	200	9200	101.9	356	355.6	550	115	360	45	67	F14
250	8623416250 000	250	13500	163.9	457	405.0	673	130	386	50	84	F16
300	8603416300 000	300	21600	288.2	508	460.0	850	155	507	60	100	F16
400	8603416400 000	400	35000	578.8	660	620.0	1016	180	527	80	112	F30

From DN 200, we recommend the use of gearboxes or actuators to enable controlled opening and closing of the valve and to prevent pressure surges in the system.

Steel ball valve  
DN 200 - 400, PN 16

Type 86214 / 86014  
**Full bore**  
Flange × Flange  
with BROEN-Gear

Product Sheet No.: 3.1



DN	BROEN No.	Bore	Kvs	net Weight kg	All dimensions in mm							
					DH	D	L	H1	H2	H3	Dp	A
200	8623416200 480	200	9200	105.0	356	355.6	550	115	330	555	450	68.8
250	8623416250 480	250	13500	168.9	457	405.0	673	130	407	657	500	104.5
300	8603416300 480	300	21600	296.6	508	460.0	850	155	464	639	350	130.0
400	8603416400 480	400	35000	646.9	660	620.0	1016	180	569	794	450	182.0

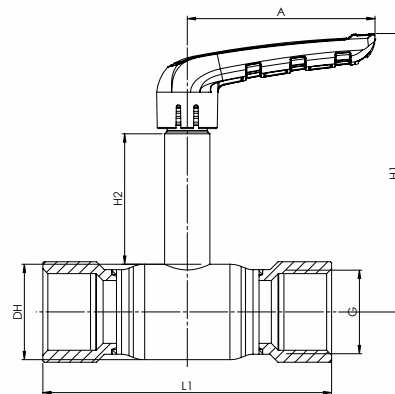
Valve with gear is tested and prepared for use.



Steel ball valve  
DN 15 - 50, PN 25

Type **BBM 17031**  
**Reduced bore**  
**Female x Female**

Product Sheet No.:



DN	BROEN No.	Bore	Kvs	net Weight kg	All dimensions in mm					
					G	DH	L1	H1	H2	A
15	1015007031-2101	10	15	0.32	1/2"	Ø26.0	82	107	55	75
20	1020007031-2101	15	28	0.42	3/4"	Ø30.0	109	109	55	75
25	1025007031-2101	20	46	0.49	1"	Ø38.0	115	112	55	75
32	1032007031-2101	25	74	0.98	1 1/4"	Ø45.0	142	128	52	100
40*	1040007031-2101	32	111	1.31	1 1/2"	Ø56.5	154	134	52	100
50*	1050007031-2101	40	183	2.22	2"	Ø68.0	191	156	63	120

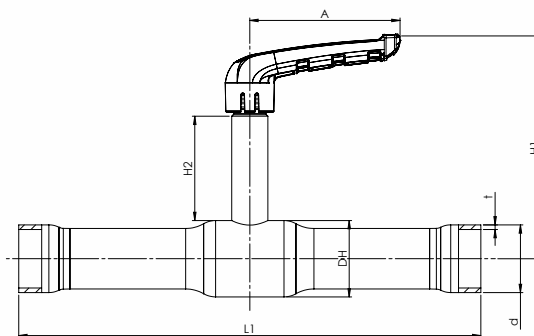
Available with T-handle and Gear handle upon request. Ex. 1015007031-2101: T-handle (only DN 15 - 32) = 1015007031-2401 / Gear handle = 1015007031-2201

\*DN 40 - 50 has hollow ball

Steel ball valve  
DN 15 - 50, PN 25

Type **BBM 17231**  
**Reduced bore**  
**Welding x Welding**

Product Sheet No.: 4.1



DN	BROEN No.	Bore	Kvs	net Weight kg	All dimensions in mm						
					DH	L1	d	t	H1	H2	A
15	1015007231-2101	10	15	0.41	Ø26.0	214	21.3	2.0	107	55	75
20	1020007231-2101	15	28	0.51	Ø30.0	230	26.9	2.0	109	55	75
25	1025007231-2101	20	46	0.67	Ø38.0	234	33.7	2.3	112	55	75
32	1032007231-2101	25	74	1.12	Ø45.0	254	42.4	2.6	128	52	100
40*	1040007231-2101	32	111	1.41	Ø56.5	260	48.3	2.6	134	52	100
50*	1050007231-2101	40	183	2.30	Ø68.0	280	60.3	2.6	156	60	100
65*	1065007231-2101	50	238	3.2	Ø85.0	300	76.1	2.9	165	63	120

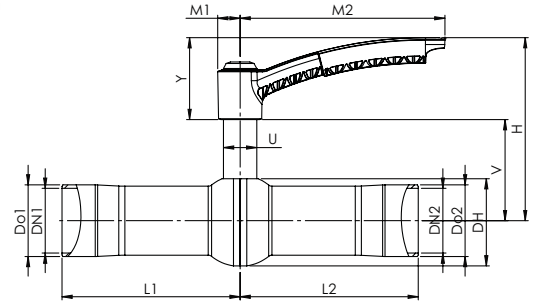
Available with T-handle and Gear handle upon request. Ex. 1015007231-2101: T-handle (only DN 15 - 32) = 1015007231-2401 / Gear handle = 1015007231-2201

\*DN 40 - 65R has hollow ball

Steel ball valve  
DN 50, PN 40

Type **BBM50241**  
**Reduced bore**  
**Welding × Welding**

Product Sheet No.: 4.1

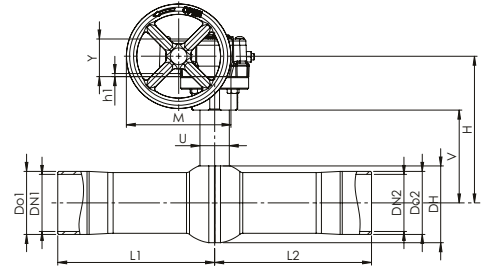


					All dimensions in mm												
DN	BROEN No.	Bore	Kvs	net Weight kg	L1	L2	Do1	Do2	DN1	DN2	DH	V	H	U	Y	M1	M2
50	8500240050 010	40	112	2.35	150.0	150.0	60.3	60.3	54.5	54.5	73.4	85.1	154.1	28	69.0	18.9	172.4

Steel ball valve  
DN 50, PN 40

Type **BBM50244**  
**Reduced bore**  
**Welding × Welding**  
**with BROEN-Gear**

Product Sheet No.: 4.1



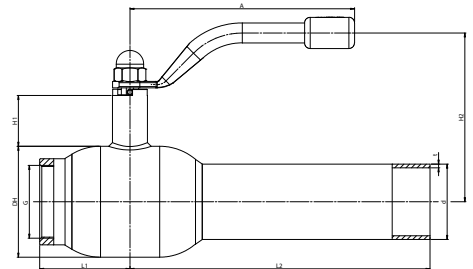
					All dimensions in mm												
DN	BROEN No.	Bore	Kvs	net Weight kg	L1	L2	Do1	Do2	DN1	DN2	DH	V	H	U	Y	M	h1
50	8500240050 480	40	112	3.65	150	150	60.3	60.3	54.5	54.5	73.4	88.7	140.4	28	36	100	3

Valve with gear is tested and prepared for use.

Steel ball valve  
DN 15 - 20, PN 40

Type **61101 / 64101**  
**Reduced bore**  
**Female × Welding - end extended**

Product Sheet No.: 4.1



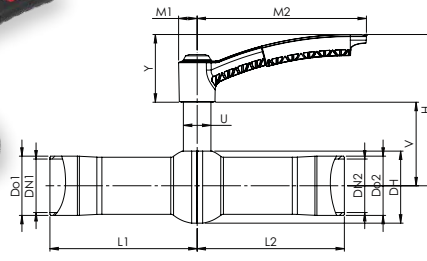
					All dimensions in mm									
DN	BROEN No.	Bore	Kvs	net Weight kg	G	DH	L1	d	t	L2	H1	H2	A	
15	61101015 S391801	10	8	0.7	½"	38	33	21.3	2.0	187	50	116	140	
20	64101020 S667101	15	15	0.8	¾"	42	38	26.9	2.3	189	47	115	140	

Available with T-handle upon request, without extra surcharge.

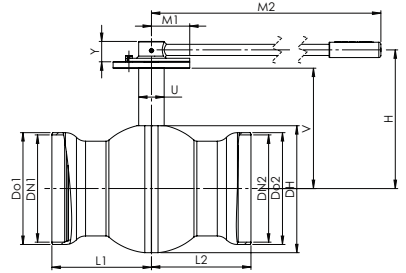
Steel ball valve  
DN 65 - 150, PN 25

Type **BBM50251**  
**Reduced bore**  
**Welding × Welding**

Product Sheet No.: 4.1



DN 80 - 100



DN 125 - 150

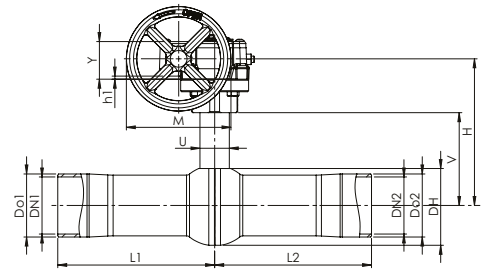
DN	BROEN No.	Bore	Kvs	net Weight kg	All dimensions in mm												
					L1	L2	Do1	Do2	DN1	DN2	DH	V	H	U	Y	M1	M2
80	8500225080 010	65	293	4.42	150.0	150.0	88.9	88.9	82.5	82.5	110.5	118.9	207.9	32	89.0	20.8	310.9
100	8500225100 010	80	471	6.55	162.5	162.5	114.3	114.3	107.1	107.1	137.1	132.5	221.5	32	89.0	20.8	310.9
125	8500225125 010	100	708	12.22	195.0	195.0	139.7	139.7	132.5	132.5	168.1	172.7	208.5	40	39.8	45.0	365.0
150	8500225150 010	125	1049	17.55	195.0	195.0	168.3	168.3	160.3	160.3	206.4	191.8	227.6	45	39.8	62.5	650.0

From DN 125, we recommend the use of gearboxes or actuators to enable controlled opening and closing of the valve and to prevent pressure surges in the system.

Steel ball valve  
DN 65 - 150, PN 25

Type **BBM50254**  
**Reduced bore**  
**Welding × Welding**  
**with BROEN-Gear**

Product Sheet No.: 4.1



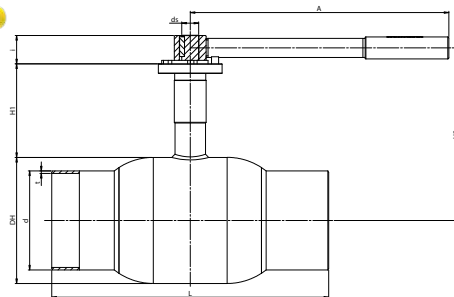
DN	BROEN No.	Bore	Kvs	net Weight kg	All dimensions in mm												
					L1	L2	Do1	Do2	DN1	DN2	DH	V	H	U	Y	M	h1
65	8500225065 480	50	186	4.47	150.0	150.0	76.1	76.1	70.3	70.3	90.0	97.3	148.8	28	36.0	100	3
80	8500225080 480	65	293	6.20	150.0	150.0	88.9	88.9	82.5	82.5	110.5	123.9	177.4	32	39.5	100	2
100	8500225100 480	80	471	8.40	162.5	162.5	114.3	114.3	107.1	107.1	137.1	137.5	191.0	32	39.5	200	2
125	8500225125 480	100	708	16.87	195.0	195.0	139.7	139.7	132.5	132.5	168.1	172.7	212.7	40	50.0	200	2
150	8500225150 480	125	1049	21.38	195.0	195.0	168.3	168.3	160.3	160.3	206.4	191.8	237.8	45	62.0	300	2

Valve with gear is tested and prepared for use.

Steel ball valve  
DN 200, PN 25

**Type 61102**  
**Reduced bore**  
**Welding × Welding**  
**with ISO-flange**

Product Sheet No.: 4.1



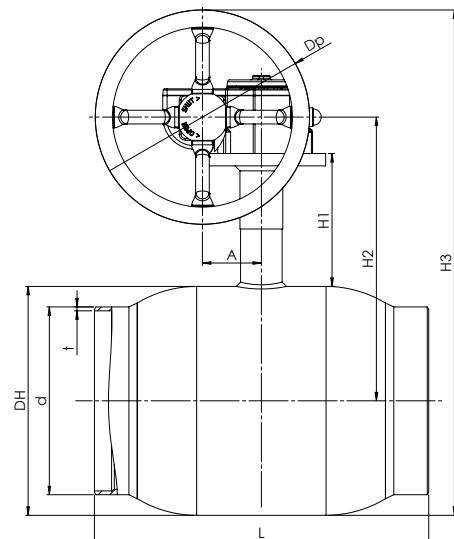
					All dimensions in mm									
DN	BROEN No.	Bore	Kvs	net Weight kg	DH	d	t	L	H1	H2	ds	i	A	ISO
200	61102200 010	150	1500	43.4	267	219.1	4.5	390	155	289	30	60	900	F12

From DN 200, we recommend the use of gearboxes or actuators to enable controlled opening and closing of the valve and to prevent pressure surges in the system.

Steel ball valve  
DN 200, PN 25

**Type 61102**  
**Reduced bore**  
**Welding × Welding**  
**with BROEN-Gear**

Product Sheet No.: 4.1



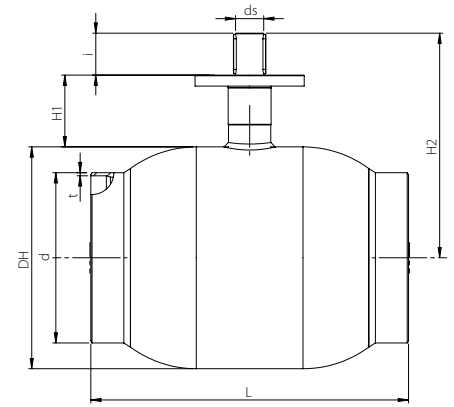
					All dimensions in mm									
DN	BROEN No.	Bore	Kvs	net Weight kg	DH	d	t	L	H1	H2	H3	Dp	A	
200	6110225200 480	150	1500	52.3	267	219.1	4.5	390	155	331	590	250	69	

Valve with gear is tested and prepared for use.

Steel ball valve  
DN 250 - 500, PN 25

Type 85012  
**Reduced bore**  
Welding x Welding

Product Sheet No.: 4.1

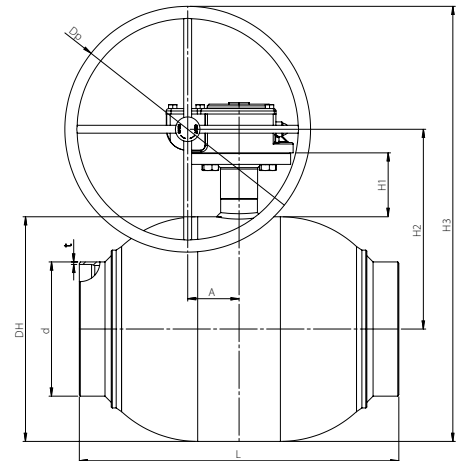


DN	BROEN No.	Bore	Kvs	net Weight kg	All dimensions in mm								
					DH	d	t	L	H1	H2	ds	i	ISO
250	8503225250 000	200	3200	68.0	356	273.0	5.0	509	115	349.8	45	67	F14
300	8503225300 000	250	4700	108.9	457	323.9	5.6	586	130	443.0	50	84	F16
350	8503225350 000	250	5500	127.8	457	355.6	5.6	662	130	443.0	50	84	F16
400	8503225400 000*	300	10600	192.2	508	406.4	6.3	734	155	506.5	60	100	F16
500	8503225500 000*	400	18150	374.0	660	508.0	6.3	889	180	622.0	80	112	F30

Steel ball valve  
DN 250 - 500, PN 25

Type 85012  
**Reduced bore**  
Welding x Welding  
with BROEN-Gear

Product Sheet No.: 4.1



DN	BROEN No.	Bore	Kvs	net Weight kg	All dimensions in mm								
					DH	d	t	L	H1	H2	H3	Dp	A
250	8503225250 480	200	3200	70.1	356	273.0	5.0	509	115	330	555	450	68.8
300	8503225300 480	250	4700	114.0	457	323.9	5.6	586	130	407	657	500	104.5
350	8503225350 480	250	5500	132.7	457	355.6	5.6	662	130	407	657	500	104.5
400	8503225400 480*	300	10600	200.6	508	406.4	6.3	736	155	464	639	350	130.0
500	8503225500 480*	400	18150	442.2	660	508.0	6.3	889	180	569	794	450	182.0

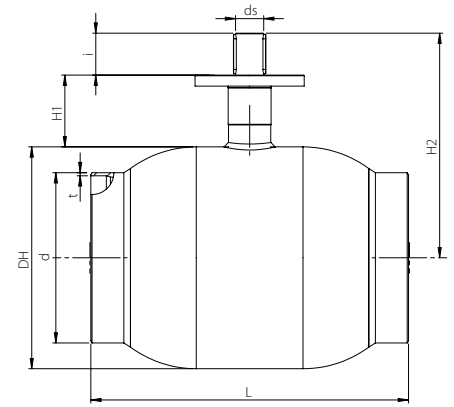
Valve with gear is tested and prepared for use.

Steel ball valve  
DN 250 - 500, PN 25

Type 85112  
Reduced bore  
Welding x Welding

FLOWOPTIMIZED

Product Sheet No.: 4.1



DN	BROEN No.	Bore	Kvs	net Weight kg	All dimensions in mm								
					DH	d	t	L	H1	H2	ds	i	ISO
250	8513225250 000	200	5300	69.8	356	273.0	5.0	509	115	349.8	45	67	F14
300	8513225300 000	250	8200	111.7	457	323.9	5.6	586	130	443.0	50	84	F16
350	8513225350 000	250	8900	130.6	457	355.6	5.6	662	130	443.0	50	84	F16
400	8513225400 000	300	13700	194.0	508	406.4	6.3	734	155	506.5	60	100	F16
500	8513225500 000	400	20300	376.4	660	508.0	6.3	889	180	622.0	80	112	F30

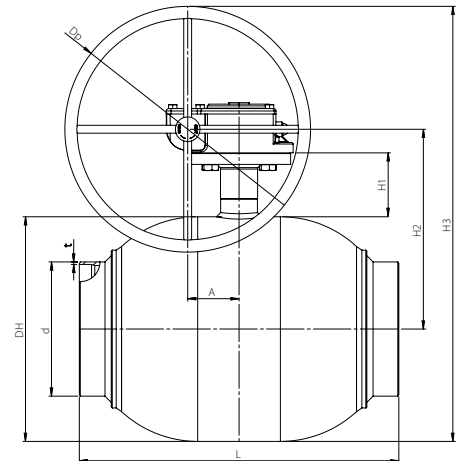
Flowoptimized - with in- and outlet sleeves for improved kv value.

Steel ball valve  
DN 250 - 500, PN 25

Type 85112  
Reduced bore  
Welding x Welding  
with BROEN-Gear

FLOWOPTIMIZED

Product Sheet No.: 4.1



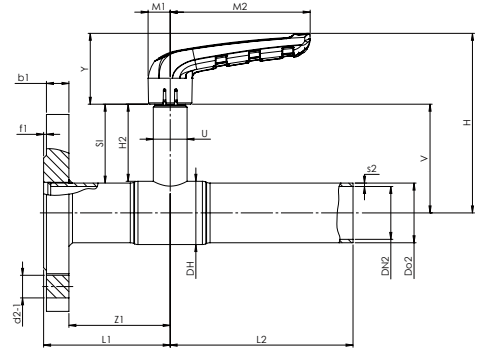
DN	BROEN No.	Bore	Kvs	net Weight kg	All dimensions in mm								
					DH	d	t	L	H1	H2	H3	Dp	A
250	8513225250 480	200	5300	72.7	356	273.0	5.0	509	115	330	555	450	68.8
300	8513225300 480	250	8200	116.6	457	323.9	5.6	586	130	407	657	500	104.5
350	8513225350 480	250	8900	135.3	457	355.6	5.6	662	130	407	657	500	104.5
400	8513225400 480	300	13700	203.2	508	406.4	6.3	736	155	464	639	350	130.0
500	8513225500 480	400	20300	444.8	660	508.0	6.3	889	180	569	794	450	182.0

Flowoptimized - with in- and outlet sleeves for improved kv value. Valve with gear is tested and prepared for use.

Steel ball valve  
DN 15 - 65, PN 25

Type 64104  
Reduced bore  
Flange × Welding

Product Sheet No.: 4.1

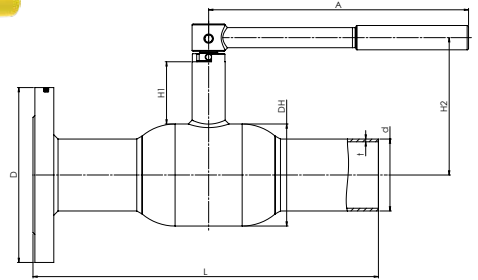


DN	BROEN No.	Bore	Kvs	net Weight kg	All dimensions in mm																
					L2	L2	Z1	Do1	Do2	D2-1	b1	n1	f1	s2	DH	V	H	U	Y	M1	M2
15	1015007431-2101	10	13		65	107	51	21.3	21.3	14	12	4	2	1.9	26.0	26.80	109	18	38	12.2	75
20	1020007431-2101	15	28		75	115	59	26.9	26.9	14	14	4	2	1.9	30.0	28.70	109	18	38	12.2	75
25	1025007431-2101	20	46		80	115	64	33.7	33.7	14	14	4	2	1.9	38.0	31.50	112	18	38	12.2	75
32	1032007431-2101	25	74		90	130	72	42.4	42.4	18	16	4	2	2.4	45.0	39.60	127	24	50	15.7	100
40	1040007431-2101	32	111		100	130	82	48.3	48.3	18	16	4	2	2.4	56.5	45.33	133	24	50	15.7	100
50	1050007431-2101	40	183		115	145	95	60.3	60.3	18	18	4	2	2.4	68.0	48.85	156	28	59	18.2	119
65	1065007431-2101	50	308		145	170	125	76.1	76.1	18	18	8	2	2.7	85.0	57.35	165	28	59	18.2	119

Steel ball valve  
DN 65 - 100, PN 25

Type 64104  
Reduced bore  
Flange × Welding

Product Sheet No.: 4.1

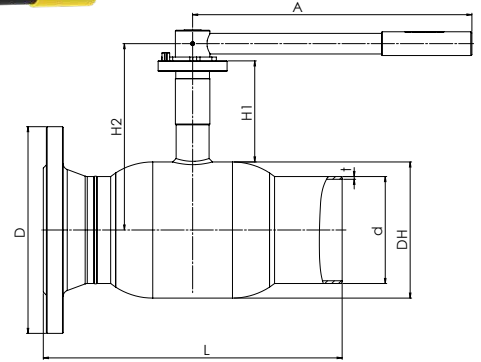


DN	BROEN No.	Bore	Kvs	net Weight kg	All dimensions in mm							
					DH	D	d	t	L	H1	H2	A
65	64104065 S271400	50	180	8.7	108.0	185	76.1	2.9	366.0	65.8	145.0	275
80	64104080 S233100	65	288	11.3	127.0	200	88.9	3.2	377.5	66.0	153.0	275
100	64104100 S271500	80	470	16.3	152.4	235	114.3	3.6	397.5	80.9	192.0	365

Steel ball valve  
DN 125 - 150, PN 25

**Type 61104**  
**Reduced bore**  
**Flange × Welding**  
**with ISO-flange**

Product Sheet No.: 4.1



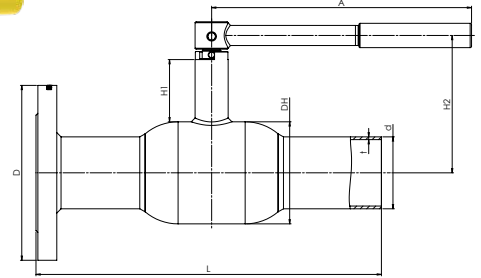
					All dimensions in mm								
DN	BROEN No.	Bore	Kvs	net Weight kg	DH	D	d	t	L	H1	H2	A	ISO
125	61104125 S188000	100	699	21.1	178	270	139.7	3.6	390	132	243	365	F07
150	61104150 S188100	125	1046	31.2	219	300	168.3	4.0	390	135	276	650	F10

From DN 125, we recommend the use of gearboxes or actuators to enable controlled opening and closing of the valve and to prevent pressure surges in the system.

Steel ball valve  
DN 65 - 100, PN 16

**Type 64104**  
**Reduced bore**  
**Flange × Welding**

Product Sheet No.: 4.1

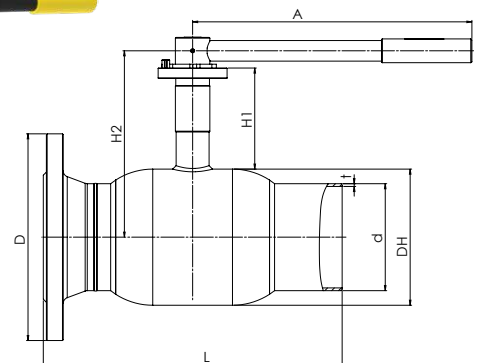


					All dimensions in mm								
DN	BROEN No.	Bore	Kvs	net Weight kg	DH	D	d	t	L	H1	H2	A	
65	64104065 S342500	50	180	8.7	108.0	185	76.1	2.9	360.0	65.8	145.0	275	
80	64104080 S226500	65	288	11.3	127.0	200	88.9	3.2	377.5	66.0	153.0	275	
100	64104100 S226600	80	470	16.3	152.4	220	114.3	3.6	397.5	80.9	192.0	365	

Steel ball valve  
DN 125 - 150, PN 16

**Type 61104**  
**Reduced bore**  
**Flange × Welding**  
**with ISO-flange**

Product Sheet No.: 4.1



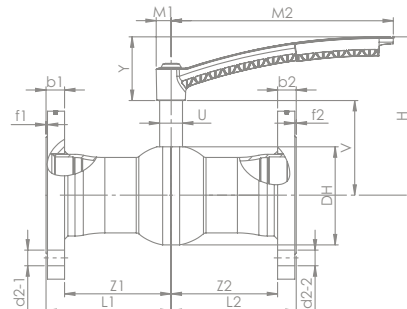
					All dimensions in mm								
DN	BROEN No.	Bore	Kvs	net Weight kg	DH	D	d	t	L	H1	H2	A	ISO
125	61104125 S226700	100	699	29.3	178	250	139.7	3.6	397.5	132	243	365	F07
150	61104150 S208600	125	1046	32.5	219	285	168.3	4.0	338.0	135	276	650	F10

From DN 125, we recommend the use of gearboxes or actuators to enable controlled opening and closing of the valve and to prevent pressure surges in the system.

Steel ball valve  
DN 50, PN 40

Type **BBM50441**  
**Reduced bore**  
**Flange × Flange**

Product Sheet No.: 4.1

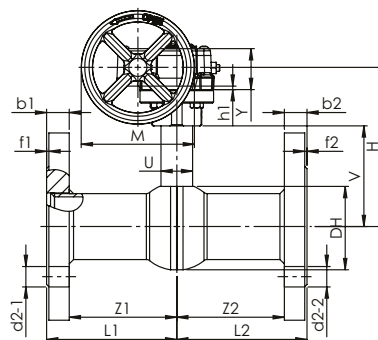


					All dimensions in mm																
DN	BROEN No.	Bore	Kvs	net Weight kg	L2	L2	Z1	Z2	d2-1	d2-2	b1	b2	f1	f2	DH	V	H	U	Y	M1	M2
50	8500440050 010	40	112	7.03	115	115	95	95	18	18	20	20	2	2	73.4	85.1	154.1	28	69	18.9	172.4

Steel ball valve  
DN 50, PN 40

Type **BM50444**  
**Reduced bore**  
**Flange × Flange**  
**with BROEN-Gear**

Product Sheet No.: 4.1



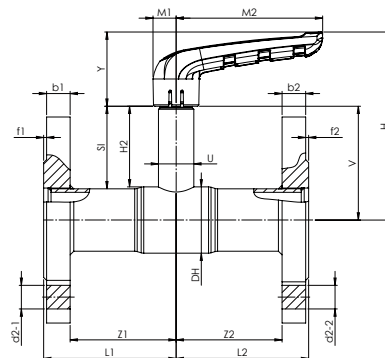
					All dimensions in mm																
DN	BROEN No.	Bore	Kvs	net Weight kg	L2	L2	Z1	Z2	d2-1	d2-2	b1	b2	f1	f2	DH	V	H	U	Y	h1	M
50	8500440050 480	40	112	8.34	115	115	95	95	18	18	20	20	2	2	73.4	88.7	161.0	28	36	3	100

Valve with gear is tested and prepared for use.

Steel ball valve  
DN 15 - 65, PN 40

Type **61103 / 64103**  
**Reduced bore**  
**Flange × Flange**

Product Sheet No.: 4.1

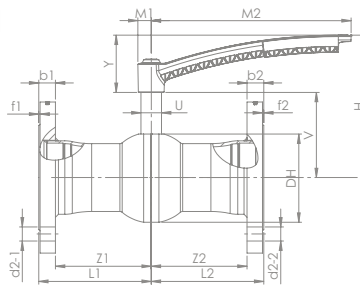


					All dimensions in mm																
DN	BROEN No.	Bore	Kvs	net Weight kg	L2	L2	Z1	Z2	d2-1	d2-2	b1	b2	f1	f2	DH	V	H	U	Y	M1	M2
15	1015007531-2101	10	13		65	65	51	51	14	14	12	12	2	2	26.0	38	109	18	38	12.2	75
20	1020007531-2101	15	28		75	75	59	59	14	14	14	14	2	2	30.0	38	109	18	38	12.2	75
25	1025007531-2101	20	46		80	80	64	64	14	14	14	14	2	2	38.0	38	112	18	38	12.2	75
32	1032007531-2101	25	74		90	90	72	72	18	18	16	16	2	2	45.0	50	127	24	50	15.7	100
40	1040007531-2101	32	111		100	100	82	82	18	18	16	16	2	2	56.5	50	133	24	50	15.7	100
50	1050007531-2101	40	183		115	115	95	95	18	18	18	18	2	2	68.0	59	156	28	59	18.2	119
65	1065007531-2101	50	308		145	145	125	125	18	18	18	18	2	2	85.0	59	165	28	59	18.2	119

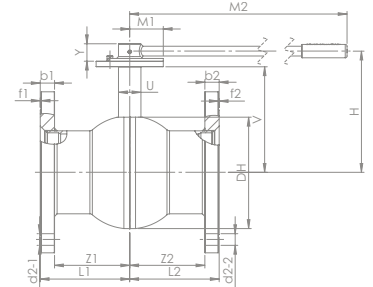
Steel ball valve  
DN 65 - 150, PN 25

Type **BBM50451**  
**Reduced bore**  
**Flange x Flange**

Product Sheet No.: 4.1



DN 65 - 100



DN 125 - 150

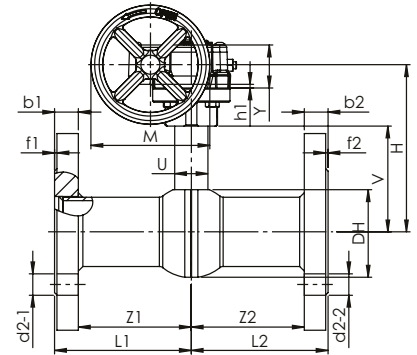
					All dimensions in mm																
DN	BROEN No.	Bore	Kvs	net Weight kg	L2	L2	Z1	Z2	d2-1	d2-2	b1	b2	f1	f2	DH	V	H	U	Y	M1	M2
65	8500425065 010	50	186	9,74	145,0	145,0	123,0	123,0	18	18	22	22	2	2	90,0	93,7	162,7	28	69	18,9	172,4
80	8500425080 010	65	293	12,58	155,0	155,0	131,0	131,0	18	18	24	24	2	2	110,5	118,9	207,9	32	89	20,8	310,9
100	8600425100 010	80	471	18,04	175,0	175,0	149,0	149,0	22	22	26	26	2	2	137,1	132,5	221,5	32	89	20,8	310,9
125	8500425125 010	100	708	27,37	162,5	162,5	134,5	134,5	26	26	28	28	2	2	168,1	172,7	207,7	40	39	45,0	365,0
150	8500425150 010	125	1049	37,56	175,0	175,0	145,0	145,0	26	26	30	30	2	2	206,4	191,8	226,8	45	39	62,5	650,0

From DN 125, we recommend the use of gearboxes or actuators to enable controlled opening and closing of the valve and to prevent pressure surges in the system.

Steel ball valve  
DN 65 - 150, PN 25

Type **BBM50454**  
**Reduced bore**  
**Flange x Flange**  
**with BROEN-Gear**

Product Sheet No.: 4.1



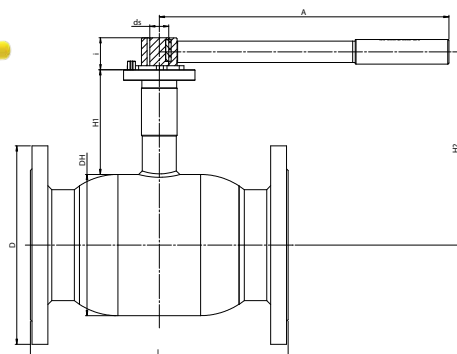
					All dimensions in mm																
DN	BROEN No.	Bore	Kvs	net Weight kg	L2	L2	Z1	Z2	d2-1	d2-2	b1	b2	f1	f2	DH	V	H	U	Y	h1	M
65	8500425065 480	50	186	11,05	145,0	145,0	123,0	123,0	18	18	22	22	2	2	90,0	97,3	148,8	28	36,0	2	100
80	8500425080 480	65	293	14,36	155,0	155,0	131,0	131,0	18	18	24	24	2	2	110,5	123,9	177,4	32	39,5	2	100
100	8500425100 480	80	471	19,89	175,0	175,0	149,0	149,0	22	22	26	26	2	2	137,1	137,5	191,0	32	39,5	2	200
125	8500425125 480	100	708	29,47	162,5	162,5	134,5	134,5	26	26	28	28	2	2	168,1	172,7	212,7	40	50,0	2	200
150	8500425150 480	125	1049	41,39	175,0	175,0	145,0	145,0	26	26	30	30	2	2	206,4	191,8	237,8	45	62,0	2	300

Valve with gear is tested and prepared for use.

Steel ball valve  
DN 200, PN 25

**Type 61103**  
**Reduced bore**  
**Flange x Flange**  
**with ISO-flange**

Product Sheet No.: 4.1



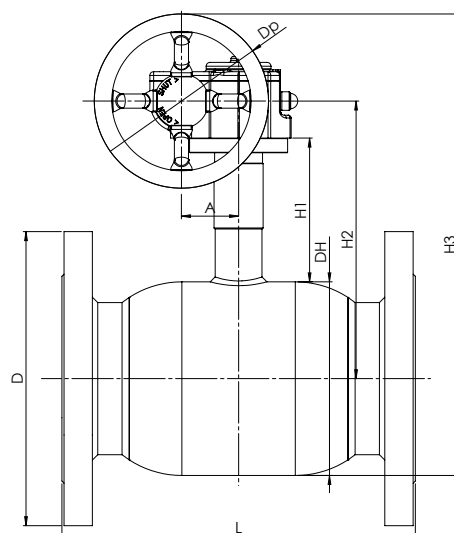
					All dimensions in mm								
DN	BROEN No.	Bore	Kvs	net Weight kg	DH	D	L	H1	H2	ds	i	A	ISO
200	6110325200 010	150	1500	61.7	267	360	400	155	289	30	60	900	F12

We recommend the use of gearboxes or actuators to enable controlled opening and closing of the valve and to prevent pressure surges in the system.

Steel ball valve  
DN 200, PN 25

**Type 61103**  
**Reduced bore**  
**Flange x Flange**  
**with ISO-flange**  
**and BROEN-Gear**

Product Sheet No.: 4.1



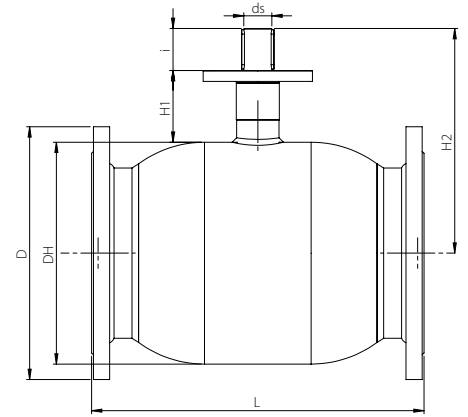
					All dimensions in mm								
DN	BROEN No.	Bore	Kvs	net Weight kg	DH	D	L	H1	H2	H3	Dp	A	
200	6110325200 480	150	1500	71.3	267	360	400	155	331	590	250	69	

Valve with gear is tested and prepared for use.

Steel ball valve  
DN 250 - 500, PN 25

Type 85014  
Reduced bore  
Flange x Flange

Product Sheet No.: 4.1

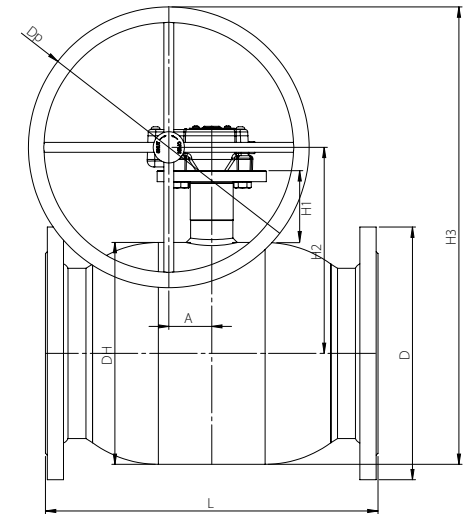


					All dimensions in mm							
DN	BROEN No.	Bore	Kvs	net Weight kg	DH	D	L	H1	H2	ds	i	ISO
250	8503425250 000	200	3200	94.4	356	405	533	115	360.0	45	67	F14
300	8503425300 000	250	4700	143.9	457	460	610	130	443.0	50	84	F16
350	8503425350 000	250	5500	180.8	457	520	686	130	443.0	50	84	F16
400	8503425400 000*	300	10600	301.1	508	620	762	155	506.5	60	100	F16
500	8503425500 000*	400	18150	541.2	660	730	914	180	622.5	80	112	F30

Steel ball valve  
DN 250 - 500, PN 25

Type 85014  
Reduced bore  
Flange x Flange  
with BROEN-Gear

Product Sheet No.: 4.1



					All dimensions in mm							
DN	BROEN No.	Bore	Kvs	net Weight kg	DH	D	L	H1	H2	H3	Dp	A
250	8503425250 480	200	3200	96.5	356	405	533	115	330	555	450	68.8
300	8503425300 480	250	4700	149.1	457	460	610	130	407	657	500	104.5
350	8503425350 480	250	5500	185.8	457	520	686	130	407	657	500	104.5
400	8503425400 480*	300	10600	309.6	508	620	762	155	464	639	350	130.0
500	8503425500 480*	400	18150	609.4	660	730	914	180	569	794	450	182.0

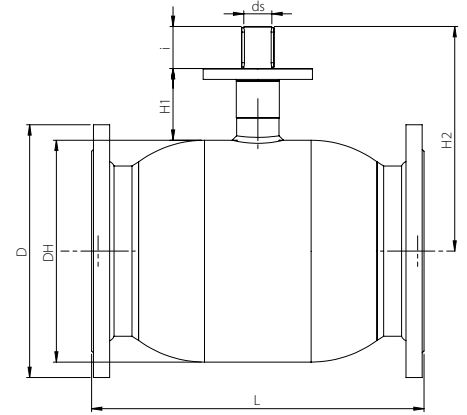
Valve with gear is tested and prepared for use.

Steel ball valve  
DN 250 - 500, PN 25

Type 85114  
Reduced bore  
Flange x Flange

**FLOWOPTIMIZED**

Product Sheet No.: 4.1



					All dimensions in mm							
DN	BROEN No.	Bore	Kvs	net Weight kg	DH	D	L	H1	H2	ds	i	ISO
250	8513425250 000	200	5300	96.2	356	405	533	115	360.0	45	67	F14
300	8513425300 000	250	8200	146.7	457	460	610	130	443.0	50	84	F16
350	8513425350 000	250	8900	183.6	457	520	686	130	443.0	50	84	F16
400	8513425400 000	300	13700	302.9	508	620	762	155	506.5	60	100	F16
500	8513425500 000	400	20300	543.6	660	730	914	180	622.5	80	112	F30

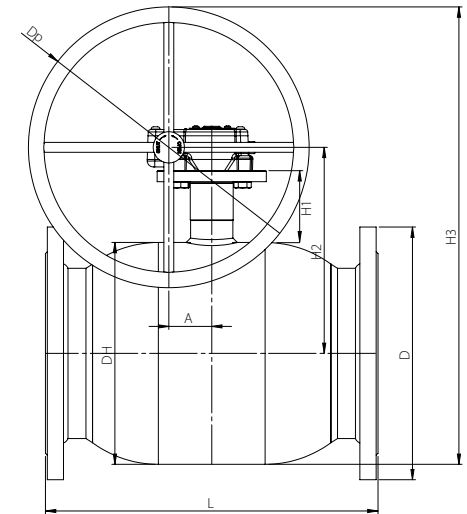
Flowoptimized - with in- and outlet sleeves for improved kv value.

Steel ball valve  
DN 250 - 500, PN 25

Type 85114  
Reduced bore  
Flange x Flange  
with BROEN-Gear

**FLOWOPTIMIZED**

Product Sheet No.: 4.1



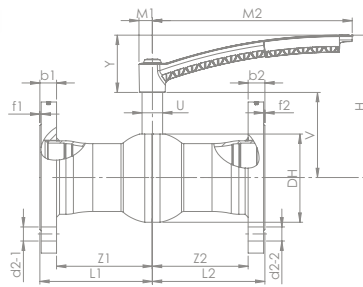
					All dimensions in mm							
DN	BROEN No.	Bore	Kvs	net Weight kg	DH	D	L	H1	H2	H3	Dp	A
250	8513425250 480	200	5300	99.1	356	405	533	115	330	555	450	68.8
300	8513425300 480	250	8200	151.7	457	460	610	130	407	657	500	104.5
350	8513425350 480	250	8900	188.4	457	460	686	130	407	657	500	104.5
400	8513425400 480	300	13700	312.2	508	620	762	155	464	639	350	130.0
500	8513425500 480	400	20300	612.0	660	730	914	180	569	794	450	182.0

Flowoptimized - with in- and outlet sleeves for improved kv value. Valve with gear is tested and prepared for use.

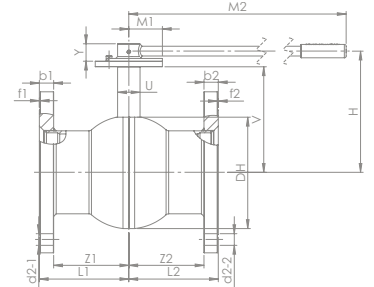
Steel ball valve  
DN 65 - 150, PN 16

Type **BBM50461**  
**Reduced bore**  
**Flange × Flange**

Product Sheet No.: 4.1



DN 65 - 100



DN 125 - 150

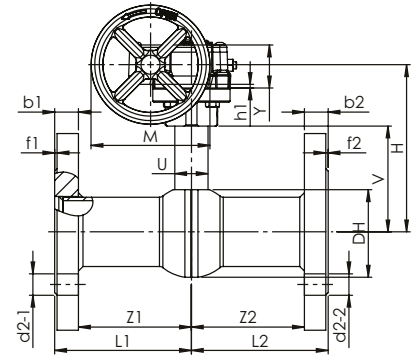
					All dimensions in mm																
DN	BROEN No.	Bore	Kvs	net Weight kg	L2	L2	Z1	Z2	d2-1	d2-2	b1	b2	f1	f2	DH	V	H	U	Y	M1	M2
65	8500416065 010	50	186	9,37	145,0	145,0	125,0	125,0	18	18	20	20	2	2	90,0	93,7	162,7	28	69	18,9	172,4
80	8500416080 010	65	293	11,17	155,0	155,0	135,0	135,0	18	18	20	20	2	2	110,5	118,9	207,9	32	89	20,8	310,9
100	8500416100 010	80	471	14,79	175,0	175,0	153,0	153,0	18	18	22	22	2	2	137,1	132,5	221,5	32	89	20,8	310,9
125	8500416125 010	100	708	21,74	162,5	162,5	140,5	140,5	18	18	22	22	2	2	168,1	172,7	207,7	40	39	45,0	365,0
150	8500416150 010	125	1049	31,08	175,0	175,0	151,0	151,0	22	22	24	24	2	2	206,4	191,8	226,8	45	39	62,5	650,0

From DN 125, we recommend the use of gearboxes or actuators to enable controlled opening and closing of the valve and to prevent pressure surges in the system.

Steel ball valve  
DN 65 - 150, PN 16

Type **BBM50464**  
**Reduced bore**  
**Flange × Flange**  
**with BROEN-Gear**

Product Sheet No.: 4.1



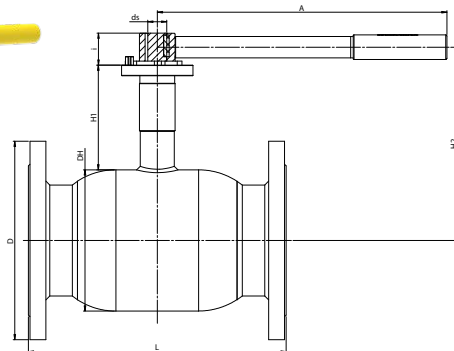
					All dimensions in mm																
DN	BROEN No.	Bore	Kvs	net Weight kg	L2	L2	Z1	Z2	d2-1	d2-2	b1	b2	f1	f2	DH	V	H	U	Y	h1	M
65	8500416065 480	50	186	10,68	145,0	145,0	125,0	125,0	18	18	20	20	2	2	90,0	97,3	148,8	28	36,0	3	100
80	8500416080 480	65	293	12,95	155,0	155,0	135,0	135,0	18	18	20	20	2	2	110,5	123,9	177,4	32	39,5	2	100
100	8500416100 480	80	471	16,64	175,0	175,0	153,0	153,0	18	18	22	22	2	2	137,1	137,5	191,0	32	39,5	2	200
125	8500416125 480	100	708	23,84	162,5	162,5	140,5	140,5	18	18	22	22	2	2	168,1	172,7	212,7	40	50,0	2	200
150	8500416150 480	125	1049	34,91	175,0	175,0	151,0	151,0	22	22	24	24	2	2	206,4	191,8	237,8	45	62,0	2	300

Valve with gear is tested and prepared for use.

Steel ball valve  
DN 200, PN 16

**Type 61103**  
**Reduced bore**  
**Flange × Flange**  
**with ISO-flange**

Product Sheet No.: 4.1



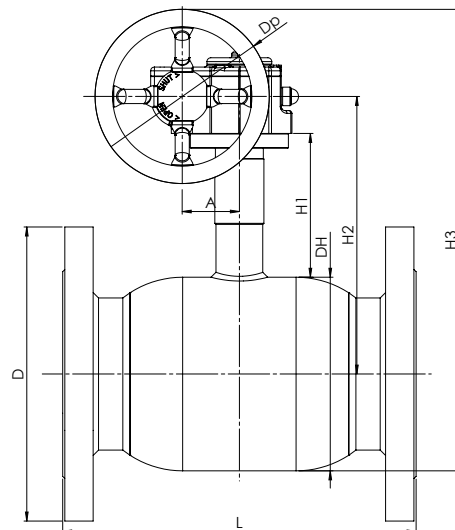
					All dimensions in mm								
DN	BROEN No.	Bore	Kvs	net Weight kg	DH	D	L	H1	H2	ds	i	A	ISO
200	61103200 010	150	1500	61.7	267	340	400	155	289	30	60	900	F12

We recommend the use of gearboxes or actuators to enable controlled opening and closing of the valve and to prevent pressure surges in the system.

Steel ball valve  
DN 200, PN 16

**Type 61103**  
**Reduced bore**  
**Flange × Flange**  
**with BROEN-Gear**

Product Sheet No.: 4.1



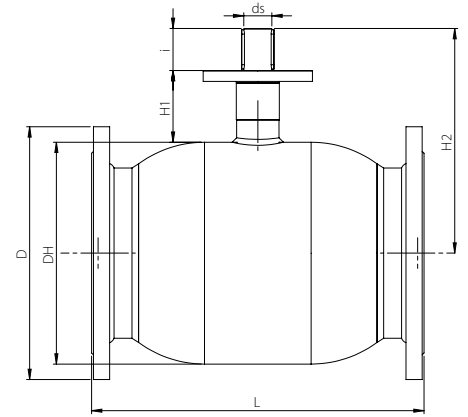
					All dimensions in mm							
DN	BROEN No.	Bore	Kvs	net Weight kg	DH	D	L	H1	H2	H3	Dp	A
200	61103200 480	150	1500	69.7	267	340	400	155	289	590	250	69

Valve with gear is tested and prepared for use.

Steel ball valve  
DN 250 - 500, PN 16

Type 85014  
Reduced bore  
Flange x Flange

Product Sheet No.: 4.1

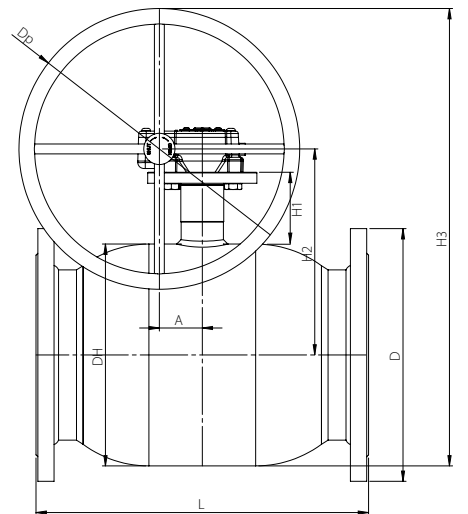


					All dimensions in mm							
DN	BROEN No.	Bore	Kvs	net Weight kg	DH	D	L	H1	H2	ds	i	ISO
250	8503416250 000	200	3200	94.4	356	405	533	115	360.0	45	67	F14
300	8503416300 000	250	4700	143.9	457	460	610	130	443.0	50	84	F16
350	8503416350 000	250	5500	180.8	457	520	686	130	443.0	50	84	F16
400	8503416400 000*	300	10600	301.1	508	620	762	155	506.5	60	100	F16
500	8503416500 000*	400	18150	541.2	660	730	914	180	622.5	80	112	F30

Steel ball valve  
DN 250 - 500, PN 16

Type 85014  
Reduced bore  
Flange x Flange  
with BROEN-Gear

Product Sheet No.: 4.1



					All dimensions in mm							
DN	BROEN No.	Bore	Kvs	net Weight kg	DH	D	L	H1	H2	H3	Dp	A
250	8503416250 480	200	3200	96.5	356	405	533	115	330	555	450	68.8
300	8503416300 480	250	4700	149.1	457	460	610	130	407	657	500	104.5
350	8503416350 480	250	5500	185.8	457	520	686	130	407	657	500	104.5
400	8503416400 480*	300	10600	309.6	508	620	762	155	464	639	350	130.0
500	8503416500 480*	400	18150	609.4	660	730	914	180	569	794	450	182.0

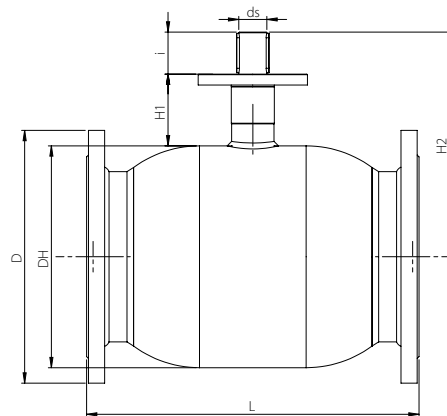
Valve with gear is tested and prepared for use..

Steel ball valve  
DN 250 - 500, PN 16

Type 85114  
Reduced bore  
Flange x Flange

**FLOWOPTIMIZED**

Product Sheet No.: 4.1



DN	BROEN No.	Bore	Kvs	net Weight kg	All dimensions in mm							
					DH	D	L	H1	H2	ds	i	ISO
250	8513416250 000	200	5300	96.2	356	405	533	115	360.0	45	67	F14
300	8513416300 000	250	8200	146.7	457	460	610	130	443.0	50	84	F16
350	8513416350 000	250	8900	183.6	457	520	686	130	443.0	50	84	F16
400	8513416400 000	300	13700	302.9	508	620	762	155	506.5	60	100	F16
500	8513416500 000	400	20300	543.6	660	730	914	180	622.5	80	112	F30

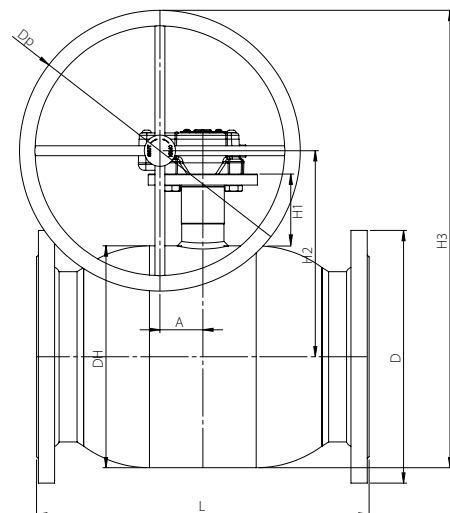
Flowoptimized - with in- and outlet sleeves for improved kv value.

Steel ball valve  
DN 250 - 500, PN 16

Type 85114  
Reduced bore  
Flange x Flange  
with BROEN-Gear

**FLOWOPTIMIZED**

Product Sheet No.: 4.1



DN	BROEN No.	Bore	Kvs	net Weight kg	All dimensions in mm							
					DH	D	L	H1	H2	H3	Dp	A
250	8513416250 480	200	5300	99.1	356	405	533	115	330	555	450	68.8
300	8513416300 480	250	8200	151.7	457	460	610	130	407	657	500	104.5
350	8513416350 480	250	8900	188.4	457	460	686	130	407	657	500	104.5
400	8513416400 480	300	13700	312.2	508	620	762	155	464	639	350	130.0
500	8513416500 480	400	20300	612.0	660	730	914	180	569	794	450	182.0

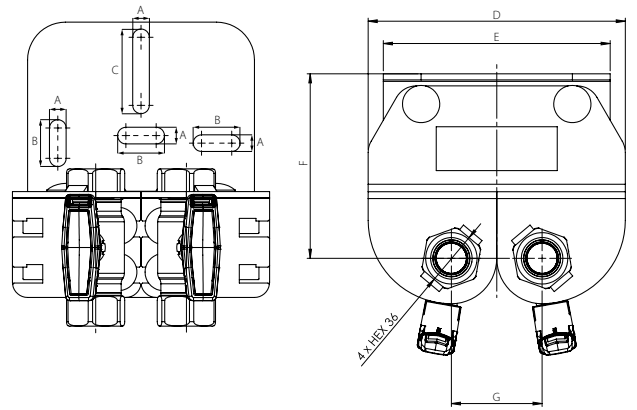
Flowoptimized - with in- and outlet sleeves for improved kv value. Valve with gear is tested and prepared for use.

### Flexible main stop valve DN 15 - 20, PN 25

**Type 69600**  
**Full bore**  
**Female x Female**

**INSULATION SHELLS incl.**

Product Sheet No.: 7.1



		All dimensions in mm							
DN	BROEN No.	A	B	C	RG	D	E	F	G
15	69600015 025I	11	31	56	½"	170	150	122 - 143	60 - 225
20	69600020 025I	11	31	56	¾"	170	150	122 - 143	60 - 225

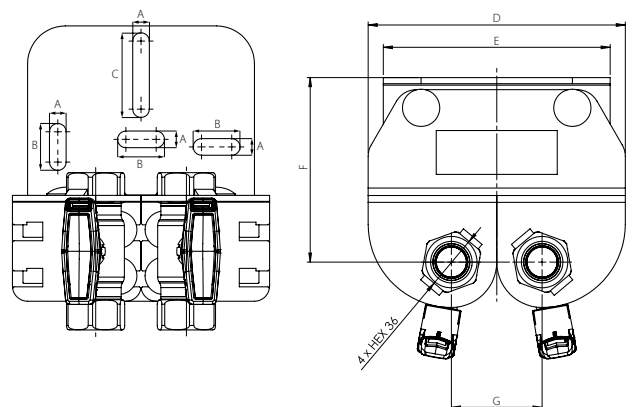
Designed for both twin- and singlepipes.

### Flexible main stop valve DN 15 - 20, PN 25

**Type 69601**  
**Full bore**  
**Welding x Female**

**INSULATION SHELLS incl.**

Product Sheet No.: 7.1



		All dimensions in mm							
DN	BROEN No.	A	B	C	RG	D	E	F	G
15	69601015 025I	11	31	56	½"	170	150	122 - 143	60 - 225
20	69601020 025I	11	31	56	¾"	170	150	122 - 143	60 - 225

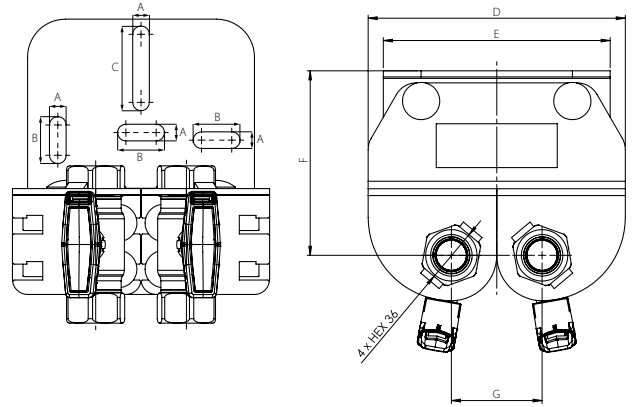
Designed for both twin- and singlepipes.

### Flexible main stop valve DN 15 - 20, PN 25

**Type 69602**  
**Full bore**  
**Welding x Welding**

**INSULATION SHELLS incl.**

Product Sheet No.: 7.1



		All dimensions in mm							
DN	BROEN No.	A	B	C	RG	D	E	F	G
15	69602015 025I	11	31	56	1/2"	170	150	122 - 143	60 - 225
20	69602020 025I	11	31	56	3/4"	170	150	122 - 143	60 - 225

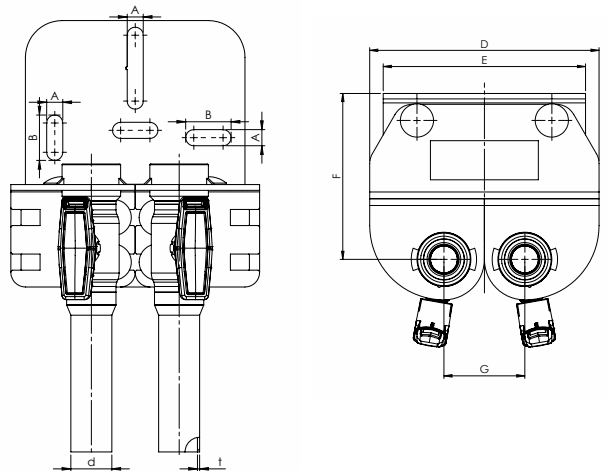
Designed for both twin- and singlepipes.

### Flexible main stop valve DN 20 - 25, PN 16

**Type 69603**  
**Full bore**  
**Female x Copper**

**INSULATION SHELLS INCL.**

Product Sheet No.: 7.1

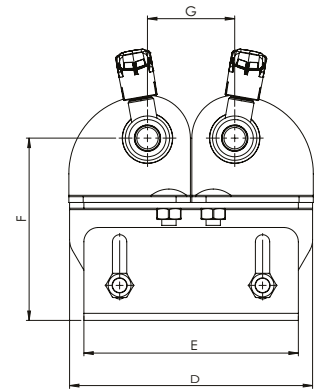
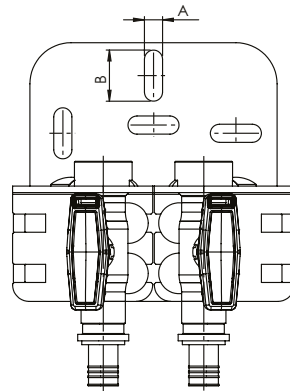


		All dimensions in mm								
DN	BROEN No.	A	B	C	RG	d x t	D	E	F	G
20	69603020 025I	11	31	56	3/4"	22 x 1	170	150	122 - 143	60 - 225
25	69603025 025I	11	31	56	1"	28 x 1,5	170	150	122 - 143	60 - 225

### Flexible main stop valve DN 20 - 25, PN 25

**Type 69607**  
**Reduceret boring**  
**Female x PE-RT**

Datablad nr.: 7.1



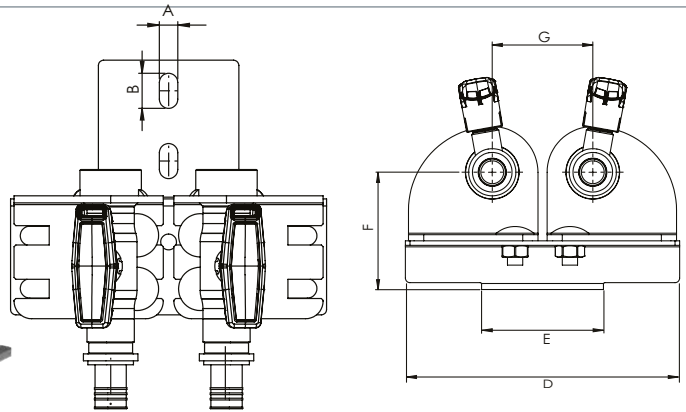
WITH INSULATION SHELLS			Alle Maßangaben in mm						
DN	BROEN No.	Variant	A	B	RG	D	E	F	G
20	69607020 025I	Logstor	11	31	¾"×25	170	150	128-158	61-168
25	69607025 025I	Logstor	11	31	1"×32	170	150	128-158	61-168
WITHOUT INSULATION SHELLS		Variant	Alle Maßangaben in mm						
20	69607020 025	Logstor	11	31	¾"×25	170	150	128-158	61-168
25	69607025 025	Logstor	11	31	1"×32	170	150	128-158	61-168

### Flexible main stop valve DN 20 - 25, PN 25

**Type 69608**  
**Reduceret boring**  
**Female x PE-RT**

For cabinet.

Datablad nr.: 7.1

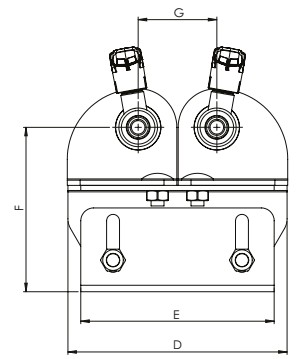
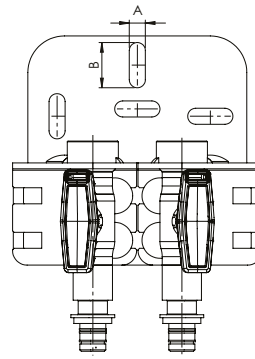


WITH INSULATION SHELLS			All dimensions in mm						
DN	BROEN No.	Variant	A	B	RG	D	E	F	G
20	69608020 025I	Logstor	10.5	20	¾"×25	180	80	77	61-168
25	69608025 025I	Logstor	10.5	20	1"×32	180	80	77	61-168
WITHOUT INSULATION SHELLS		Variant	All dimensions in mm						
20	69608020 025	Logstor	10.5	20	¾"×25	180	80	77	61-168
25	69608025 025	Logstor	10.5	20	1"×32	180	80	77	61-168

### Flexible main stop valve DN 20 - 25, PN 25

**Type 69605**  
**Reduced bore**  
**Female x Alupex**

Product Sheet No.: 7.1

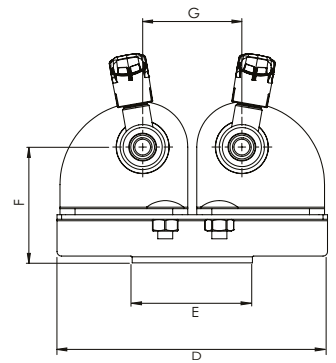
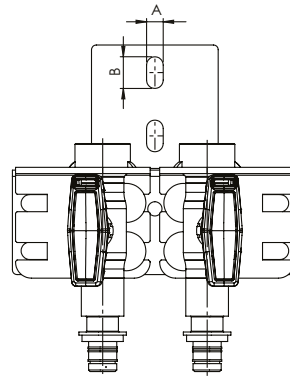


WITH INSULATION SHELLS			All dimensions in mm						
DN	BROEN No.	Variant	A	B	RG	D	E	F	G
20	69605020 025I	Logstor	11	31	¾"×20	170	150	128-158	61-168
20	69605A20 025I	Logstor	11	31	¾"×26	170	150	128-158	61-168
20	69606B20 025I	ISOPlus	11	31	¾"×20	170	150	128-158	61-168
25	69607B25 025I	ISOPlus	11	31	1"×25	170	150	128-158	61-168
25	69605025 025I	Logstor	11	31	1"×32	170	150	128-158	61-168
WITHOUT INSULATION SHELLS		Variant	All dimensions in mm						
20	69605020 025	Logstor	11	31	¾"×20	170	150	128-158	61-168
20	69605A20 025	Logstor	11	31	¾"×26	170	150	128-158	61-168
20	69606B20 025	ISOPlus	11	31	¾"×20	170	150	128-158	61-168
25	69607B25 025	ISOPlus	11	31	1"×25	170	150	128-158	61-168
25	69605025 025	Logstor	11	31	1"×32	170	150	128-158	61-168

### Flexible main stop valve DN 20 - 25, PN 25

**Type 69606**  
**Reduced bore**  
**Female x Alupex**  
For cabinet.

Datablad nr.: 7.1



WITH INSULATION SHELLS			All dimensions in mm						
DN	BROEN No.	Variant	A	B	RG	D	E	F	G
20	69606020 025I	Logstor	10,5	20	¾"×20	180	80	77	66-168
20	69606A20 025I	Logstor	10,5	20	¾"×26	180	80	77	66-168
20	69605B20 025I	ISOPlus	10,5	20	¾"×20	180	80	77	66-168
25	69608B25 025I	ISOPlus	10,5	20	1"×25	180	80	77	66-168
25	69606025 025I	Logstor	10,5	20	1"×32	180	80	77	66-168
WITHOUT INSULATION SHELLS		Variant	All dimensions in mm						
20	69606020 025	Logstor	10,5	20	¾"×20	180	80	77	66-168
20	69606A20 025	Logstor	10,5	20	¾"×26	180	80	77	66-168
20	69605B20 025	ISOPlus	10,5	20	¾"×20	180	80	77	66-168
25	69608B25 025	ISOPlus	10,5	20	1"×25	180	80	77	66-168
25	69606025 025	Logstor	10,5	20	1"×32	180	80	77	66-168

Flexible main stop valve  
DN 15 - 25, PN 16

Type 69301  
**Reduced bore**  
Copper × Female



DN	Copper-end	BROEN No.
15	Ø 18 × 1,0	69301018 025
20	Ø 22 × 1,0	69301022 025
25	Ø 28 × 1,2	69301028 025

**Description:** Flexible main stop valve for house inlets. As standard delivered with red and blue T-handles.

Flexible main stop valve  
DN 20 - 25, PN 16

Type 69302  
**Reduced bore**  
Welding × Copper



DN	Copper-end	BROEN No.
20	Ø 22 × 1,0	69302022S251100
25	Ø 28 × 1,2	69302028S251200

**Description:** Flexible main stop valve for house inlets. As standard delivered with red and blue T-handles.

Flexible main stop valve  
DN 20 - 25, PN 16

Type 69302  
**Reduced bore**  
Copper × Copper



DN	Copper-end	BROEN No.
20	Ø 22 × 1,0	69302022 025
25	Ø 28 × 1,2	69302028 025

**Description:** Flexible main stop valve for house inlets. As standard delivered with red and blue T-handles.

Flexible main stop valve  
DN 20 - 25, PN 16

Type 69.301V  
Reduced bore  
Copper × Female



DN	Copper-end	BROEN No.
20	Ø 22 × 1,0	69301V22 025
25	Ø 28 × 1,2	69301V28 025

**Description:** Flexible main stop valve for house inlets. As standard delivered with red and blue T-handles.

Flexible main stop valve  
DN 25 - 32, PN 40

Type 69300  
Reduced bore  
Female × Female



DN	BROEN No.
25	69300025 025
32	69300032 025

**Description:** Flexible main stop valve for house inlets. As standard delivered with red and blue T-handles.

Flexible main stop valve  
DN 25 - 32, PN 40

Type 69301  
Reduced bore  
Welding × Female



DN	BROEN No.
25	69301025 025
32	69301032 025

**Description:** Flexible main stop valve for house inlets. As standard delivered with red and blue T-handles.

Flexible main stop valve  
DN 25 - 32, PN 40

Type 69302  
Reduced bore  
Welding × Welding



DN	BROEN No.
25	69302025 025
32	69302032 025

**Description:** Flexible main stop valve for house inlets. As standard delivered with red and blue T-handles.

Flexible main stop valve  
DN 25, PN 40

Typ 69.301V  
Reduced bore  
Welding × Female



DN	BROEN No.
25	69301V25 025

**Description:** Flexible main stop valve for house inlets. As standard delivered with red and blue T-handles.

Cabinet solution  
DN 20, PN 25

Type 69620

**INSULATION SHELLS incl.**

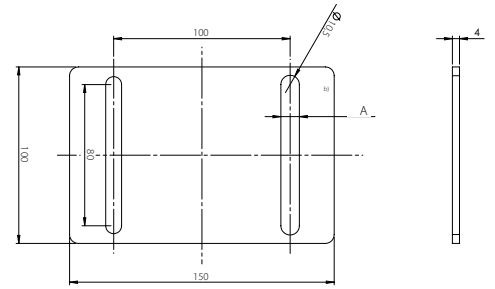
Product Sheet No.: 7.1



DN	BROEN nr.
20	69600020S781700

Bracket for extension  
DN 15 - 20 FB & DN 25-32 RB

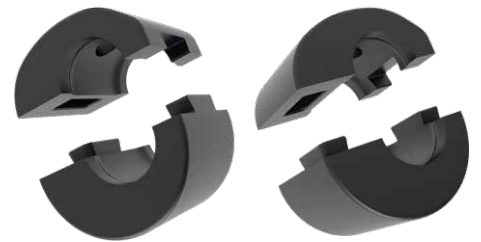
Type 103967 + Type 316800



DN	BROEN No.	Width - mm	Height - mm	Depth - mm	A
15 - 20 FB	103967	150	100	4	10,5
25 - 32 RB	316800	150	100	4	9

Insulation shells  
DN 15 - 20 FB & DN 20-25 RB

Type 600...



DN	BROEN No.
15 FB	600825
20 FB	600826

T-handles  
DN 15 - 20 FB & DN 20-25 RB

Type 901555  
with red and blue clips



DN	BROEN No.
15 - 20 FB & 20 - 25 RB	9015550022

Lock fitting  
DN 15 - 20 FB & DN 20 - 25 RB

Type 600749



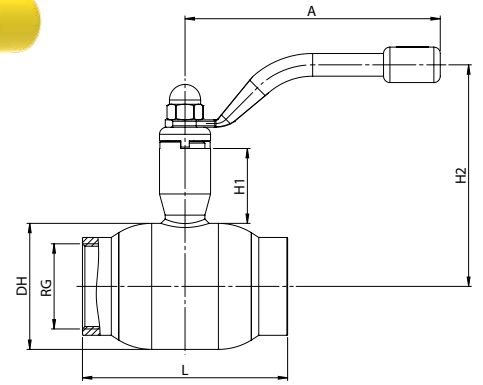
DN	BROEN No.
15 - 20 FB & 20 - 25 RB	600749

FB = full bore | RB = reduced bore

High temperature valve  
DN 10 - 50, PN 40

**Type 55100**  
**Reduced bore**  
**Female x Female**

Product Sheet No.: 8.1



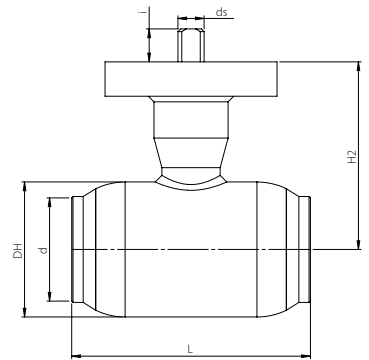
					All dimensions in mm					
DN	BROEN No.	Bore	Kvs	net Weight kg	RG	DH	L	H1	H2	A
10	5510040010 010	10	7	0.6	3/8"	38.0	65	42	104	140
15	5510040015 010	10	8	0.6	1/2"	38.0	65	42	104	140
20	5510040020 010	15	15	0.7	3/4"	42.4	75	44	107	140
25	5510040025 010	20	27	0.8	1"	51.0	90	44	112	140
32	5510040032 010	25	40	1.2	1 1/4"	57.0	105	45	116	140
40	5510040040 010	32	69	2.1	1 1/2"	76.1	120	68	150	180
50	5510040050 010	40	110	2.9	2"	88.9	145	68	156	180

Suitable for steam.

High temperature valve  
DN 10 - 50, PN 40

**Type 55100**  
**Reduced bore**  
**Female x Female**  
**with ISO-flange**

Product Sheet No.:



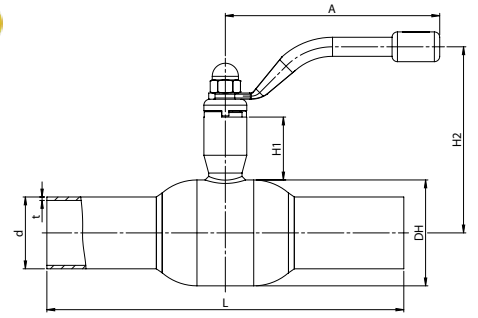
					All dimensions in mm						
DN	BROEN No.	Bore	Kvs	net Weight kg	d	DH	L	H2	ds	i	ISO
10	5510040010 300	10	7	0.7	3/8"	38.0	65	63	10	12.5	F5
15	5510040015 300	10	8	0.7	1/2"	38.0	65	63	10	12.5	F5
20	5510040020 300	15	15	0.8	3/4"	42.4	75	67	10	12.5	F5
25	5510040025 300	20	27	0.9	1"	51.0	90	71	10	12.5	F5
32	5510040032 300	25	40	1.3	1 1/4"	57.0	105	75	10	12.5	F5
40	5510040040 300	32	69	2.2	1 1/2"	76.1	120	106	14	18.0	F7
50	5510040050 300	40	110	3.0	2"	88.9	145	112	14	18.0	F7

Suitable for steam. ISO-flange acc. ISO5211.

High temperature valve  
DN 10 - 50, PN 40

**Type 55102**  
**Reduced bore**  
**Welding x Welding**

Product Sheet No.: 8.1



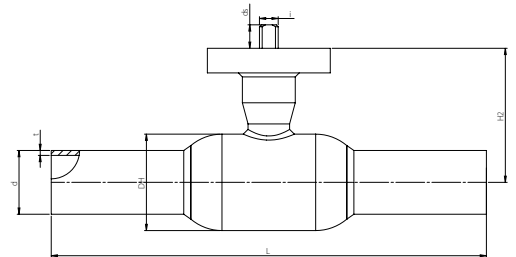
DN	BROEN No.	Bore	Kvs	net Weight kg	All dimensions in mm						
					DH	L	d	t	H1	H2	A
10	5510240010 010	10	7	0.8	38.0	210	17.2	1.8	42	104	140
15	5510240015 010	10	8	0.8	38.0	210	21.3	2.0	42	104	140
20	5510240020 010	15	15	0.8	42.4	230	26.9	2.3	44	107	140
25	5510240025 010	20	27	1.0	51.0	230	33.7	2.6	44	112	140
32	5510240032 010	25	40	1.4	57.0	260	42.4	2.6	45	116	140
40	5510240040 010	32	69	2.2	76.1	260	48.3	2.6	68	150	180
50	5510240050 010	40	110	2.9	88.9	300	60.3	2.9	68	156	180

Suitable for steam.

High temperature valve  
DN 10 - 50, PN 40

**Type 55102**  
**Reduced bore**  
**Welding x Welding**  
**with ISO-flange**

Product Sheet No.:



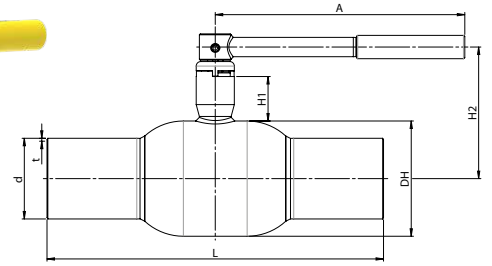
DN	BROEN No.	Bore	Kvs	net Weight kg	All dimensions in mm							
					d	DH	L	t	H2	ds	i	ISO
10	5510240010 300	10	7	0.9	17.2	38.0	210	1.8	63	10	12.5	F5
15	5510240015 300	10	8	0.9	21.3	38.0	210	2.0	63	10	12.5	F5
20	5510240020 300	15	15	0.9	26.9	42.4	230	2.3	67	10	12.5	F5
25	5510240025 300	20	27	1.1	33.7	51.0	230	2.6	71	10	12.5	F5
32	5510240032 300	25	40	1.5	42.4	57.0	260	2.6	75	10	12.5	F5
40	5510240040 300	32	69	2.3	48.3	76.1	260	2.6	106	14	18.0	F7
50	5510240050 300	40	110	3.0	60.3	88.9	300	2.9	112	14	18.0	F7

Suitable for steam. ISO-flange acc. ISO5211.

High temperature valve  
DN 65 - 200, PN 25

**Type 55102**  
**Reduced bore**  
**Welding x Welding**

Product Sheet No.: 8.1



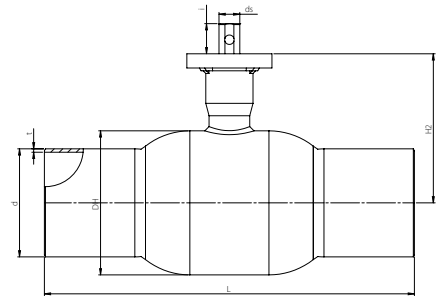
DN	BROEN No.	Bore	Kvs	net Weight kg	All dimensions in mm						
					DH	L	d	t	H1	H2	A
65	5510225065 010	50	180	4.5	108.0	360	76.1	2.9	65	135	275
80	5510225080 010	65	288	5.9	127.0	370	88.9	3.2	66	145	275
100	5510225100 010	80	417	9.4	152.4	390	114.3	3.6	81	178	365
125	5510225125 010	100	699	13.0	177.8	390	139.7	3.6	104	217	365
150	5510225150 010	125	1046	19.9	219.1	390	168.3	4.0	103	240	650
200	5510225200 010	150	1500	35.2	267.0	390	219.1	4.5	153	318	900

Suitable for steam.

High temperature valve  
DN 65 - 200, PN 25

**Type 55102**  
**Reduced bore**  
**Welding x Welding**  
**with ISO-flange**

Product Sheet No.:



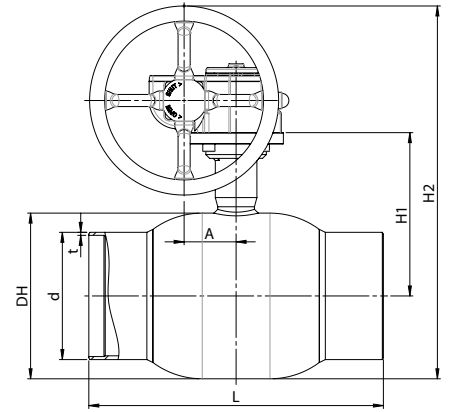
DN	BROEN No.	Bore	Kvs	net Weight kg	All dimensions in mm							
					d	DH	L	t	H2	ds	i	ISO
65	5510225065 300	50	180	4.5	76.1	108.0	360	2.9	149	17	29.5	F7
80	5510225080 300	65	288	5.9	88.9	127.0	370	3.2	159	17	29.5	F7
100	5510225100 300	80	417	8.9	114.3	152.4	390	3.6	190	22	31.9	F7
125	5510225125 300	100	699	13.8	139.7	177.8	390	3.6	229	24	32.0	F10
150	5510225150 300	125	1046	18.7	168.3	219.1	390	4.0	269	30	53.3	F10
200	5510225200 300	150	1500	31.4	219.1	267.0	390	4.5	349	30	62.8	F14

Suitable for steam. ISO-flange acc. ISO5211. We recommend using gear from DN 125.

High temperature valve  
DN 125 - 200, PN 25

**Type 55102**  
**Reduced bore**  
**Welding x Welding**  
**with BROEN-Gear**

Product Sheet No.: 8.1



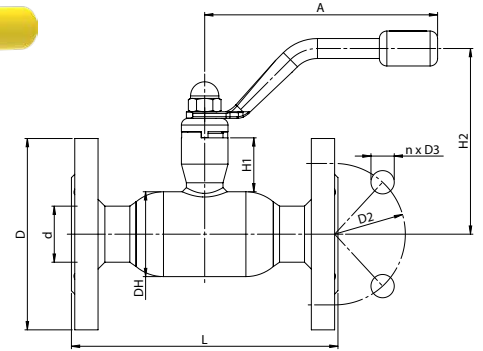
DN	BROEN No.	Bore	Kvs	net Weight kg	All dimensions in mm							
					DH	L	d	t	H1	H2	dp	A
125	5510225125 480	100	699	18.2	177.8	390	139.7	3.6	197	224	200	55
150	5510225150 480	125	1046	26.5	219.1	390	168.3	4.0	216	250	300	69
200	5510225200 480	150	1500	39.2	267.0	390	219.1	4.5	286	320	300	69

Suitable for steam. Valve with gear is tested and prepared for use.

High temperature valve  
DN 15 - 50, PN 40

**Type 55103**  
**Reduced bore**  
**Flange × Flange**

Product Sheet No.: 8.1



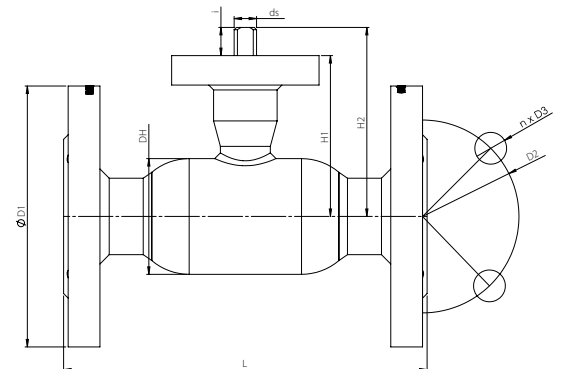
DN	BROEN No.	Bore	Kvs	net Weight kg	All dimensions in mm								
					L	DH	H1	H2	D1	D2	A	n	D3
15	5510340015 010	10	8	1.8	130	38.0	43	104	95	65	140	4	14
20	5510340020 010	15	15	2.4	150	42.4	44	107	105	75	140	4	14
25	5510340025 010	20	27	2.9	160	51.0	44	112	115	85	140	4	14
32	5510340032 010	25	40	4.5	180	57.0	45	116	140	100	140	4	18
40	5510340040 010	32	69	5.8	200	76.1	68	150	150	110	180	4	18
50	5510340050 010	40	110	7.6	230	88.9	68	156	165	125	180	4	18

Suitable for steam.

High temperature valve  
DN 15 - 50, PN 40

**Type 55103**  
**Reduced bore**  
**Flange × Flange**  
**with ISO-flange**

Product Sheet No.:



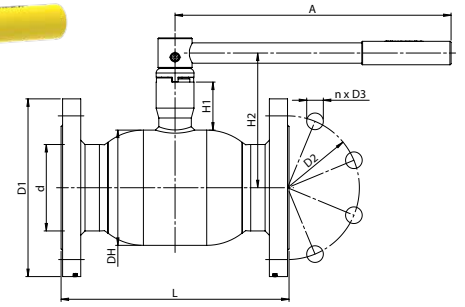
DN	BROEN No.	Bore	Kvs	net Weight kg	All dimensions in mm										
					L	DH	H1	H2	D1	D2	n	D3	ds	i	ISO
15	5510340015 300	10	8	1.9	130	38.0	63	75.5	95	65	4	14	10	12.5	F5
20	5510340020 300	15	15	2.5	150	42.4	67	80.0	105	75	4	14	10	12.5	F5
25	5510340025 300	20	27	3.0	160	51.0	71	83.0	115	85	4	14	10	12.5	F5
32	5510340032 300	25	40	4.6	180	57.0	75	87.5	140	100	4	18	10	12.5	F5
40	5510340040 300	32	69	5.9	200	76.1	106	124.0	150	110	4	18	14	18.0	F7
50	5510340050 300	40	110	7.8	230	88.9	112	130.0	165	125	4	18	14	18.0	F7

Suitable for steam. ISO-flange acc. ISO5211.

High temperature valve  
DN 65 - 200, PN 25

**Type 55103**  
**Reduced bore**  
**Flange × Flange**

Product Sheet No.: 8.1



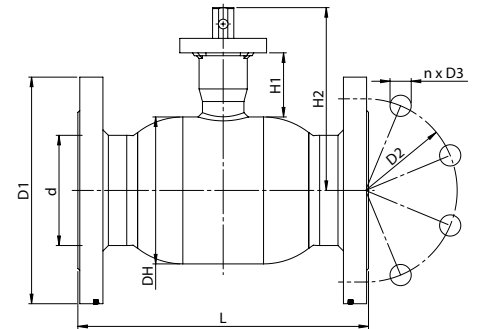
DN	BROEN No.	Bore	Kvs	net Weight kg	All dimensions in mm								
					L	DH	H1	H2	D1	D2	A	n	D3
65	5510325065 010	50	180	10.7	290	108.0	65	135	185	145	275	8	18
80	5510325080 010	65	288	13.4	280	127.0	65	145	200	160	275	8	18
100	5510325100 010	80	417	20.0	300	152.0	81	178	235	190	365	8	22
125	5510325125 010	100	699	27.9	325	177.8	103	217	270	220	365	8	26
150	5510325150 010	125	1046	38.7	350	219.1	103	240	300	250	650	8	26
200	5510325200 010	150	1500	63.0	400	267.0	153	318	360	310	900	12	26

Suitable for steam. We recommend using gear from DN 125.

High temperature valve  
DN 65 - 200, PN 25

**Type 55103**  
**Reduced bore**  
**Flange × Flange**  
**with ISO-flange**

Product Sheet No.:



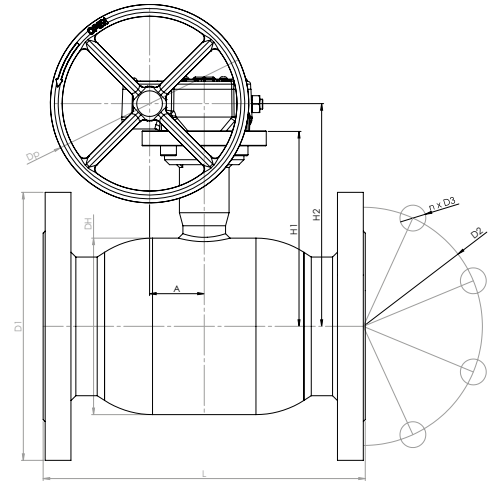
DN	BROEN No.	Bore	Kvs	net Weight kg	All dimensions in mm										
					L	DH	H1	H2	D1	D2	n	D3	ds	i	ISO
65	5510325065 300	50	180	10.7	290	108.0	120	149	185	145	8	18	17	29.5	F7
80	5510325080 300	65	288	13.4	280	127.0	130	159	200	160	8	18	17	29.5	F7
100	5510325100 300	80	417	19.5	300	152.0	158	190	235	160	8	22	22	31.9	F7
125	5510325125 300	100	699	28.4	325	177.8	197	229	270	220	8	26	24	32.0	F10
150	5510325150 300	125	1046	37.5	350	219.1	216	269	300	250	8	26	30	53.3	F10
200	5510325200 300	150	1500	59.2	400	267.0	286	349	360	310	12	26	36	62.8	F14

Suitable for steam. ISO-flange acc. ISO5211. We recommend using gear from DN 125.

High temperature valve  
DN 125 - 200, PN 25

**Type 55103**  
**Reduced bore**  
**Flange × Flange**  
**with BROEN-Gear**

Product Sheet No.:



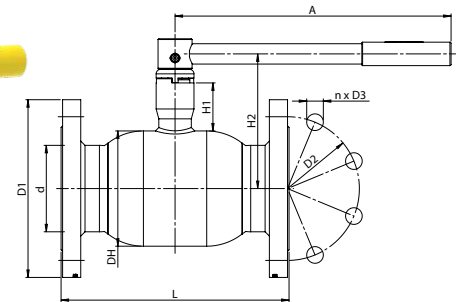
DN	BROEN No.	Bore	Kvs	net Weight kg	All dimensions in mm									
					L	DH	H1	H2	D1	D2	n	D3	p	A
125	5510325125 480	100	699	32.8	325	177.8	197	224	270	220	8	26	200	55
150	5510325150 480	125	1046	45.3	350	219.1	216	250	300	250	8	26	300	69
200	5510325200 480	150	1500	67.0	400	267.0	286	320	360	310	12	26	300	69

Suitable for steam. Valve with gear is tested and prepared for use.

High temperature valve  
DN 65 - 200, PN 16

**Type 55103**  
**Reduced bore**  
**Flange × Flange**

Product Sheet No.: 8.1



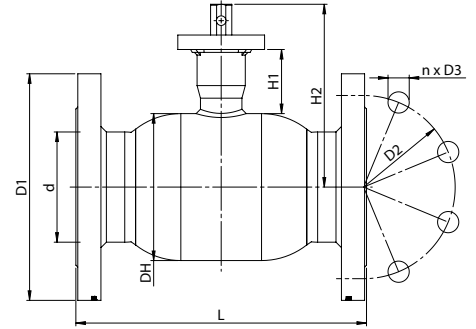
DN	BROEN No.	Bore	Kvs	net Weight kg	All dimensions in mm									
					L	DH	H1	H2	D1	D2	A	n	D3	
65	5510316065 010	50	180	11.0	290	108.0	65	135	185	145	275	4	18	
80	5510316080 010	65	288	12.0	280	127.0	65	145	200	160	275	8	18	
100	5510316100 010	80	417	16.7	300	152.0	81	178	220	180	365	8	18	
125	5510316125 010	100	699	22.4	325	177.8	103	217	250	210	365	8	18	
150	5510316150 010	125	1046	32.4	350	219.1	103	240	285	240	650	8	22	
200	5510316200 010	150	1500	54.9	400	267.0	153	318	340	295	900	8	22	

Suitable for steam. We recommend using gear from DN 125.

High temperature valve  
DN 65 - 200, PN 16

**Type 55103**  
**Reduced bore**  
**Flange x Flange**  
**with ISO-flange**

Product Sheet No.:



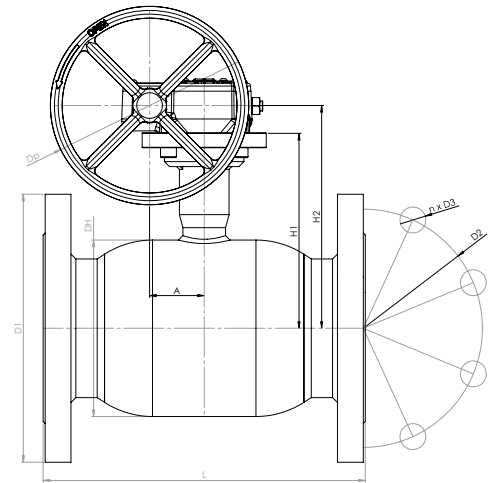
DN	BROEN No.	Bore	Kvs	net Weight kg	All dimensions in mm										
					L	DH	H1	H2	D1	D2	n	D3	ds	i	ISO
65	5510316065 300	50	180	11.0	290	108.0	120	149	185	145	4	18	17	29.5	F7
80	5510316080 300	65	288	12.0	280	127.0	130	159	200	160	8	18	17	29.5	F7
100	5510316100 300	80	417	16.9	300	152.0	158	190	220	180	8	18	22	31.9	F7
125	5510316125 300	100	699	22.8	325	177.8	197	229	250	210	8	18	24	32.0	F10
150	5510316150 300	125	1046	32.6	350	219.1	216	269	285	240	8	22	30	53.3	F10
200	5510316200 300	150	1500	55.1	400	267.0	286	349	340	295	8	22	36	62.8	F14

Suitable for steam. ISO-flange acc. ISO5211. We recommend using gear from DN 125.

High temperature valve  
DN 125 - 200, PN 16

**Type 55103**  
**Reduced bore**  
**Flange x Flange**  
**with BROEN-Gear**

Product Sheet No.:



DN	BROEN No.	Bore	Kvs	net Weight kg	All dimensions in mm									
					L	DH	H1	H2	D1	D2	n	D3	p	A
125	5510316125 480	100	699	27.2	325	177.8	197	224	250	210	8	18	200	55
150	5510316150 480	125	1046	39.0	350	219.1	216	250	285	240	8	22	300	69
200	5510316200 480	150	1500	63.8	400	267.0	286	320	340	295	8	22	300	69

Suitable for steam. Valve with gear is tested and prepared for use.

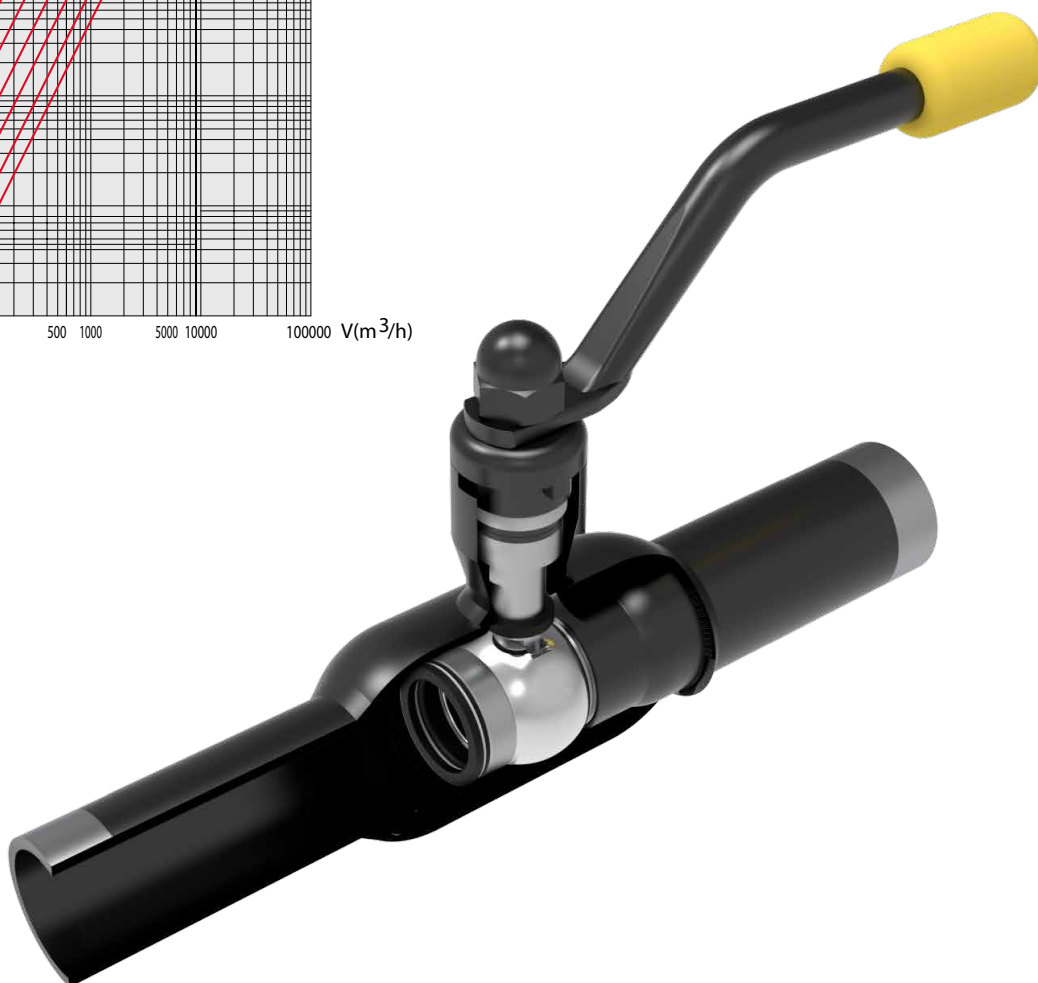
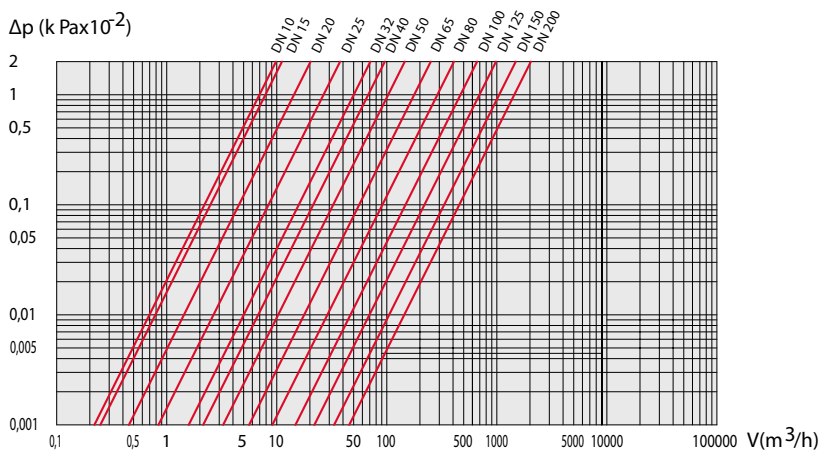
## BROEN BALLOMAX® technical data

Material, valve housing:	P235GH / EN 10217-2
Material, handle: Sizes:	Steel
Sizes:	DN 10 - 200
Seat ring:	PTFE 20% Carbon
Stem gasket:	Graphite
Medium:	Water
Operating pressure:	Max 25 bar
Operating temperature:	-20°C to 150°C
Design temperature:	-20°C to +200°C

### Kvs values

DN	10	15	20	25	32	40	50	65	80	100	125	150	200
Kvs	7	8	15	27	40	69	110	180	288	470	699	1046	1500

### Pressure drop graph



L-handle, DN 15 - 50 FB & DN 15 - 65 RB

Type **BBM90...**  
with red and blue clips

Product Sheet No.: 3.2



DN	BROEN No.	L - mm
15 - 20	9015500002	75
25 - 32	9032500002	100
40 - 65R	9040500001	120

T-handle, DN 15 - 32 FB & DN 15 - 32 RB

Type **BBM90...**  
with red and blue clips

Product Sheet No.: 3.2



DN	BROEN No.	L - mm
15 - 20	9015550022	75
25 - 32	9032550022	75

Gear handle, DN 15 - 50 FB & DN 15 - 65 RB

Type **BBM90...**  
with red and blue clips

Product Sheet No.: 3.2

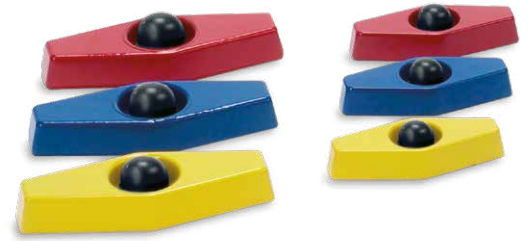


DN	BROEN Nr.	Ø - mm
15 - 20	9015560009	59
25 - 32	9032560009	81
40 - 65R	9040560009	108

### T-handle DN 15 - 50

Type 66050

Product Sheet No.: 4.2 / 3.2



DN - full bore	DN - reduced bore	BROEN No.	Color	L - mm	B - mm
15 - 25	15 - 32	66050010 000	Yellow	85	34
15 - 25	15 - 32	66050010 003	Blue	85	34
15 - 25	15 - 32	66050010 004	Red	85	34
32 - 40	40 - 50	66050040 000	Yellow	120	44
32 - 40	40 - 50	66050040 003	Blue	120	44
32 - 40	40 - 50	66050040 004	Red	120	44

T-handles not suitable for BROEN BALLOMAX® DN 10 - 50 FB & DN 15 - 65 RB valves (Type BBM).

### Handle DN 15 - 150

Type 66060 / 66064 / 66061

Product Sheet No.: 4.2 / 3.2



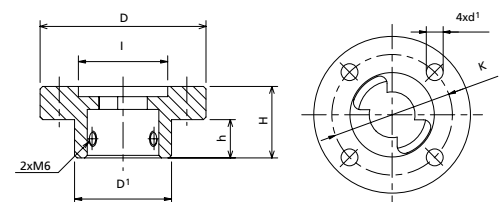
DN - full bore	DN - reduced bore	BROEN No.	L - mm
15 - 25	15 - 32	66060010 000	140
32 - 40	40 - 50	66060040 000	180
50 - 65	65 - 80	66060065 000	275
80	100	66064100 000	365
100	125	66061100 000	365
125	150	66061150 000	650
150	200	66061200 000	900

Handles not suitable for BROEN BALLOMAX® DN 10 - 50 FB & DN 15 - 65 RB valves (Type BBM).

### ISO-flanges, mounting kit DN 15 - 100

Type 203... / 208... / 167... / 169...

Product Sheet No.: 4.2 / 3.2



DN		All dimensions in mm								
Full bore	Reduced bore	BROEN No.	ISO-flange	D	D'	H	h	l	K	d'
15 - 25	15 - 32	203245	F05	65	34	28	15	35	50	7
32 - 40	40 - 50	208245	F05	65	38	28	15	35	50	7
50 - 65	65 - 80	167245	F05	65	47	33	20	35	50	7
80	100	169245	F07	90	57	35	20	55	70	9

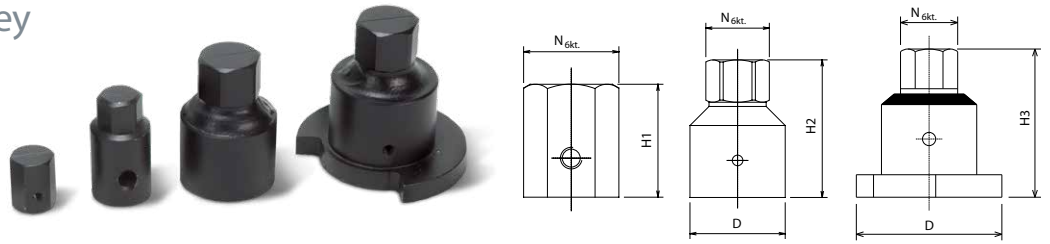
ISO-flanges for smaller size valves, without pre-mounted ISO-flange from factory. Used for later mounting of gears.

Not suitable for BROEN BALLOMAX® DN 10 - 50 FB & DN 15 - 50 RB valves (Type BBM).

## Hexagon for insertion key DN 15 - 150

Type 66160 / 66164 / 66161

Product Sheet No.: 4.2 / 3.2



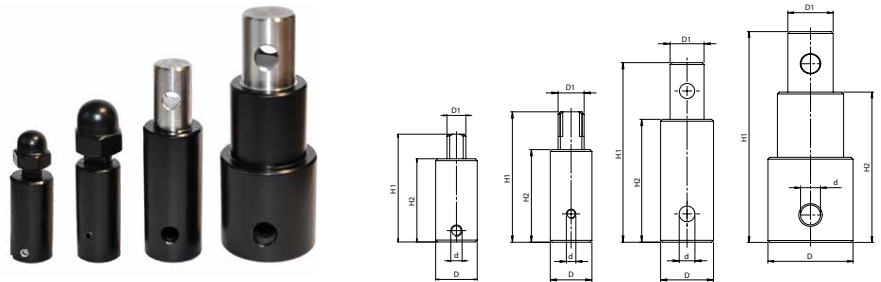
DN		BROEN No.	All dimensions in mm				
Full bore	Reduced bore		D	H1	H2	H3	N hex.
15 - 25	15 - 32	66160010 000	-	26	-	-	19
32 - 40	40 - 50	66160040 000	-	26	-	-	19
50 - 65	65 - 80	66160065 000	28	-	52	-	19
80	100	66164100 000	45	-	65	-	27
100	125	66161100 000	80	-	-	75	27
125	150	66161150 000	112	-	-	85	27

Hexagon insertion key - not suitable for BROEN BALLOMAX® DN 10 - 50 FB & DN 15 - 65 RB valves (Type BBM).

## Spindle extension DN 15 - 125

Type 084... / 251...

Product Sheet No.: 4.2 / 3.2



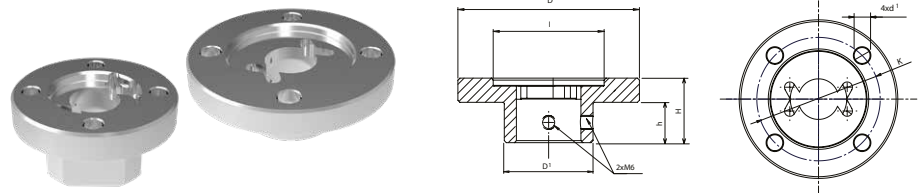
DN		BROEN No.	All dimensions in mm				
Full bore	Reduced bore		D	H1	H2	d	D1
15 - 25	15 - 32	084600	22	57.0	44.0	-	10
32 - 40	40 - 50	084500	22	69.0	49.0	-	14
50 - 65	65 - 80	084800	28	95.0	65.0	8.3	18
80-100	100-125	251300	45	111.5	79.5	10.5	24

Spindle extension for type 64 valves - not suitable for BROEN BALLOMAX® DN 10 - 50 FB & DN 15 - 65 RB valves (Type BBM).

## ISO-flanges, mounting kit DN 50 - 100

Type 954245 / 958245

Product Sheet No.: 4.2 / 3.2



DN		BROEN No.	ISO-flange	All dimensions in mm						
Full bore	Reduced bore			D	D1	H	h	l	K	d1
50 - 65	50 - 65	954245	F05	65	44	32	20	32,2	50	7
80 - 100	80 - 100	958245	F07	90	44	32	20	55	70	9

ISO-flanges for smaller size valves, without pre-mounted ISO-flange from factory. Used for later mounting of gears.

**BROEN BALLOMAX® Repair set**  
DN 15 - 500

**Type 600...**

Product Sheet No.:



DN	BROEN No.	Type
15 - 32	600040	60 - 61 - 64
40 - 50	600041	60 - 61 - 64
65 - 80	600042	60 - 64
65 - 80	600043	61
100	600044	60 - 64
100	600045	61
125	600046	64
150	600048	64
150 - 200	600049	61
250	600050	40
300 - 350	600051	40
400	600052	40
450 - 500	600053	40
250	600568	85
300 - 350	600600	85
400	600601	85
500	600602	85
10 - 20	600940	BBM DN 10 - 50 FB & DN 15 - 65 RB
25 - 32	600941	BBM DN 10 - 50 FB & DN 15 - 65 RB
40 - 50	600942	BBM DN 10 - 50 FB & DN 15 - 65 RB

Repair set include tools and 5 gaskets for repair.

**BROEN can also supply electric actuators for the valves.**  
Please ask BROEN sales department for information about types.

**BROEN can additionally provide 3.1 Certificate for the valves.**

Example for valve with electric actuators:



**BROEN-Gear**  
**DN 50 - 500**

**Type 600...**

Product Sheet No.: 4.2 / 3.2



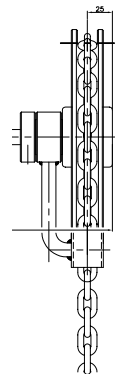
DN		BROEN No.	Bolt x 4	Type	Nm
Full bore	Reduced bore				
50	65 - 80	600582	M6	AB150N	150
65 - 80	100	600583	M8	242-30S	650
100	125	600584	M8	242-20S	300
125	150	600585	M12	242-40S	1200
150	200	600586	M12	242-40S	1200
200	250	600587	M16	242-40M	1200
250	300	600588	M20	AB1250N	3250
-	350	600588	M20	AB1250N	3250
300	400	600589	M20	AB1950N PR4	7000
400	500	600590	M20	AB6800N PR6	17000

BROEN manual gear, mounting and adjustment are customers responsibility.

**Sprocket drives for BROEN gearboxes**  
**DN 65 - 300**

**Type CW...**

Product Sheet No.:



	Chainwheel size	BROEN No.
	Ø135	CW 135
	Ø220	CW 215
	Ø330	CW 335
<b>Accessory:</b>		
<b>Gear chain</b>	1 meter - ZP chain (+ Splitlink)	
<b>Gear chain</b>	1 meter - SS chain (+ Splitlink)	

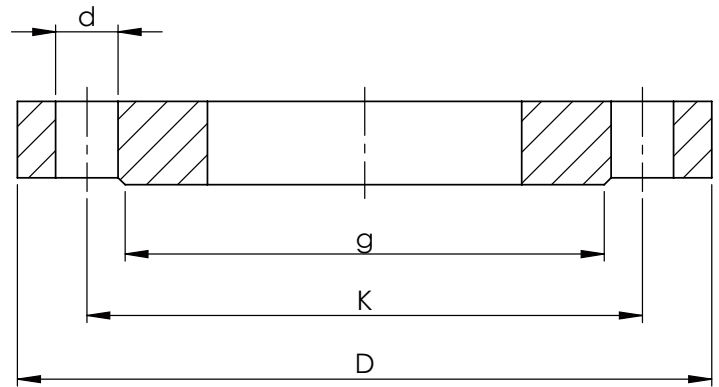
BROEN manual gear, mounting and adjustment are customers responsibility. Possible to operate with chain, for gear mounted high above ground. Galvanized chain, price per meter.

**NOTICE:** The length is the total length, not the height above ground of the gear.

### Flange dimensions

DN 15 - 500, PN 40 | 25 | 16

EN 1092-1



DN		All dimensions in mm														
		PN 16					PN 25					PN 40				
Full bore	Reduced bore	D	K	g	d	Number of bolt holes	D	K	g	d	Number of bolt holes	D	K	g	d	Number of bolt holes
15	15	95	65	45	14	4	95	65	45	14	4	95	65	45	14	4
20	20	105	75	58	14	4	105	75	58	14	4	105	75	58	14	4
25	25	115	85	68	14	4	115	85	68	14	4	115	85	68	14	4
32	32	140	100	78	18	4	140	100	78	18	4	140	100	78	18	4
40	40	150	110	88	18	4	150	110	88	18	4	150	110	88	18	4
50	50	165	125	102	18	4	165	125	102	18	4	165	125	102	18	4
65	65	185	145	122	18	4	185	145	122	18	8	-	-	-	-	-
80	80	200	160	138	18	8	200	160	138	18	8	-	-	-	-	-
100	100	220	180	158	18	8	235	190	162	22	8	-	-	-	-	-
125	125	250	210	188	18	8	270	220	188	26	8	-	-	-	-	-
150	150	285	240	212	22	8	300	250	218	26	8	-	-	-	-	-
200	200	340	295	268	22	12	360	310	278	26	12	-	-	-	-	-
250	250	405	355	320	26	12	425	370	335	30	12	-	-	-	-	-
300	300	460	410	378	26	12	485	430	395	30	16	-	-	-	-	-
350	350	520	470	438	26	16	555	490	450	33	16	-	-	-	-	-
400	400	580	525	490	30	16	620	550	505	36	16	-	-	-	-	-
-	500	715	650	610	33	20	730	660	615	36	22	-	-	-	-	-

## BROEN BALLOMAX® monoblock and short valves

BROEN BALLOMAX® monoblock and short valves offers a safe and modern construction for district heating networks, air conditioning and industrial installations with water, air, steam, gas and oil.

The monoblock and short valves are suitable for tight spaces fitting narrow build-in requirements when re-configuring or renovating pipelines. The valve is tested and subjected to a 100% quality control before leaving the factory and it therefore requires minimal service for the rest of its life.

Both the ball and the spindle are made from stainless steel.

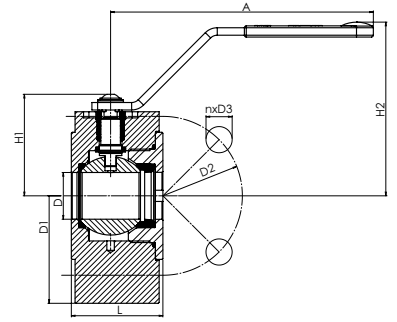


- All CE-marked valves are approved according to PED 2014/68/EU - module H
- Highest Class A tightness - EN 12266
- Double sealing : O-ring (EPDM), VITON,
- Temperature compensation (linear)
- Double bearing spindle system, diameter  $\geq$  DN65
- Operating temperature from  $-20^{\circ}\text{C}$  to  $+200^{\circ}\text{C}$

Monoblock valve  
DN 15 - 32, PN 40 | 25 | 16

Type 94103  
Full bore  
Monoblock single  
Wafer type

Product Sheet No.: 9.2

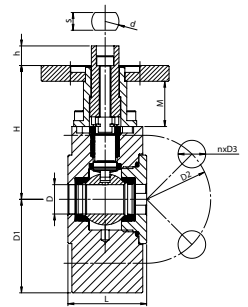


DN	BROEN No.	D = Bore	Kvs	net Weight kg	All dimensions in mm							
					L	D1	D2	A	H1	H2	D3	n
15	9410340015WZ	15	32	1.8	40	95	65	140	46	85	14	4
20	9410340020WZ	20	57	2.8	46	105	75	140	50	88	14	4
25	9410340025WZ	25	81	3.2	49	115	85	140	54	93	14	4
32	9410340032WZ	32	133	5.5	62	140	100	167	71	109	18	4

Monoblock valve  
DN 15 - 32, PN 40 | 25 | 16

Type 94103  
Full bore  
Monoblock single  
Wafer type  
with ISO-flange

Product Sheet No.: 9.2



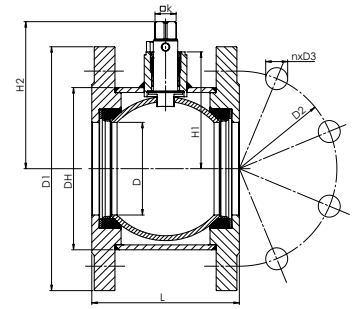
DN	BROEN No.	D = Bore	Kvs	net Weight kg	All dimensions in mm									
					L	D1	D2	d/s	h	H	M	D3	n	ISO
15	9410340015WZ 90	15	32	1.9	40	95	65	14/10	10	68	23	14	4	F5
20	9410340020WZ 90	20	57	2.6	46	105	75	14/10	10	71	23	14	4	F5
25	9410340025WZ 90	25	81	3.3	49	115	85	14/10	10	76	23	14	4	F5
32	9410340032WZ 90	32	133	5.9	62	140	100	16/11	10	91	23	18	4	F5

ISO-flange acc. ISO5211.

Monoblock valve  
DN 40 - 80, PN 16

**Type 94103**  
**Full bore**  
**Flange × Flange**

Product Sheet No.: 9.2

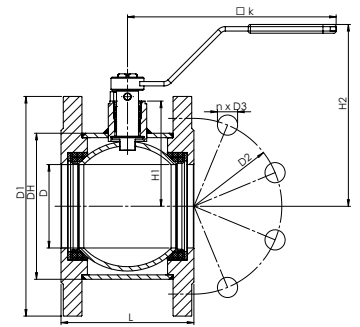


DN	BROEN No.	D = Bore	Kvs	net Weight kg	All dimensions in mm								
					L	DH	D1	D2	□ k	H1	H2	D3	n
40	9410316040WZ	39	229	4.3	77	76	150	110	11	70	87	18	4
50	9410316050WZ	49	295	5.6	86	89	165	125	11	77	94	18	4
65	9410316065WZ	63	498	7.6	106	114	185	145	14	88	113	18	8
80	9410316080WZ	76	754	9.2	121	133	200	160	14	96	121	18	8

Monoblock valve  
DN 40 - 80, PN 16

**Type 94103**  
**Full bore**  
**Flange × Flange**

Product Sheet No.: 9.2

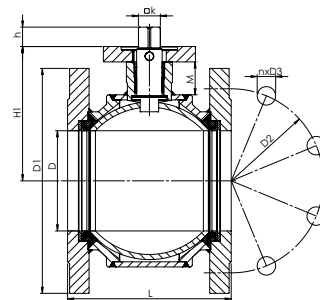


DN	BROEN No.	D = Bore	Kvs	net Weight kg	All dimensions in mm								
					L	DH	D1	D2	□ k	H1	H2	D3	n
40	9410316040WZ 01	39	229	4.5	77	76	150	110	177	70	127	18	4
50	9410316050WZ 01	49	295	5.7	86	89	165	125	177	77	134	18	4
65	9410316065WZ 01	63	498	8.0	106	114	185	145	190	88	158	18	8
80	9410316080WZ 01	76	754	9.6	121	133	200	160	190	96	166	18	8

Monoblock valve  
DN 40 - 80, PN 16

**Type 94103**  
**Full bore**  
**Flange × Flange**  
**with ISO-flange**

Product Sheet No.: 9.2

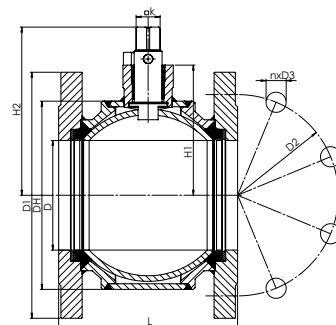


DN	BROEN No.	D = Bore	Kvs	net Weight kg	All dimensions in mm									
					L	D1	D2	□ k	h	H	M	D3	n	ISO
40	9410316040WZ 90	39	229	4.6	77	150	110	11	11.5	100	52	18	4	F5
50	9410316050WZ 90	49	295	5.9	86	165	125	11	11.5	108	53	18	4	F5
65	9410316065WZ 90	63	498	7.9	106	185	145	14	15.5	118	50	18	8	F5
80	9410316080WZ 90	76	754	9.5	121	200	160	14	15.5	125	49	18	8	F5

Monoblock valve  
DN 100 - 200, PN 16

**Type 94103**  
**Full bore**  
**Flange × Flange**

Product Sheet No.: 9.2



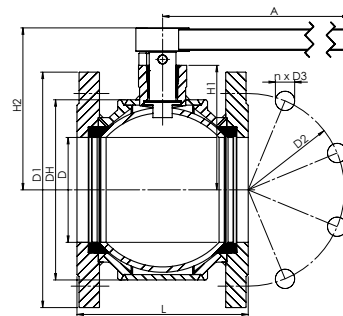
DN	BROEN No.	D = Bore	Kvs	net Weight kg	All dimensions in mm								
					L	DH	D1	D2	□ k	H1	H2	D3	n
100	9410316100WZ	98	1159	14.6	160	168.0	220	180	17	117.0	151.0	18	8
125	9410316125WZ	125	1841	22.6	186	219.0	250	210	17	147.0	183.0	18	8
150	9410316150WZ	150	2652	35.2	236	267.0	285	240	22	167.5	203.5	22	8
200	9410316200WZ	200	5720	61.3	292	323.9	340	295	22	200.0	237.0	22	12

From DN 125, we recommend the use of gearboxes or actuators to enable controlled opening and closing of the valve and to prevent pressure surges in the system.

Monoblock valve  
DN 100 - 200, PN 16

Type 94103  
Full bore  
Flange × Flange

Product Sheet No.: 9.2



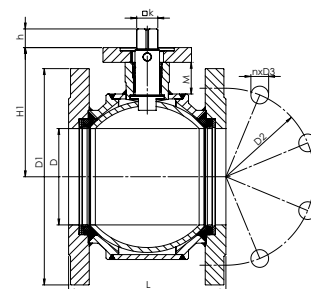
DN	BROEN No.	D = Bore	Kvs	net Weight kg	All dimensions in mm									
					L	DH	D1	D2	A	H1	H2	D3	n	
100	9410316100WZ 01	98	1159	16.0	160	168.0	220	180	500	117	151	18	8	
125	9410316125WZ 01	125	1841	24.1	186	219.0	250	210	500	147	183	18	8	
150	9410316150WZ 01	150	2652	37.2	236	267.0	285	240	600	168	204	22	8	
200	9410316200WZ 01	200	5720	62.4	292	323.9	340	295	600	200	237	22	12	

From DN 125, we recommend the use of gearboxes or actuators to enable controlled opening and closing of the valve and to prevent pressure surges in the system.

Monoblock valve  
DN 100 - 200, PN 16

Type 94103  
Full bore  
Flange × Flange  
with ISO-flange

Product Sheet No.: 9.2



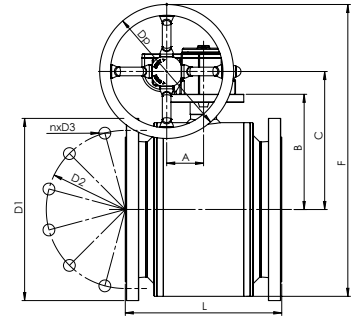
DN	BROEN No.	D = Bore	Kvs	net Weight kg	All dimensions in mm									
					L	D1	D2	□ k	h	H	M	D3	n	ISO
100	9410316100WZ 90	98	1159	15.0	160	220	180	17	22	128	34	18	8	F7
125	9410316125WZ 90	125	1841	24.4	186	270	220	17	20	163	39	18	8	F12
150	9410316150WZ 90	150	2652	36.9	236	285	240	22	21	203	35	22	8	F12
200	9410316200WZ 90	195	5720	93.5	292	340	295	22	21	237	40	22	12	F12

ISO-flange acc. ISO5211. From DN 125, we recommend the use of gearboxes or actuators to enable controlled opening and closing of the valve and to prevent pressure surges in the system.

Monoblock valve  
DN 100 - 200, PN 16

**Type 94103**  
**Full bore**  
**Flange × Flange**  
**with BROEN-Gear**

Product Sheet No.: 9.2



DN	BROEN No.	Bore	Kvs	net Weight kg	All dimensions in mm								D3	n	ISO
					L	D1	D2	DP	A	B	C	F			
100	9410316100WZ 48	98	1159	19.8	160	220	180	160	53	132	165	329	18	8	F7
125	9410316125WZ 48	125	1841	33.0	186	270	220	250	69	162	205	439	18	8	F12
150	9410316150WZ 48	150	2652	45.5	236	285	240	250	69	182	225	484	22	8	F12
200	9410316200WZ 48	195	5720	102.1	292	340	295	250	69	215	258	545	22	12	F12

Valve with gear is tested and prepared for use.

## BROEN BALLOMAX® Fully welded trunnion mounted steel ball valves

Our fully welded BROEN BALLOMAX® trunnion mounted ball valves can be delivered for operation above ground level with a range of features and advantages:

- Our Double Block and Bleed (DBB) system is certified by Bureau Veritas
- Lubrication system (standard from DN 350 upwards)
- 3.1 traceability certificate for material is available on request
- The valve can be delivered either as full bore or reduced bore
- Delivery with or without base plate

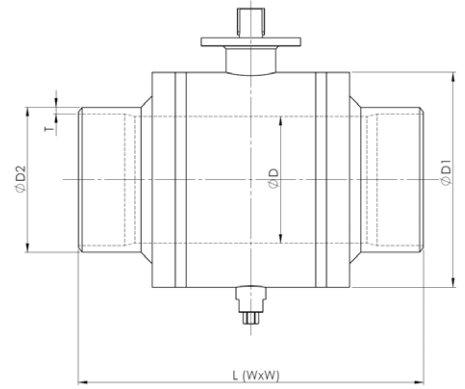


### Technical features:

- Compliance with PED 2014/68/EU - Module H
- Functional and pressure test according to EN 12266-1 and -2
- Flange dimensions acc. to EN 1092-1
- Butt-weld ends according to EN 12627
- Actuator mounting flange ISO 5211
- Electro less nickel Plating ISO 4527
- Optional stainless steel ball
- For underground installations

Trunnion mounted steel ball valve  
DN 150 - 600, PN 40 | 25 | 16

Type  
**Full bore**  
Welding × Welding  
with ISO-flange

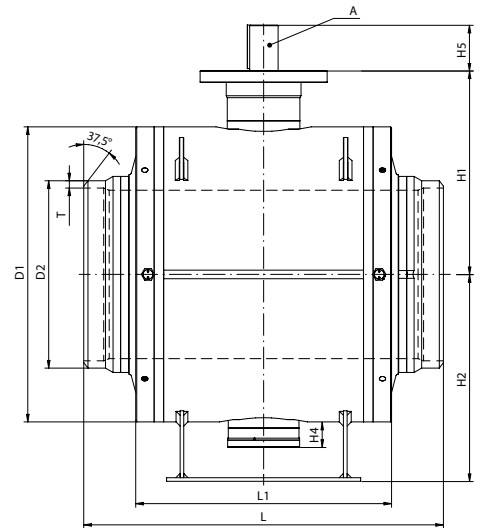


All dimensions in mm													
DN	BROEN No.	Bore	Kvs	L	D1	D2	t	H1	H2	H3	A	ISO	net Weight kg
150	3/A150WW5D30	142	4498	457	254	168.3	7.1	185	183	45	35	F12	67
200	3/A200WW5D30	190	9234	521	324	219.1	8.8	214	218	45	35	F12	120
250	3/A250WW5D30	237	14428	559	394	273	10	258	255	61	50	F14	193
300	3/A300WW5D30	285	20777	635	470	323.9	10	307	294	61	60	F14	300
350	3/A350WW5D30	332	28280	762	546	355.6	11	351	528	57	60	F16	467
400	3/A400WW5D30	375	36937	838	622	406.4	12.5	427	575	105	72	F25	724
500	3/A500WW5D30	475	57716	991	785	508	12.5	504	793	105	72	F30	1329
600	3/A600WW5D30	588	101788	1143	943	610	12.5	579	885	105	80	F30	2119

We recommend to add a BROEN gear.

Trunnion mounted steel ball valve  
DN 700 - 1000, PN 40 | 25 | 16

Type  
**Full bore**  
Welding × Welding  
with ISO-flange

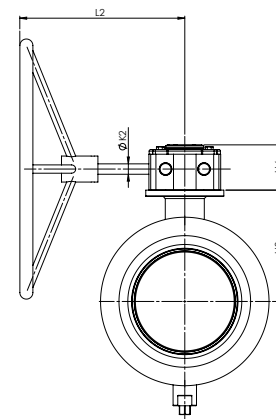
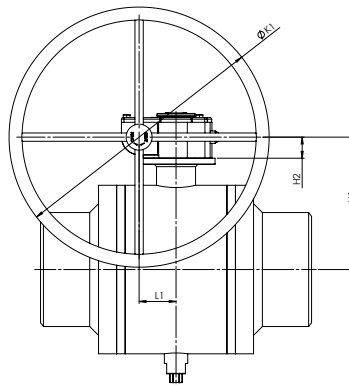


All dimensions in mm															
DN	BROEN No.	Bore	Kvs	L	L1	D1	D2	T	H1	H2	H4	H5	A	ISO	net Weight kg
700	3/A700WW5D30	684	138544	1346	976	1126	711.0	14.2	806	790	109	200	120	F35	4126
800	3/A800WW5D30	780	180956	1524	1124	1300	813.0	16.0	890	900	107	198	120	F35	6145
900	3/A900WW5D30	874	229023	1727	1214	1450	914.0	20.0	941	1000	117	183	140	F40	8230
1000	3/A910WW5D30	976	282744	1850	1346	1650	1016.0	22.0	1121	1220	142	240	190	F48	12365

We recommend to add a BROEN gear.

Trunnion mounted steel ball valve  
DN 150 - 600, PN 40 | 25 | 16

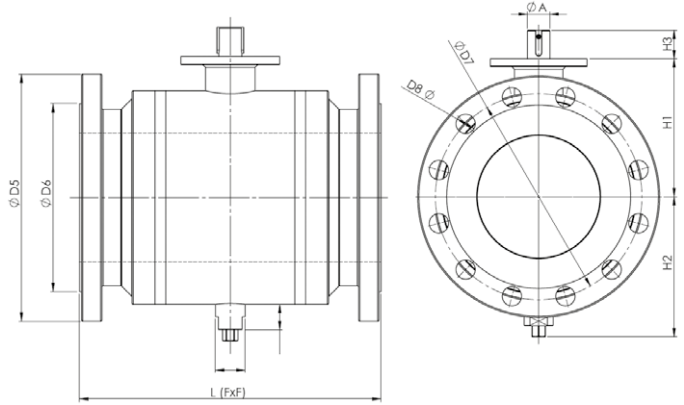
Type  
**Full bore**  
Welding x Welding  
with BROEN-Gear



All dimensions in mm												
DN	BROEN No.	Kvs	L1	L2	H1	H2	H3	H4	øK1	øK2	ISO	net Weight kg
150	3/A150WW5D50	4498	71	247	226	41	185	88	200	20	F12	77
200	3/A200WW5D50	9234	71	282	255	41	214	88	300	20	F12	130
250	3/A250WW5D50	14428	86	305	300	42	258	93	500	20	F14	209
300	3/A300WW5D50	20777	86	305	349	42	307	93	700	20	F14	316
350	3/A350WW5D50	28280	53	348	407	56	351	120	600	20	F16	491
400	3/A400WW5D50	36937	130	397	482	55	427	126	400	20	F25	763
500	3/A500WW5D50	57716	140	430	568	64	504	155	600	20	F30	1385
600	3/A600WW5D50	101788	182	470	638	59	579	159	500	20	F30	2183
700	3/A700WW5D50	138544	209	491	891	85	806	215	700	20	F35	4263
800	3/A800WW5D50	180956	256	531	975	85	890	224	700	20	F35	6366

Trunnion mounted steel ball valve  
DN 150 - 600, PN 40

Type  
**Full bore**  
Flange × Flange  
with ISO-flange

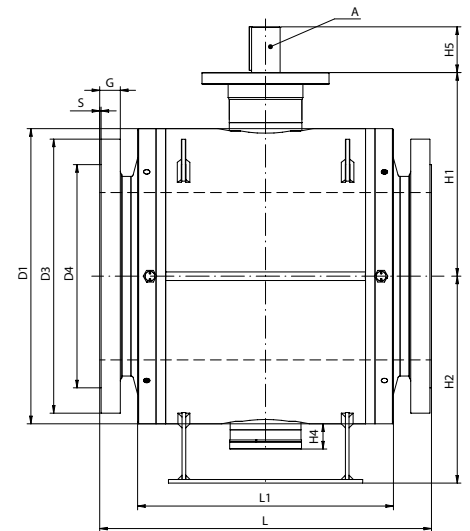


All dimensions in mm													
DN	BROEN No.	Bore	Kvs	L	D5	D7	D8	H1	H2	H3	A	ISO	net Weight kg
150	3/A150KK5D30	142	4498	350	300	250	26	185	183	45	35	F12	84
200	3/A200KK5D30	190	9234	457	375	320	30	214	218	45	35	F12	167
250	3/A250KK5D30	237	14428	533	450	385	33	258	255	61	50	F14	277
300	3/A300KK5D30	285	20777	610	515	450	33	307	294	61	60	F14	426
350	3/A350KK5D30	332	28280	686	580	510	36	351	528	57	60	F16	585
400	3/A400KK5D30	375	36937	762	580	585	39	427	575	105	72	F25	918
500	3/A500KK5D30	475	57716	914	580	670	42	504	793	105	72	F30	1625
600	3/A600KK5D30	588	101788	1067	580	795	48	579	885	105	80	F30	2519

We recommend to add a BROEN gear.

Trunnion mounted steel ball valve  
DN 700 - 1000, PN 40

Type  
**Full bore**  
Flange × Flange  
with ISO-flange

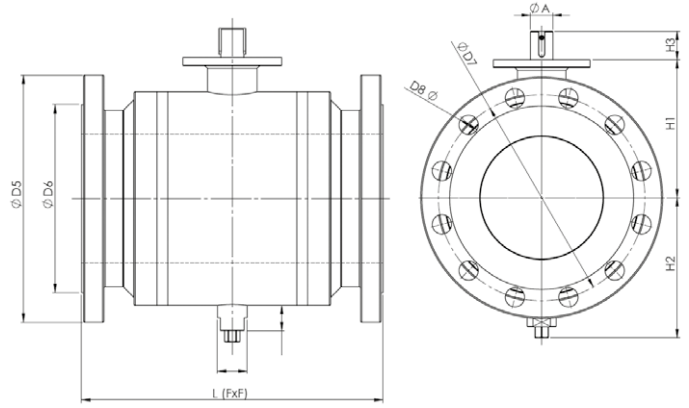


All dimensions in mm																	
DN	BROEN No.	Bore	Kvs	L	L1	D1	D3	D4	G	S	H1	H2	H4	H5	A	ISO	net Weight kg
700	3/A700KK5D30	684	138544	1245	936	1126	995	840	86	5	806	790	109	200	120	F35	4427
800	3/A800KK5D30	780	180956	1372	1054	1300	1140	960	90	5	890	900	107	198	120	F35	6295
900	3/A900KK5D30	874	229023	1524	1214	1450	1250	1070	95	5	941	1000	117	183	140	F40	9230
1000	3/A910KK5D30	976	282744	2050	1346	1650	1360	1180	100	5	1121	1220	142	240	190	F48	13725

We recommend to add a BROEN gear.

Trunnion mounted steel ball valve  
DN 150 - 600, PN 25

Type  
**Full bore**  
Flange x Flange  
with ISO-flange

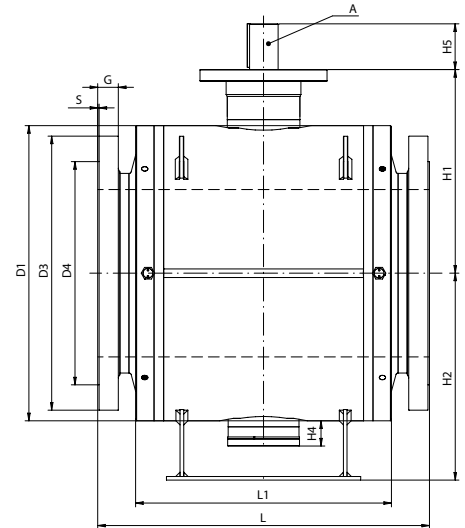


All dimensions in mm													
DN	BROEN No.	Bore	Kvs	L	D5	D7	D8	H1	H2	H3	A	ISO	net Weight kg
150	3/A150KK4D30	142	4498	350	300	250	26	185	183	45	35	F12	84
200	3/A200KK4D30	190	9234	457	360	310	26	214	218	45	35	F12	161
250	3/A250KK4D30	237	14428	533	425	370	30	258	255	61	50	F14	265
300	3/A300KK4D30	285	20777	610	485	430	30	307	294	61	60	F14	410
350	3/A350KK4D30	332	28280	686	555	490	33	351	528	57	60	F16	567
400	3/A400KK4D30	375	36937	762	620	550	36	427	575	105	72	F25	874
500	3/A500KK4D30	475	57716	914	730	660	36	504	793	105	72	F30	1611
600	3/A600KK4D30	588	101788	1067	845	770	39	579	885	105	80	F30	2537

We recommend to add a BROEN gear.

Trunnion mounted steel ball valve  
DN 700 - 1000, PN 25

Type  
**Full bore**  
Flange x Flange  
with ISO-flange

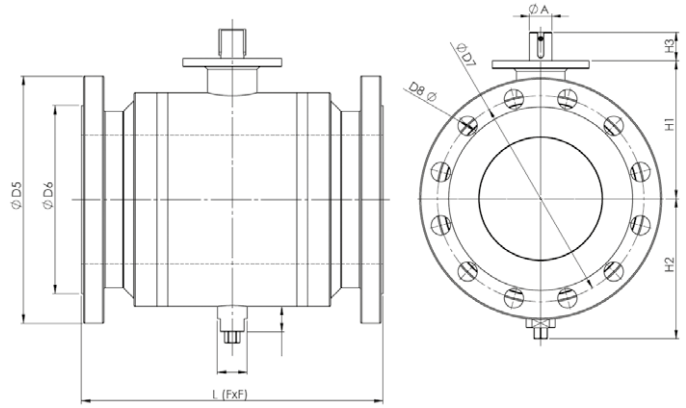


All dimensions in mm																	
DN	BROEN No.	Bore	Kvs	L	L1	D1	D3	D4	G	S	H1	H2	H4	H5	A	ISO	net Weight kg
700	3/A700KK4D30	684	138544	1245	976	1126	960	820	50	5	806	790	109	200	120	F35	4318
800	3/A800KK4D30	780	180956	1372	1138	1300	1085	930	53	5	890	900	107	198	120	F35	6460
900	3/A900KK4D30	874	229023	1524	1214	1450	1185	1030	53	5	941	1000	117	183	140	F40	8728
1000	3/A910KK4D30	976	282744	2050	1346	1650	1320	1140	63	5	1121	1220	142	240	190	F48	13041

We recommend to add a BROEN gear.

Trunnion mounted steel ball valve  
DN 150 - 600, PN 16

Type  
**Full bore**  
Flange x Flange  
with ISO-flange

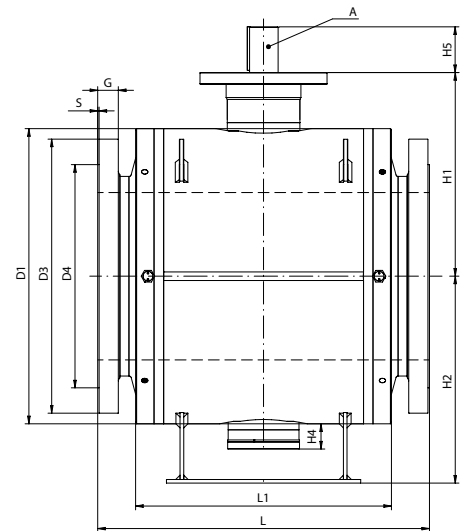


All dimensions in mm													
DN	BROEN No.	Bore	Kvs	L	D5	D7	D8	H1	H2	H3	A	ISO	net Weight kg
150	3/A150KK3D30	142	4498	350	285	240	22	185	183	45	35	F12	79
200	3/A200KK3D30	190	9234	457	340	295	22	214	218	45	35	F12	155
250	3/A250KK3D30	237	14428	533	405	355	26	258	255	61	50	F14	260
300	3/A300KK3D30	285	20777	610	460	410	26	307	294	61	60	F14	395
350	3/A350KK3D30	332	28280	686	520	470	26	351	528	57	60	F16	563
400	3/A400KK3D30	375	36937	762	580	525	30	427	575	105	72	F25	866
500	3/A500KK3D30	475	57716	914	715	650	33	504	793	105	72	F30	1607
600	3/A600KK3D30	588	101788	1067	840	770	36	579	885	105	80	F30	2519

We recommend to add a BROEN gear.

Trunnion mounted steel ball valve  
DN 700 - 1000, PN 16

Type  
**Full bore**  
Flange x Flange  
with ISO-flange

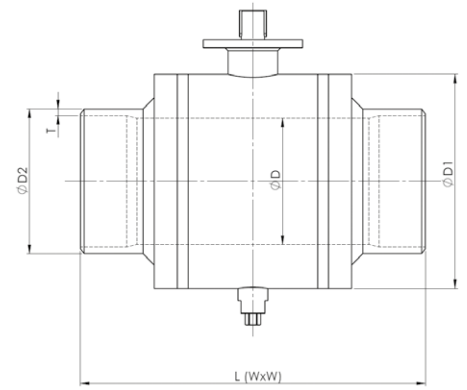


All dimensions in mm																	
DN	BROEN No.	Bore	Kvs	L	L1	D1	D3	D4	G	S	H1	H2	H4	H5	A	ISO	net Weight kg
700	3/A700KK4D30	684	138544	1245	976	1126	910	795	40	5	806	790	109	200	120	F35	4427
800	3/A800KK4D30	780	180956	1372	1184	1300	1025	900	41	5	890	900	107	198	120	F35	6295
900	3/A900KK4D30	874	229023	1524	1214	1450	1125	1000	48	5	941	1000	117	183	140	F40	9230
1000	3/A910KK4D30	976	282744	2050	1346	1650	1255	1115	59	5	1121	1220	142	240	190	F48	13725

We recommend to add a BROEN gear.

Trunnion mounted steel ball valve  
DN 200 - 700, PN 40 | 25 | 16

Type  
**Reduced bore**  
**Welding x Welding**  
**with ISO-flange**

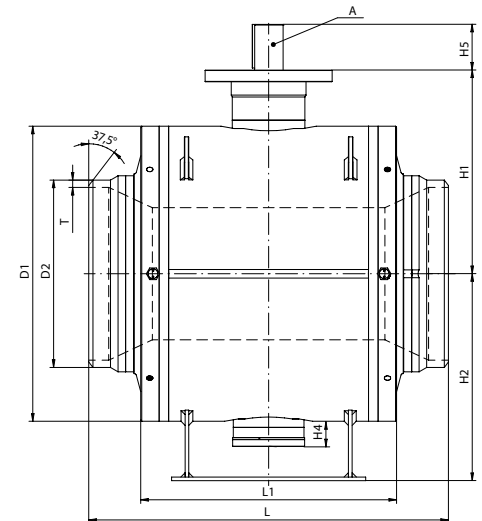


All dimensions in mm													
DN	BROEN No.	Bore	Kvs	L	D1	D2	t	H1	H2	H3	A	ISO	net Weight kg
200	3/D200WW5D30	142	1800	521	254	219.1	8.8	185	183	45	35	F12	76
250	3/D250WW5D30	190	3410	559	324	273.0	10.0	214	218	45	35	F12	135
300	3/D300WW5D30	237	5101	635	394	323.9	10.0	258	255	61	50	F14	213
350	3/D350WW5D30	285	7853	762	470	355.6	11.0	307	294	61	60	F14	330
400	3/D400WW5D30	332	9257	838	546	406.4	12.5	351	528	57	60	F16	518
500	3/D500WW5D30	375	12091	991	622	508.0	12.5	427	575	105	72	F25	762
600	3/D600WW5D30	475	19239	1143	785	610.0	12.5	504	793	105	72	F30	1382
700	3/D700WW5D30	588	27704	1345	943	711.0	14.2	579	885	105	80	F30	2201

We recommend to add a BROEN gear.

Trunnion mounted steel ball valve  
DN 800 - 1000, PN 40 | 25 | 16

Type  
**Reduced bore**  
**Welding x Welding**

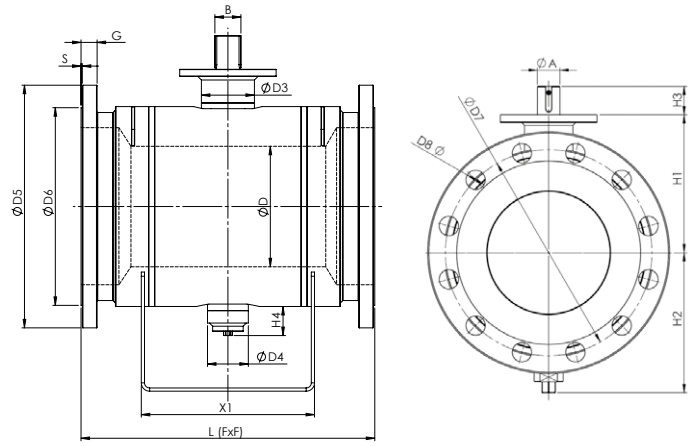


All dimensions in mm															
DN	BROEN No.	Bore	Kvs	L	L1	D1	D2	T	H1	H2	H4	H5	A	ISO	net Weight kg
800	3/D800WW5D30	684	43812	1524	976	1126	813	16,0	806	790	109	200	120	F35	4900
900	3/D900WW5D30	780	57223	1727	1124	1300	914	20,0	890	900	107	198	120	F35	6731
1000	3/D910WW5D30	874	72423	1850	1214	1450	1016	22,0	941	1000	117	183	140	F40	9052

We recommend to add a BROEN gear.

Trunnion mounted steel ball valve  
DN 200 - 700, PN 40

Type  
**Reduced bore**  
Flange × Flange  
with ISO-flange

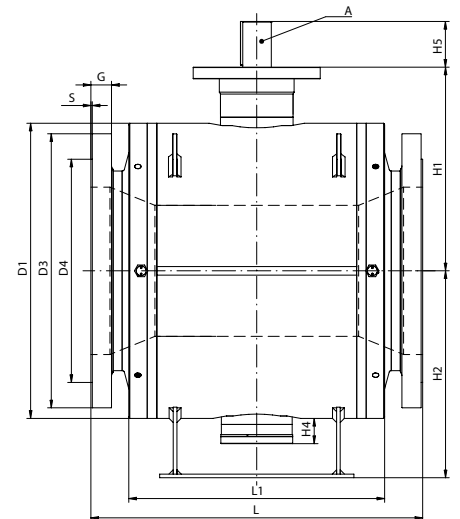


All dimensions in mm													
DN	BROEN No.	Bore	Kvs	L	D1	D2	t	H1	H2	H3	A	ISO	net Weight kg
200	3/D200KK5D30	142	1800	457	375	320	30	185	183	45	35	F12	127
250	3/D250KK5D30	190	3410	533	450	385	33	214	218	45	35	F12	216
300	3/D300KK5D30	237	5101	610	515	450	33	258	255	61	50	F14	345
350	3/D350KK5D30	285	7853	686	580	510	36	307	294	61	60	F14	526
400	3/D400KK5D30	332	9257	762	660	585	39	351	528	57	60	F16	764
500	3/D500KK5D30	375	12091	914	755	670	42	427	575	105	72	F25	1202
600	3/D600KK5D30	475	19239	1067	890	795	48	504	793	105	72	F30	2102
700	3/D700KK5D30	588	27704	1245	995	900	48	579	885	105	80	F30	3293

We recommend to add a BROEN gear.

Trunnion mounted steel ball valve  
DN 800 - 1000, PN 40

Type  
**Reduced bore**  
Flange × Flange  
with ISO-flange

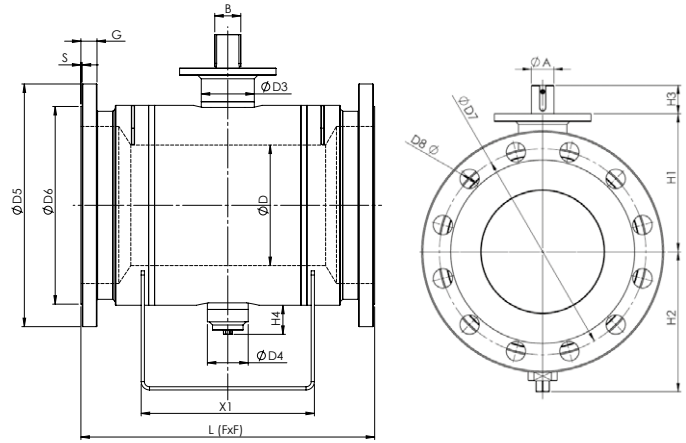


All dimensions in mm																	
DN	BROEN No.	Bore	Kvs	L	L1	D1	D3	D4	G	S	H1	H2	H4	H5	A	ISO	net Weight kg
800	3/D800KK5D30	684	43812	1372	936	1126	1140	960	90	5	806	200	109	198	120	F35	5044
900	3/D900KK5D30	780	57223	1524	1054	1300	1250	1070	95	5	890	198	107	183	120	F35	6924
1000	3/D910KK5D30	874	72423	2050	1214	1450	1360	1180	100	5	941	183	117	240	140	F40	10584

We recommend to add a BROEN gear.

Trunnion mounted steel ball valve  
DN 200 - 700, PN 25

Type  
**Reduced bore**  
Flange × Flange  
with ISO-flange

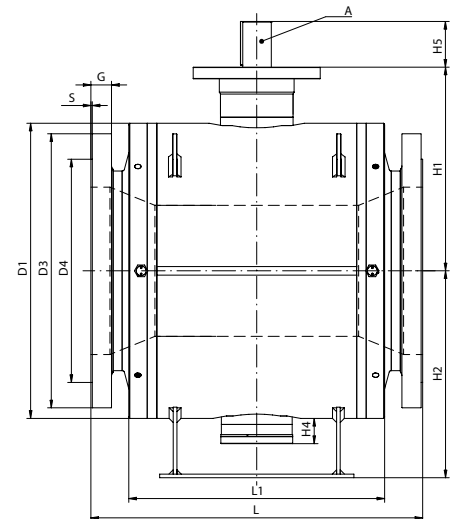


All dimensions in mm													
DN	BROEN No.	Bore	Kvs	L	D1	D2	t	H1	H2	H3	A	ISO	net Weight kg
200	3/D200KK4D30	142	1800	457	360	310	26	185	183	45	35	F12	120
250	3/D250KK4D30	190	3410	533	425	370	30	214	218	45	35	F12	203
300	3/D300KK4D30	237	5101	610	485	430	30	258	255	61	50	F14	322
350	3/D350KK4D30	285	7853	686	555	490	33	307	294	61	60	F14	502
400	3/D400KK4D30	332	9257	762	620	550	36	351	528	57	60	F16	708
500	3/D500KK4D30	375	12091	914	730	660	36	427	575	105	72	F25	1174
600	3/D600KK4D30	475	19239	1067	845	770	39	504	793	105	72	F30	2022
700	3/D700KK4D30	588	27704	1245	960	875	42	579	885	105	80	F30	3207

We recommend to add a BROEN gear.

Trunnion mounted steel ball valve  
DN 800 - 1000, PN 25

Type  
**Reduced bore**  
Flange × Flange  
with ISO-flange

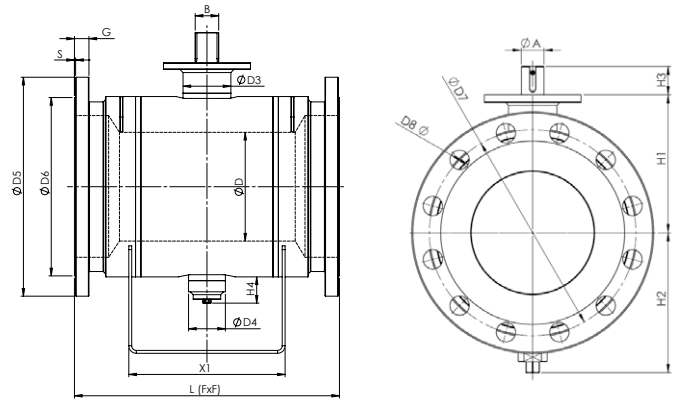


All dimensions in mm																	
DN	BROEN No.	Bore	Kvs	L	L1	D1	D3	D4	G	S	H1	H2	H4	H5	A	ISO	net Weight kg
800	3/D800KK4D30	684	43812	1372	976	1126	1085	930	53	5	806	200	109	198	120	F35	4757
900	3/D900KK4D30	780	57223	1524	1138	1300	1185	1030	53	5	890	198	107	183	120	F35	7232
1000	3/D910KK4D30	874	72423	2050	1214	1450	1320	1140	63	5	941	183	117	240	140	F40	10012

We recommend to add a BROEN gear.

Trunnion mounted steel ball valve  
DN 200 - 700, PN 16

Type  
**Reduced bore**  
Flange × Flange  
with ISO-flange

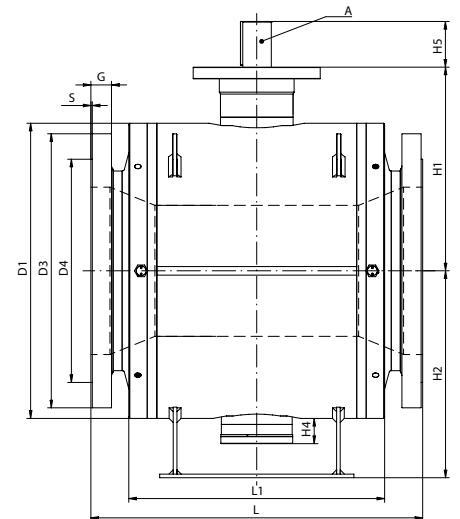


All dimensions in mm													
DN	BROEN No.	Bore	Kvs	L	D1	D2	t	H1	H2	H3	A	ISO	net Weight kg
200	3/D200KK3D30	142	1800	457	340	295	22	185	183	45	35	F12	112
250	3/D250KK3D30	190	3410	533	405	355	26	214	218	45	35	F12	194
300	3/D300KK3D30	237	5101	610	460	410	26	258	255	61	50	F14	309
350	3/D350KK3D30	285	7853	686	520	470	26	307	294	61	60	F14	483
400	3/D400KK3D30	332	9257	762	580	525	30	351	528	57	60	F16	688
500	3/D500KK3D30	375	12091	914	715	650	33	427	575	105	72	F25	1148
600	3/D600KK3D30	475	19239	1067	840	770	36	504	793	105	72	F30	2016
700	3/D700KK3D30	588	27704	1245	910	840	36	579	885	105	80	F30	3167

We recommend to add a BROEN gear.

Trunnion mounted steel ball valve  
DN 800 - 1000, PN 16

Type  
**Reduced bore**  
Flange × Flange  
with ISO-flange



All dimensions in mm																	
DN	BROEN No.	Bore	Kvs	L	L1	D1	D3	D4	G	S	H1	H2	H4	H5	A	ISO	net Weight kg
800	3/D800KK3D30	684	43812	1372	936	1126	1025	900	41	5	806	200	109	198	120	F35	4652
900	3/D900KK3D30	780	57223	1524	1054	1300	1125	1000	48	5	890	198	107	183	120	F35	6212
1000	3/D910KK3D30	874	72423	2050	1214	1450	1255	1115	59	5	941	183	117	240	140	F40	9822

We recommend to add a BROEN gear.

The synergy of configuring the right gear to the task and making a ball valve operate seamlessly for years is a specialist task and with our experience and know-how, our in-house experts strive to deliver ready solutions, that will operate with a minimum of downtime.

We know, that the ready solutions that operate with a minimum of time is a core function for customers' applications.





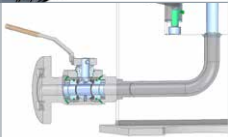
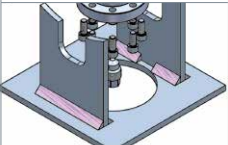
We counsel and advise our customers all the way to ensure, that valve, gears and cabling are optimized to each other and we deliver regulated and commissioned valves to validate the operation of the valves.

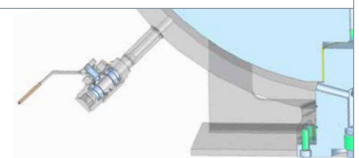
BROEN is able to deliver valves with electric or hydraulic actuators, as well as manual gears from any proven supplier.

In case you have a special requests we can deliver the solution.

For further information please get in contact with the BROEN BALLOMAX® sales department.



Accessories	Dimension	Description
	DN 150 - 1000	Columns.
	DN 150 - 1000	BROEN-Gear.
	DN 150 - 1000	BROEN-Gear, Electric gear.
	DN 150 - 1000	Lubrication fitting NPT.
	DN 150 - 1000	Drain ball valve and pipe for Double Block and Bleed (DBB) with the following valve options DN 25 - 32 - 40 - 50.
	DN 150 - 1000	Base.



## BROEN Butterfly valves

BROEN triple eccentric butterfly valves for district heating offer a safe and modern construction for use as a shut-off valve and regulating valve in district heating and district cooling systems, but is also in operation in oil, gas and steam applications.

The triple eccentric butterfly valves have a metal/metal sealing available. This concept means there is no traffic friction during opening and closing of the butterfly valve. The disc loses contact with the seat immediately after the start of opening.

The valve features Class A tightness in both flow directions at a low closing torque and efficient opening at the maximal differential pressure. This secures a long life of the seal.

The safe and robust construction requires minimal service, and any gear or actuators can be changed without operational interruption.

In addition to its shut-off function this valve may be used as a regulating (control) valve. The mechanical worm gearboxes mounted on the butterfly valves are fitted with a disc opening angle indicator.

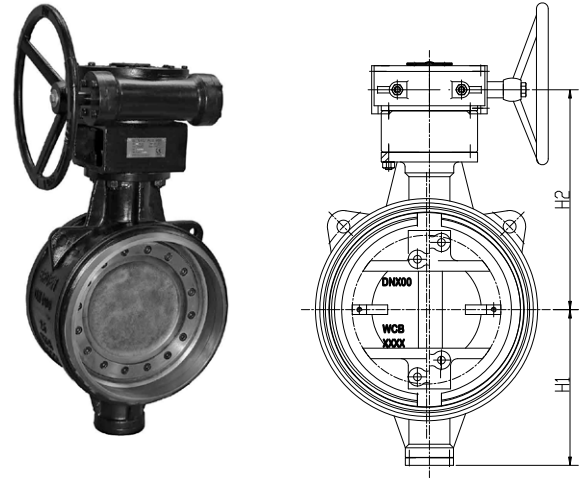


- All CE-marked valves are approved according to PED 2014/68/EU - module H
- Triple eccentric butterfly valve with metal/metal sealing
- Highest Class A tightness - EN 12266
- No periodic service
- Gearbox or actuator can be changed without removing the valve from the pipeline
- Vertical and horizontal installation
- Temperatur -30°C til +425°C

Butterfly valve  
DN 80 - 1000, PN 25

**Type 65102**  
**Welding x Welding**  
**with BROEN-Gear**

Product Sheet No.:

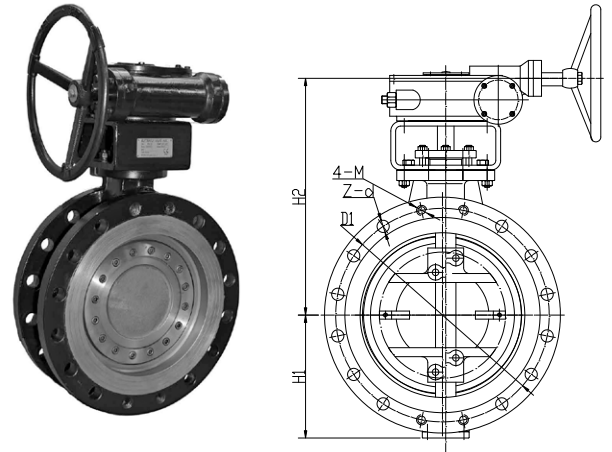


DN	BROEN No.	Bore	Kvs	net Weight kg	All dimensions in mm				ISO
					D1	L	H1	H2	
80	6510225080GBPSS	82	164	12	89	180	85	205	F07
100	6510225100GBPSS	106	250	22	114	190	100	225	F07
125	6510225125GBPSS	132	414	25	140	200	110	276	F10
150	6510225150GBPSS	159	682	32	168	210	180	296	F10
200	6510225200GBPSS	206	1300	55	219	230	220	357	F12
250	6510225250GBPSS	259	2200	66	273	250	240	392	F12
300	6510225300GBPSS	308	3370	95	324	270	270	422	F14
350	6510225350GBPSS	340	4432	150	356	290	305	473	F16
400	6510225400GBPSS	388	6411	180	406	310	335	518	F16
450	6510225450GBPSS	439	8660	250	457	330	365	548	F25
500	6510225500GBPSS	488	10320	400	508	350	400	680	F25
600	6510225600GBPSS	589	16012	640	610	390	485	730	F30
700	6510225700GBPSS	683	25235	820	711	430	530	862	F30
800	6510225800GBPSS	781	31771	1200	813	470	640	972	F35
900	6510225900GBPSS	879	37594	1650	914	510	690	1040	F35
1000	6510225001GBPSS	976	54201	1800	1016	550	760	1135	F40

## Butterfly valve DN 80 - 1000, PN 25

**Type 65103**  
**Flange × Flange**  
**with BROEN-Gear**

Product Sheet No.:

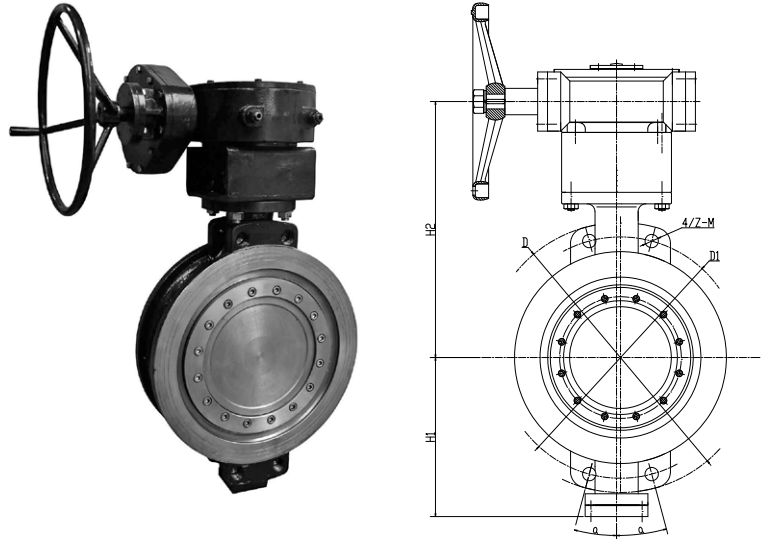


DN	BROEN No.	Bore	Kvs	net Weight kg	All dimensions in mm				ISO
					D	L	H1	H2	
80	6510325080GBPSS	80	164	22	200	114	100	205	F07
100	6510325100GBPSS	105	250	32	235	127	118	225	F07
125	6510325125GBPSS	125	414	39	270	140	135	276	F10
150	6510325150GBPSS	155	682	45	300	140	175	296	F10
200	6510325200GBPSS	205	1300	77	360	152	185	370	F12
250	6510325250GBPSS	255	2200	100	425	165	220	400	F12
300	6510325300GBPSS	305	3370	156	485	178	250	455	F14
350	6510325350GBPSS	355	4432	200	555	190	283	515	F16
400	6510325400GBPSS	405	6411	290	620	216	325	540	F16
450	6510325450GBPSS	455	8660	350	670	222	345	570	F25
500	6510325500GBPSS	505	10320	370	730	229	375	690	F25
600	6510325600GBPSS	605	16012	530	845	267	435	750	F30
700	6510325700GBPSS	705	25235	900	960	292	545	905	F30
800	6510325800GBPSS	805	31771	1100	1085	318	625	975	F35
900	6510325900GBPSS	900	37594	1250	1185	330	645	1020	F35
1000	6510325001GBPSS	1000	54201	1900	1320	410	725	1130	F40

### Butterfly valve DN 80 - 1000, PN 25

**Type 65124**  
**Wafer type**  
**with BROEN-Gear**

Product Sheet No.:

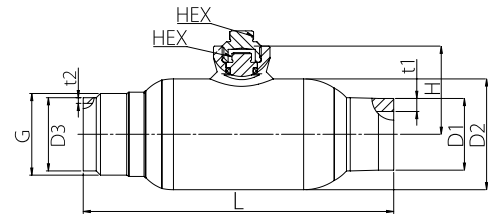


DN	BROEN No.	Bore	Kvs	net Weight kg	All dimensions in mm						ISO
					D	D1	D2	L	H1	H2	
80	6512425080GBPSS	80	164	10	200	160	138	64	100	195	F07
100	6512425100GBPSS	100	250	18	235	190	162	64	110	215	F07
125	6512425125GBPSS	125	414	25	270	220	188	70	135	270	F10
150	6512425150GBPSS	150	682	30	300	250	218	76	175	290	F10
200	6512425200GBPSS	200	1300	38	360	310	278	89	185	330	F12
250	6512425250GBPSS	250	2200	60	425	370	335	114	215	375	F12
300	6512425300GBPSS	300	3370	88	485	430	395	114	250	440	F14
350	6512425350GBPSS	350	4432	140	555	490	450	127	285	455	F16
400	6512425400GBPSS	400	6411	185	620	550	505	140	325	510	F16
450	6512425450GBPSS	450	8660	240	670	600	555	152	345	550	F25
500	6512425500GBPSS	500	10320	295	730	660	615	152	375	635	F25
600	6512425600GBPSS	600	16012	395	845	770	720	178	430	685	F30
700	6512425700GBPSS	700	25235	470	960	875	820	229	540	735	F30
800	6512425800GBPSS	800	31771	710	1085	990	930	241	710	850	F35
900	6512425900GBPSS	900	37594	840	1185	1090	1030	241	650	890	F35
1000	6512425001GBPSS	1000	54201	1200	1320	1210	1140	300	720	920	F40

Hot tap valve  
DN 15 - 100, PN 25

**Type 68602**  
**Full bore**  
**Welding × Welding**

Product Sheet No.: 13.1



					All dimensions in mm								
DN	BROEN No.	Bore	Kvs	net Weight kg	HEX	L	H	t1	t2	D1	D2	D3	G
15	68602015S748000	15	32	0.7	10	130	43.3	5.4	2.0	26.8	42.4	21.3	G7/8"
20	68602020S748100	20	57	1.2	10	143	47.6	6.0	2.3	33.0	51.0	26.9	G1 1/8"
25	68602025S748200	25	81	1.7	10	150	51.3	6.0	2.6	38.0	57.0	33.7	G1 1/2"
32	68602032S748300	32	133	2.5	10	188	61.2	6.9	2.6	47.8	76.1	42.4	G1 3/4"
40	68602040S748400	39	229	4.1	10	230	66.5	7.0	2.6	56.0	88.9	48.3	G2 1/4"
50	68602050S748500	49	295	6.1	13	271	77.0	7.5	2.9	64.0	108.0	60.3	G2 1/4"
65	68602065S748600	63	498	8.1	13	265	87.6	8.0	2.9	80.5	127.0	76.1	M80x3
80	68602080S748700	78	754	12.7	19	284	103.1	9.0	3.2	97.0	152.4	88.9	M95x2
100	68602100S808400	98	1159	17.9	27	367	121.5	9.0	3.6	117.0	177.8	114.3	M120x3

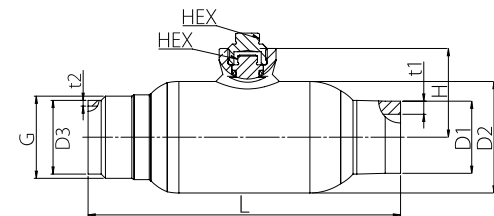
**Remark:** HEX = Hexagon

DN 100 can also be operated with the MP II gearbox using the SW 60 / 90 adapter - part no.: 601571

Hot tap valve  
DN 20 - 100, PN 25

**Type 68102**  
**Reduced bore**  
**Welding × Welding**

Product Sheet No.: 13.1



					All dimensions in mm								
DN	BROEN No.	Bore	Kvs	net Weight kg	HEX	L	H	t1	t2	D1	D2	D3	D4
20	68102020S746900	15	15	0.7	10	130	43.3	5.4	2.3	26.8	42.4	26.9	G7/8"
25	68102025S747000	20	27	1.2	10	143	47.6	6.0	2.6	33.0	51.0	33.7	G1 1/8"
32	68102032S747100	25	40	1.6	10	150	51.3	6.0	2.6	38.0	57.0	42.4	G1 1/2"
40	68102040S747200	32	69	2.5	10	188	61.2	6.9	2.6	47.8	76.1	48.3	G1 3/4"
50	68102050S747300	39	110	3.9	10	230	66.5	7.0	2.9	56.0	88.9	60.3	G2 1/4"
65	68102065S747400	49	180	6.9	13	271	77.0	7.5	2.9	64.0	108.0	76.1	M80x3/M64x2
80	68102080S747500	63	288	8.2	13	260	87.6	8.0	3.2	80.5	127.0	88.9	M95x3/M76x2
100	68102100S747600	78	470	13.3	19	284	103.1	9.0	3.6	97.0	152.4	114.3	M120x3/M95x2

Note: DN 65 to DN 100 have an internal thread for use with tools supplied up to 2022 and an external thread for tools supplied from 2023 onwards.



DN 15 - 50



DN 65 - 100

Hot tap tool  
DN 15 - 50 & DN 65 - 100, PN 25

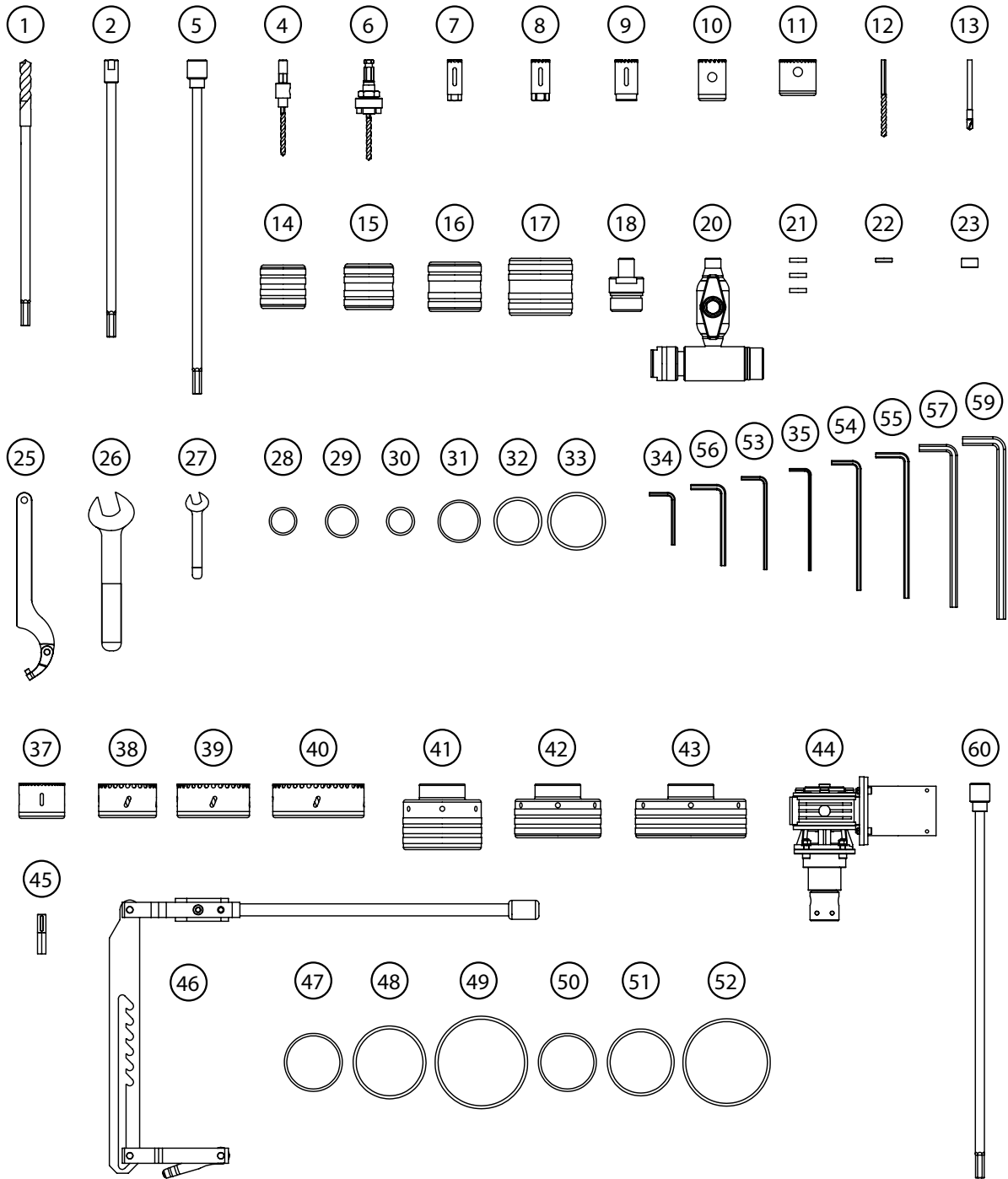
**Type 6850X**  
**Hot tap tool**

Product Sheet No.: 12.1 / 13.1

DN	BROEN No.	Description
15 - 50	68501015 000	Hot tap tool with case DN 15 - 50 FB / RB
65 - 100	68502065 000	Supplementary set DN 65 - 100 FB / RB

Hot tap tool - product overview  
DN 15 - 50 – DN 65 - 100, PN 25

Technical drawing



## Hot tap tool - DN 15 - 50, PN 25

**Type 68 501 015 001 – Full bore & reduced bore**
**Spare parts and consumables for tools delivered from January 2023 onwards**

No.	Description	Material	BROEN No.
1	Spiral drill extended Ø14	Drill extended Ø14 for DN 15FB, DN 20RB	491385
2	Hex hole saw complete DN 15 - 50	Drill extension for hole saw holder 491388 + 491389	491399
4	Holder with thread for hole saws	Ø 19, Ø 24 + Ø 30 mm	491388
5	Drill extension assembled L440	For DN 32FB, DN 40FB/RB, DN 50FB/RB, DN 65FB/RB, DN 80FB/RB, DN 100RB length 440mm	601263
6	Saw holder DN 40 - DN 100	Saw holder for Ø37, Ø48, Ø60, Ø76 + Ø95mm	601264
7	Hole saw dia 19mm max L 59mm	Hole saw for DN 20FB/25RB	100845
8	Hole saw DIA 24mm max L 54mm	Hole saw for DN 20FB/32RB	100846
9	Hole saw DIA 30mm max L 54mm	Hole saw for DN 32FB/40RB	100847
10	Hole saw DIA 37mm max L 54mm	Hole saw for DN 40FB/50RB	100848
11	Hole saw DIA 48mm max L 46mm	Hole saw for DN 50FB/65RB	100940
12	Centre drill Ø6,4mm		100842
13	Centre drill Ø7mm with lock washer	Centre drill Ø7mm with lock washer dedicated to assembly with 601264	601246
14	Adaptor for DN 25	Coupling for DN 20FB/25RB	491380
15	Adaptor for DN 32	Coupling for DN 25FB/32RB	491381
16	Adaptor for DN 40	Coupling for DN 32FB/40RB	491382
17	Adaptor for DN 50	Coupling for DN 40FB/50RB/50FB	491383
18	Test cap		491384
19	Test piece with pressure gauge + air pump	only delivered in Germany	491386
20	Hot tapping tool	Hot tapping tool for all sizes	491375
21	Packing for hottapping unit	Sealing packing for 491375	491379
22	Short bearing for http tool	Sealing packing for 491375	492378
23	Bearing for hot tapping tool	Sealing packing for 491375	491378
	Union nut for hot tapping tool	Nut for 491375	491377
25	Hook spanner 6mm	Wrench for couplings tightennig	100841
26	Flat key M24		300091
27	Flat key M11		300090
28	OR NBR70 031x3,0	Oring for 491375/491384	100824
29	OR NBR70 037,2x3,0	Oring for 491375/491384	100825
30	OR NBR70 039x3,0	Oring for 491380	100820
31	OR NBR70 -40° 050,39x3,53	Oring for 491381	600124
32	OR NBR70 055x4,0	Oring for 491382	100821
33	OR NBR70 068x4,0	Oring for 491383	100822
34	Hexagon key 1/8"	For saw holder 601264	500147
35	Hexagon key 3mm	Hexagon key for 601263 and 601266	601336
	BROEN BALLOMAX® instruction	Hot tapping manual instruction	
	Suitcase including hard foam insert	DN 15 - DN 50 FB + RB	601353H

Note: 601263, 601266 + 601264 can only be used with TÜV A.334.21 tapping unit.

FB = Full bore | RB = Reduced bore

## Hot tap tool - DN 65 - 100, PN 25

**Type 68 503 065 000 – Full bore & reduced bore**
**Spare parts and consumables for tools delivered from January 2023 onwards**

No.	Description	Material	BROEN No.
5	Drill extension assembled L440	For DN 32FB, DN 40FB/RB, DN 50FB/RB, DN 80FB/RB, DN 100RB length 440 mm	601263
60	Drill extension assembled L520	For DN 100FB length 520mm	601266
6	Saw holder DN 40 - DN 100	Saw holder for Ø37, Ø48, Ø60, Ø76 + Ø95mm	601264
37	Hole saw DIA 48mm max L 46mm	Hole saw for DN 50FB/DN 65RB	100940
38	Hole saw DIA 60mm max L 46mm	Hole saw for DN 65FB/DN 80RB	100941
39	Hole saw DIA 76mm max L 46mm	Hole saw for DN 80FB/DN 100RB	100942
40	Hole saw DIA 95mm max L 46mm	Hole saw for DN 100FB	601275
41	DN 65 coupling	Coupling for DN 65FB/RB with thread M80x2 inside	601066
42	DN 80 coupling	Coupling for DN 80FB/RB with thread M95x2 inside	601067
43	DN 100 coupling	Coupling for DN 100FB/RB with thread M120x3 inside	601068
44	Reduction gear DN 65 - 100	Reduction gear for drilling DN 65FB/RB, DN 08DB/RB, DN 100FB/RB VF44	601449
45	Gear reduction stem	Reduction stem for gear	300100
20	Hot tapping tool	Hot tapping tool for all sizes	491375
46	Drilling Holder	Drilling holder for gear	100944
47	OR NBR70 -40° 80,0x4,0	O-ring for coupling 601066	500690
48	OR NBR70 088x4,0	O-ring for coupling 601067	601087
49	OR NBR70 114x4,0	O-ring for coupling 601068	601088
34	Hexagon key 1/8"	For saw holder 601264	500147
56	Hexagon key 3mm	Hexagon key for 601263 and 601266	601336
53	Hexagon key 4mm	For gear assembly	100959
54	Hexagon key 5mm	For gear assembly	100960
55	Hexagon key 6mm	For gear assembly	100961
25	Hook Spaner 6mm	Wrench for couplings tightennig	100841
	BROEN BALLOMAX® instruction	Hot tapping manual instruction	
	Suitcase including hard foam insert - VF 44	DN 65 - DN 100 FB + RB	601450H

Note: 601263, 601266 + 601264 can only be used with TÜV A.334.21 tapping unit

FB = Full bore | RB = Reduced bore

## Hot tap tool - DN 15 - 50, PN 25

**Type 68 501 015 001 – Full bore & reduced bore**  
**Spare parts and consumables for tools delivered by December 2022**

No.	Description	Material	BROEN No.
1	Spiral drill extended Ø14	Drill extended Ø14 for DN 15FB, DN 20RB	491385
2	Hex hole saw complete DN 15 - 50	Drill extension for hole saw holder 491388+491389	491399
4	Drill holder	Drill holder for Ø19, Ø24 + Ø30mm	491388
6	Holder with thread hole saw for 491399	Tool for drilling Ø37, Ø48, Ø60 + Ø76mm	491389
7	Hole saw dia 19mm max L 59mm	Hole saw for DN 20FB/25RB	100845
8	Hole saw DIA 24mm max L 54mm	Hole saw for DN 20FB/32RB	100846
9	Hole saw DIA 30mm max L 54mm	Hole saw for DN 32FB/40RB	100847
10	Hole saw DIA 37mm max L 54mm	Hole saw for DN 40FB/50RB	100848
12	Centre drill Ø6,4mm		100842
13	Centre drill Ø7mm with lock washer	Centre drill Ø7mm with lock washer dedicated to assembly with 601264	601246
14	Coupling for DN 25	Coupling for DN 20FB/25RB	491380
15	Coupling for DN 32	Coupling for DN 25FB/32RB	491381
16	Coupling for DN 40	Coupling for DN 32FB/40RB	491382
17	Coupling for DN 50	Coupling for DN 40FB/50RB/50FB	491383
18	Test cap		491384
19	Test piece with pressure gauge + air pump	only delivered in Germany	491386
20	Hot tapping tool	Hot tapping tool for all sizes	491375
21	Packing for hottapping unit	Sealing packing for 491375	491379
23	Bearing for hot tapping tool	Sealing packing for 491375	491378
22	Short bearing for http tool	Sealing packing for 491375	492378
	Union nut for hot tapping tool	Nut for 491375	491377
25	Hook spanner 6mm	Wrench for couplings tightennig	100841
26	Flat key M24		300091
27	Flat key M11		300090
28	OR NBR70 031x3,0	Oring for 491375/491384	100824
29	OR NBR70 037,2x3,0	Oring for 491375/491384	100825
30	OR NBR70 039x3,0	Oring for 491380	100820
31	OR NBR70 -40° 050,39x3,53	Oring for 491381	600124
32	OR NBR70 055x4,0	Oring for 491382	100821
33	OR NBR70 068x4,0	Oring for 491383	100822
34	Hexagon key 1/8"	For saw holder 601264	500147

FB = Full bore | RB = Reduced bore

## Hot tap tool - DN 65 - 100, PN 25

**Type 68 503 065 000 – Reduced bore**
**Spare parts and consumables for tools delivered by December 2022**

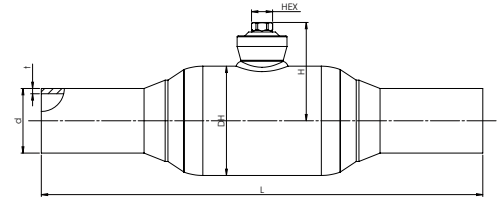
No.	Description	Material	BROEN No.
2	Drill rod with thread for hole saw holder	Length approx. 430 mm reduced to DN 80	497399
6	Holder with thread hole saw for 491399	Tool for drilling Ø37, Ø48, Ø60 + Ø76mm	491389
5	Boring bar for hole saw holder 491389 with triangle	Length approx. 440 mm up to DN 80	491394
37	Hole saw DIA 48mm max L 46mm	Hole saw for DN 50FB/DN 65RB	100940
38	Hole saw DIA 60mm max L 46mm	Hole saw for DN 65FB/DN 80RB	100941
39	Hole saw DIA 76mm max L 46mm	Hole saw for DN 80FB/DN 100RB	100942
	Adapter for DN 65 RB	To 12/2022	497380
	Adapter for DN 80 RB	To 12/2022	498380
	Adapter for DN 100 RB	To 12/2022	499380
44	BROEN Reduction gearbox VF 30 - 7:1	Hexagonal holder for boring bars	100943*
44	BROEN Reduction gearbox VF 44 - 7:1 ab 01/2024	Hexagonal holder for boring bars	601449
45	Adapter for gearbox - drilling machine		300100
20	Drilling unit   Hot tapping tool	Labelling	491375
46	Drill stand	With handle	100944
50	O-Ring Ø 70 × 4 mm to 11/2022	for adapter 497380 - DN 65 RB	100802
51	O-Ring Ø 80 × 4 mm to 11/2022	or adapter 498380 - DN 80 RB	500689
52	O-Ring Ø 107 × 4 mm to 11/2022	for adapter 499380 - DN 100 RB	500799
34	Hexagon key 1/8"	For saw holder	500147
53	Hexagon key 4 mm	For gear assembly	100959
54	Hexagon key 5 mm	For gear assembly	100960
55	Hexagon key 6 mm	For gear assembly	100961

FB = Full bore | RB = Reduced bore

Branching valve  
DN 15 - 50, PN 40

**Type 63102**  
**Reduced bore**  
**Welding x Welding**

Product Sheet No.: 15.1

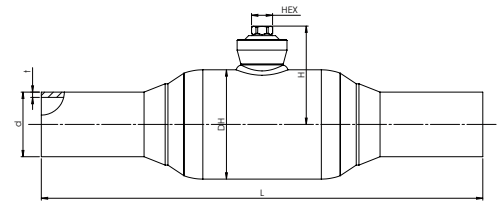


DN	BROEN No.	Bore	Kvs	net Weight kg	All dimensions in mm					
					HEX	H	DH	L	d	t
20	6310240020 000	15	15	0.6	10	43.3	42.4	230	26.9	2.3
25	6310240025 000	20	27	1.2	10	47.6	51.0	230	33.7	2.6
32	6310240032 000	25	40	1.7	10	51.3	57.0	260	42.4	2.6
40	6310240040 000	32	69	2.4	10	61.2	76.1	260	48.3	2.6
50	6310240050 000	40	110	3.4	10	66.5	88.9	300	60.3	2.9

Branching valve  
DN 65 - 100, PN 25

**Type 63102**  
**Reduced bore**  
**Welding x Welding**

Product Sheet No.: 15.1

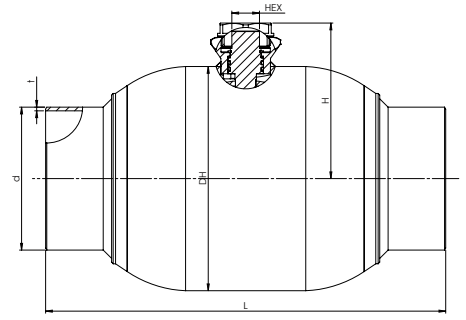


DN	BROEN No.	Bore	Kvs	net Weight kg	All dimensions in mm					
					HEX	H	DH	L	d	t
65	6310225065 000	50	180	5.3	13	77.0	108.0	360	76.1	2.9
80	6310225080 000	65	288	7.3	13	87.6	127.0	370	88.9	3.2
100	6310225100 000	80	470	11.3	19	105.9	152.4	390	114.3	3.6

Branching valve  
DN 125 - 200, PN 25

**Type 63102**  
**Reduced bore**  
**Welding x Welding**

Product Sheet No.: 15.1

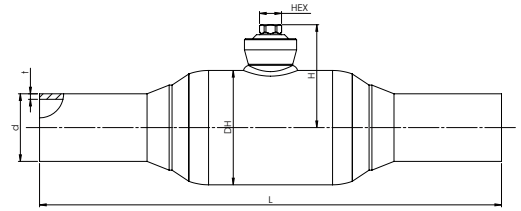


					All dimensions in mm						
DN	BROEN No.	Boring	Kvs	net Weight kg	HEX	6-kt.	H	DH	L	d	t
125	6310225125 000	100	699	14.3	27	120.0	121.5	178.0	390	139.7	3.6
150	6310225150 000	125	1046	20.4	27	149.0	149.0	219.0	390	168.3	4.0
200	6310225200 000	150	1500	33.3	27	165.9	165.9	267.0	390	219.1	4.5

DN 125 - DN 200 can also be operated with the MP II gearbox using the SW 60 / 90 adapter - part no.: 601571

Branching valve  
DN 15 - 50, PN 40

Type 63602  
Full bore  
Welding x Welding

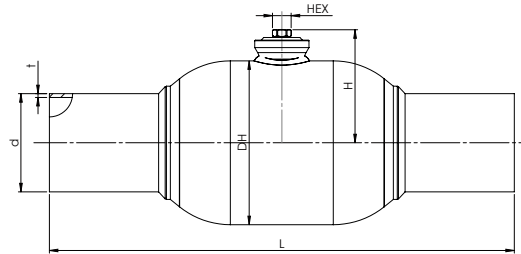


Product Sheet No.: 14.1

DN	BROEN No.	Bore	Kvs	net Weight kg	All dimensions in mm					
					HEX	H	DH	L	d	t
15	6360240015 000	15	32	0.6	10	43.3	42.4	210	21.3	2.0
20	6360240020 000	20	57	1.2	10	46.6	51.0	230	26.9	2.3
25	6360240025 000	25	81	1.7	10	51.3	57.0	230	33.7	2.6
32	6360240032 000	32	133	2.4	10	61.2	76.1	260	42.4	2.6
40	6360240040 000	40	229	3.1	10	66.5	88.9	260	48.3	2.6
50	6360240050 000	50	295	5.4	13	77.0	108.0	300	60.3	2.9

Branching valve  
DN 65 - 100, PN 25

Type 63602  
Full bore  
Welding x Welding



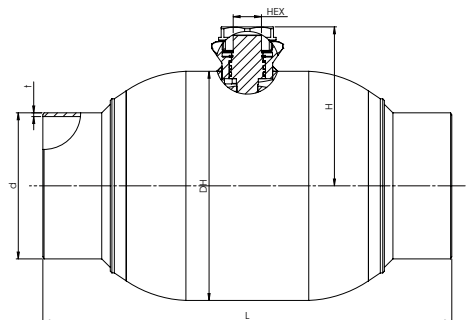
Product Sheet No.: 14.1

DN	BROEN No.	Bore	Kvs	net Weight kg	All dimensions in mm					
					HEX	H	DH	L	d	t
65	6360225065 000	65	498	7.1	13	87.6	127.0	360	76.1	2.9
80	6360225080 000	80	754	12.1	19	105.9	152.4	370	88.9	3.2
100	6360225100 000	98	1159	17.4	19	120.0	177.8	390	114.3	3.6

DN 100 - DN 150 can also be operated with the MP II gearbox using the SW 60 / 90 adapter - part no.: 601571

Branching valve  
DN 125 - 150, PN 25

Type 63602  
Full bore  
Welding x Welding



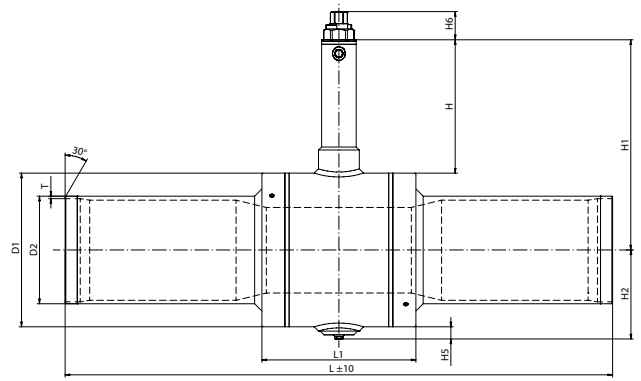
Product Sheet No.: 14.1

DN	BROEN No.	Bore	Kvs	net Weight kg	All dimensions in mm					
					HEX	H	DH	L	d	t
125	6360225125 000	125	1841	22.6	27	152.0	219	390	139.7	3.6
150	6360225150 000	150	2652	28.4	27	165.9	267	390	168.3	4.0

DN 100 - DN 150 can also be operated with the MP II gearbox using the SW 60 / 90 adapter - part no.: 601571

Trunnion mounted steel ball valve  
DN 150 - 500, PN 25

Type  
**Reduced bore**  
Welding × Welding  
HEX



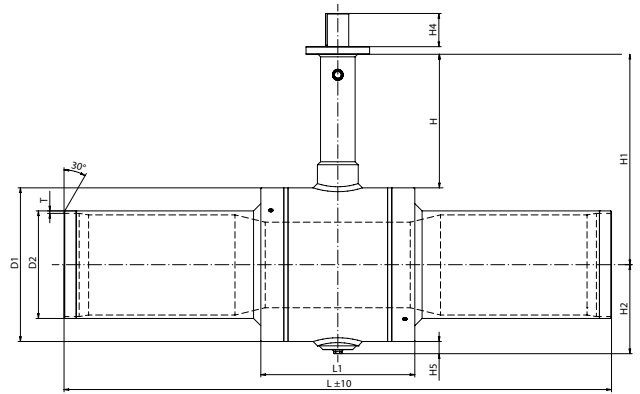
DN	BROEN No.	Bore	Kvs	net Weight kg
150		126.0	2208	76
200		152.0	2495	157
250		201.5	4275	251
300		253.0	6680	375
350		304.0	9982	560
400		336.0	13586	695
500		386.0	18469	1238

DN	All dimensions in mm										
	L	L1	D1	D2	T	H	H1	H2	H5	H6	HEX
150	1510	244	220.0	168.3	4.0	315	425	154	44	63	27/70
200	1510	351	273.0	218.1	4.5	329	465	187	50	63	27/70
250	1510	373	355.6	273.0	5.0	318	496	212	34	63	27/70
300	1810	451	406.4	323.9	5.6	451	655	254	51	93	50/90
350	1810	509	508.0	355.6	5.6	441	696	294	40	93	50/90
400	1810	536	558.0	406.4	6.3	438	717	317	38	93	50/90
500	1810	698	660.4	508.0	6.3	364	694	405	75	93	50/90

**Notice:** The illustrated ball valve is not insulated, which is necessary for underground installaion.

Trunnion mounted steel ball valve  
 DN 150 - 1000, PN 25

**Type**  
**Reduced bore**  
**Welding × Welding**  
**ISO-flange**



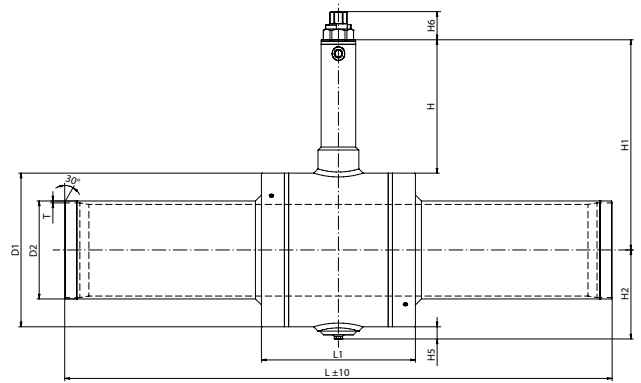
DN	BROEN No.	Bore	Kvs	net Weight kg
150		126.0	2208	76
200		152.0	2495	114
250		201.5	4275	255
300		253.0	6680	382
350		304.0	9982	567
400		336.0	13586	703
500		386.0	18469	1258
600		488.0	28858	2103
700		588.0	41555	3423
800		684.0	56561	5150
900		780.0	73874	6600
1000		874.0	93497	7348

DN	All dimensions in mm										
	L	L1	D1	D2	T	H	H1	H2	H4	H5	ISO
150	1510	244	220.0	168.3	4.0	340	450	154	61	44	F14
200	1510	351	273.0	218.1	4.5	314	450	187	61	50	F14
250	1510	373	355.6	273.0	5.0	334	512	212	61	34	F14
300	1810	451	406.4	323.9	5.6	452	655	254	110	51	F16
350	1810	509	508.0	355.6	5.6	442	696	294	110	40	F16
400	1810	536	558.0	406.4	6.3	439	718	316	110	38	F16
500	1810	698	660.4	508.0	6.3	364	695	405	111	75	F25
600	2200	750	813.0	610.0	7.1	500	907	480	111	74	F25
700	2500	890	988.0	711.0	8.0	550	1044	575	130	81	F30
800	2500	1078	1126.0	813.0	8.8	600	1163	693	203	130	F35
900	2500	1184	1281.0	914.0	10.0	600	1241	779	203	115	F35
1000	2500	1274	1432.0	1016.0	11.0	600	1316	859	242	134	F40

**Notice:** The illustrated ball valve is not insulated, which is necessary for underground installaion.

Trunnion mounted steel ball valve  
DN 150 - 400, PN 25

Type  
**Full bore**  
Welding x Welding  
HEX



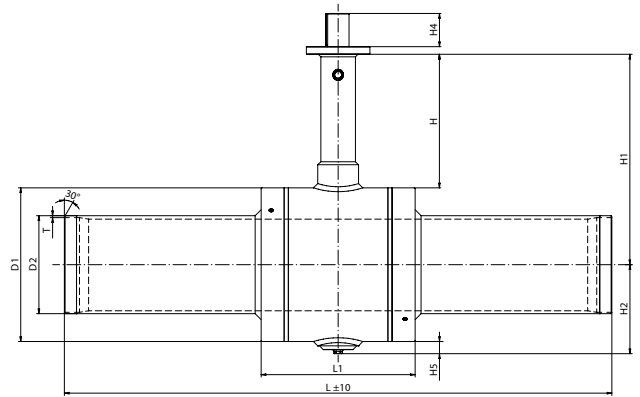
DN	BROEN No.	Bore	Kvs	net Weight kg
150		152.0	4223	113
200		201.5	7264	221
250		253.0	12804	341
300		304.0	21346	552
350		336.0	26976	661
400		386.0	34414	1131

DN	All dimensions in mm										
	L	L1	D1	D2	T	H	H1	H2	H5	H6	HEX
150	1510	278	273.0	168.3	4.0	332	450	187	50	63	27/70
200	1510	351	355.6	219.1	4.5	318	496	212	34	63	27/70
250	1810	447	406.4	273.0	5.0	451	655	254	51	93	50/90
300	1810	509	508.0	323.9	5.6	441	696	294	40	93	50/90
350	1810	536	558.0	355.6	5.6	438	717	317	38	93	50/90
400	1810	670	660.4	406.4	6.3	364	694	405	75	93	50/90

**Notice:** The illustrated ball valve is not insulated, which is necessary for underground installaion.

Trunnion mounted steel ball valve  
 DN 150 - 1000, PN 25

**Type**  
**Full bore**  
**Welding × Welding**  
**ISO-flange**



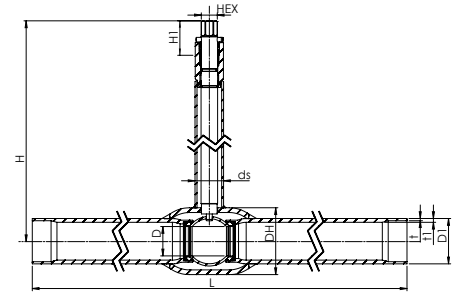
DN	BROEN No.	Bore	Kvs	net Weight kg
150		152.0	4223	119
200		201.5	7264	224
250		253.0	12804	349
300		304.0	21346	560
350		336.0	26976	669
400		386.0	34414	1150
500		488.0	55005	1977
600		588.0	97806	3172
700		684.0	132349	4902
800		780.0	172535	5950
900		874.0	218364	8390
1000		976.0	269586	11940

DN	All dimensions in mm										
	L	L1	D1	D2	T	H	H1	H2	H4	H5	ISO
150	1510	278	273.0	168.3	4.0	345	482	187	61	51	F14
200	1510	351	355.6	219.1	4.5	334	512	211	61	33	F14
250	1810	447	406.4	273.0	5.0	452	655	254	110	51	F16
300	1810	509	508.0	323.9	5.6	442	696	294	110	40	F16
350	1810	536	558.0	355.6	5.6	439	718	316	110	38	F16
400	1810	670	660.4	406.4	6.3	364	695	405	111	75	F25
500	2200	758	813.0	508.0	6.3	500	907	480	111	74	F25
600	2200	890	988.0	610.0	7.1	550	1044	575	130	81	F30
700	2500	1058	1126.0	711.0	8.0	600	1163	693	203	130	F35
800	2500	1124	1281.0	813.0	8.8	600	1241	779	203	115	F35
900	2500	1214	1432.0	914.0	10.0	600	1316	859	242	134	F40
1000	2500	1346	1640.0	1016.0	11.0	600	1420	959	242	134	F40

**Notice:** The illustrated ball valve is not insulated, which is necessary for underground installaion.

Ball valve for pre-insulation  
DN 25 - 100, PN 25

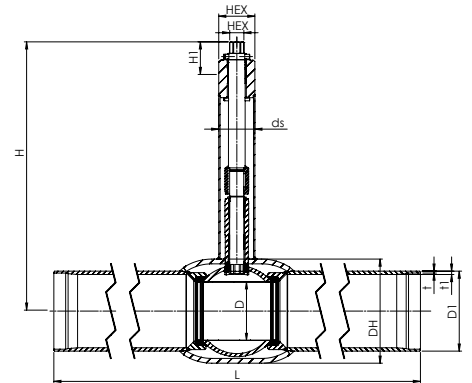
Type 67102  
Reduced bore  
Welding x Welding



DN	BROEN No.	Bore	Kvs	net Weight kg	All dimensions in mm										
					D	L	H	H1	D1	t	t1	DH	tH	ds	HEX
25	67102025S696800	20	27	5.6	20	1510	480	30	33.7	2.6	4.0	51	5.0	38	19
32	67102032S696900	25	40	6.7	25	1510	485	30	42.4	2.6	4.0	57	5.6	38	19
40	67102040S697000	32	69	12.7	32	1510	495	30	48.3	2.6	5.6	76	5.6	38	19
50	67102050S697100	40	110	14.3	39	1510	500	30	60.3	2.9	5.0	89	6.3	38	19
65	67102065S697200	50	180	19.0	49	1510	504	30	76.1	2.9	5.0	108	6.3	38	19
80	67102080S604000	65	288	25.5	63	1510	515	30	88.9	3.2	5.6	127	7.1	38	19
100	67102100S604100	80	470	37.0	78	1510	525	35	114.3	3.6	6.3	152	8.0	57	27/70

Ball valve for pre-insulation  
DN 125 - 400, PN 25

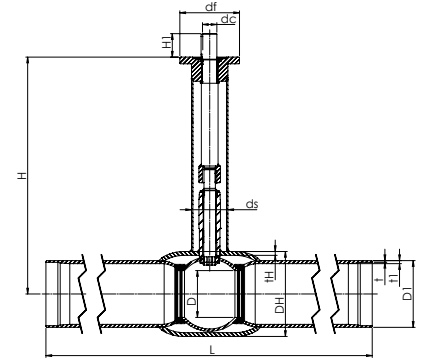
Type 67102 / 87042  
Reduced bore  
Welding x Welding



DN	BROEN No.	Bore	Kvs	net Weight kg	All dimensions in mm										
					D	L	H	H1	D1	t	t1	DH	tH	ds	HEX
125	67102125S604200	100	699	45.0	98	1510	545	63	139.7	3.6	6.3	178	8.0	76	27/70
150	67102150S604300	125	1046	65.0	122	1510	565	63	168.3	4.0	7.1	219	8.0	76	27/70
200	67102200S604400	150	1500	99.0	146	1510	585	87	219.1	4.5	8.0	267	8.8	76	50/90
250	8704225250 070	200	5300	133.2	195	1510	613	96	273.0	5.0	8.0	356	8.8	108	50/90
300	8704225300 070	250	8200	215.3	245	1810	664	96	323.9	5.6	8.0	457	10.0	108	50/90
350	8704225350 070	250	8900	222.7	245	1810	664	96	355.6	5.6	8.0	457	10.0	108	50/90
400	8704225400 070	300	13700	333.7	305	1810	793	96	406.4	6.3	10.0	508	12.5	133	50/90

Ball valve for pre-insulation  
DN 125 - 500, PN 25

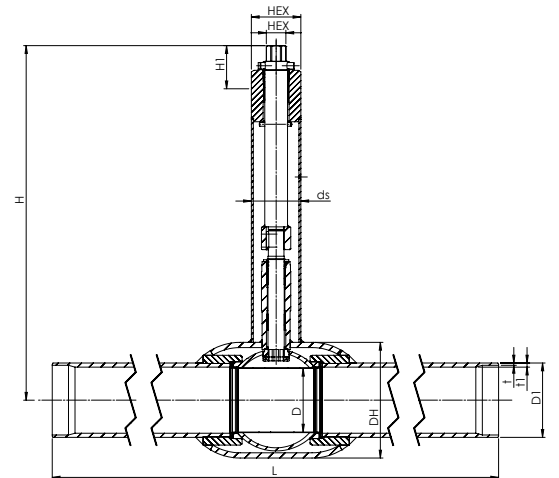
**Type 67102 / 87042**  
**Reduced bore**  
**Welding × Welding**  
**with ISO flange for gear mounting**



					All dimensions in mm													
DN	BROEN No.	Bore	Kvs	net Weight kg	D	L	H	H1	D1	t	t1	DH	tH	ds	dc	df	ISO	
125	67102125S707200	100	699	45.0	98	1510	545	49	139.7	3.6	6.3	178	8.0	76	30	125	F10	
150	67102150S707300	125	1046	62.5	122	1510	477	49	168.3	4.0	7.1	219	8.0	76	30	125	F10	
200	67102200S707400	150	1500	99.0	146	1510	500	60	219.1	4.5	8.0	267	8.8	76	30	150	F12	
250	8704225250 300	200	5300	140.9	195	1510	557	67	273.0	5.0	8.0	356	8.8	108	45	175	F14	
300	8704225300 300	250	8200	219.4	245	1810	592	85	323.9	5.6	8.0	457	10.0	108	50	210	F16	
350	8704225350 300	250	8900	226.7	245	1810	592	85	355.6	5.6	8.0	457	10.0	108	50	210	F16	
400	8704225400 300	300	13700	328.7	305	1810	580	100	406.4	6.3	10.0	508	12.5	133	60	210	F16	
500	8704225500 300	400	20300	433.2	380	1123	705	123	508.0	6.3	11.0	660	12.5	219	80	350	F30	

Ball valve for pre-insulation  
DN 25 - 150, PN 25

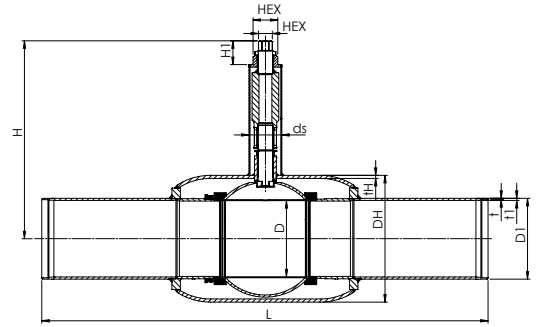
**Type 97102**  
**Reduced bore**  
**Welding × Welding**



					All dimensions in mm											
DN	BROEN No.	Bore	Kvs	net Weight kg	D	L	H	H1	D1	t	t1	DH	tH	ds	HEX	
25	9710225025 000	20	27	7.7	25	1510	485	30	33.7	2.6	4.0	57.0	5.6	38.0	19	
32	9710225032 000	25	40	9.4	32	1510	495	30	42.4	2.6	4.0	76.1	5.6	38.0	19	
40	9710225040 000	32	69	12.0	39	1510	500	30	48.3	2.6	5.6	88.9	6.3	38.0	19	
50	9710225050 000	40	110	17.6	49	1510	504	30	60.3	2.9	5.6	108.0	6.3	38.0	19	
65	9710225065 000	50	180	21.6	63	1510	515	30	76.1	2.9	5.6	127.0	7.1	38.0	19	
80	9710225080 000	65	288	26.6	78	1510	525	35	88.9	3.2	5.6	152.4	8.0	57.0	27/70	
100	9710225100 000	80	470	44.6	98	1510	545	38	114.3	3.6	6.3	177.8	8.0	76.1	27/70	
125	9710225125 000	100	699	70.1	122	1510	565	38	139.7	3.6	6.3	219.1	8.0	76.1	27/70	
150	9710225150 000	125	1046	78.7	146	1510	585	63	168.3	4.0	7.1	267.0	8.8	76.1	50/90	

Ball valve for pre-insulation  
DN 200 - 300, PN 25

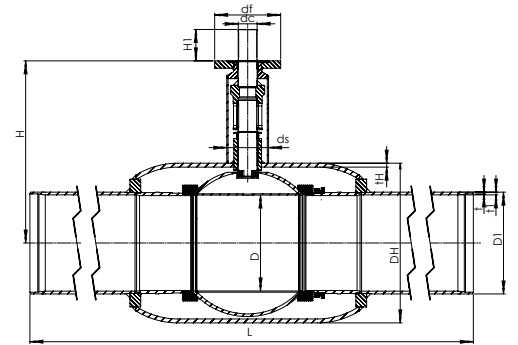
Type 88242  
Full bore  
Welding × Welding



DN	BROEN No.	Bore	Kvs	net Weight kg	All dimensions in mm										
					D	L	H	H1	D1	t	t1	DH	tH	ds	HEX
200	8824225200 070	200	9200	133.5	200	1510	613	85	219.1	4.5	8.0	355.6	8.8	102	50/90
250	8824225250 070	250	13500	195.5	250	1510	664	85	273.0	5.0	8.0	457.0	10.0	102	50/90
300	8824225300 070	300	21600	324.7	305	1810	793	96	323.9	5.6	8.0	508.0	12.5	133	50/90

Ball valve for pre-insulation  
DN 125 - 300, PN 25

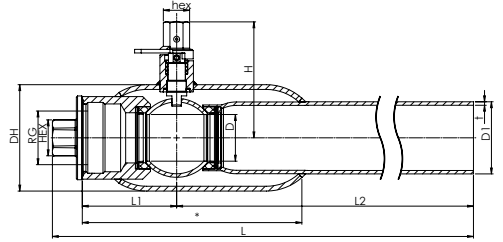
Type 97102 / 88...  
Full bore  
Welding × Welding  
with ISO flange for gear mounting



DN	BROEN No.	Bore	Kvs	net Weight kg	All dimensions in mm												ISO
					D	L	H	H1	D1	t	t1	DH	tH	ds	dc	df	
125	9710225125S3426	125	1841	69.7	122	1510	526.0	49.5	139.7	3.6	6.3	219.1	8.0	76.1	30	125	F10
150	9710225150S3427	150	2652	79.5	146	1510	500.0	60.0	168.3	4.0	7.1	267.0	8.8	76.1	30	150	F12
200	8824225200 300	200	9200	136.8	200	1510	580.0	34.0	219.1	5.0	8.0	355.6	8.8	102.0	HX50	175	F14
250	8824225250 300	250	13500	201.2	250	1510	631.0	33.0	273.0	5.0	8.8	457.0	10.0	102.0	HX50	210	F16
300	8804225300 300	300	21600	325.0	305	1810	769.0	99.0	323.9	5.6	8.8	508.0	12.5	133.0	60	210	F16

Service ball valve  
DN 25 - 50, PN 25

Type 60101  
Reduced bore  
Female x Welding

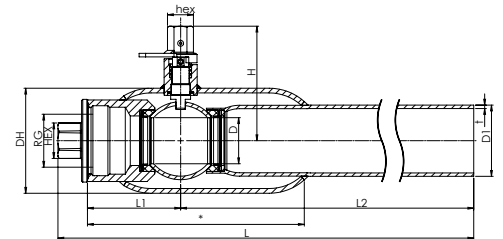


			All dimensions in mm								
DN	BROEN No.	net Weight kg	D	L	L1	L2	DH	D1	t	RG	H
25	60101025S141800	1.4	20	345	45.0	275.0	51.0	33.7	2.6	1"	73
32	60101032S141900	2.3	25	345	52.5	267.5	57.0	42.4	2.6	1¼"	77
40	60101040S092900	2.5	32	345	60.0	260.0	76.1	48.3	2.6	1½"	90
50	60101050S093000	3.5	39	362	72.5	264.5	88.9	60.3	2.9	2"	97

Service valve, valve body in stainless steel, AISI 304 (EN 1.4301), welding end steel P235GH.

Service ball valve  
DN 25 | 50 | 80, PN 25

Type 60101  
Reduced bore  
Female x Welding

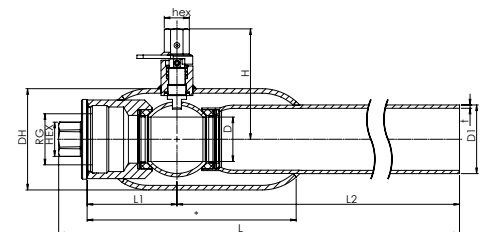


			All dimensions in mm								
DN	BROEN No.	net Weight kg	D	L	L1	L2	DH	D1	t	RG	H
25	60101025S338300	1.8	20	363	62.0	275	51.0	33.7	2.6	1"	73
50	60101050S338400	5.2	39	368	62.6	264	88.9	60.3	2.9	2"	97
80	60101080S319600	5.5	63	387	106.1	350	133.0	88.9	3.2	3"	145

Service valve, valve body in stainless steel, AISI 316 Ti (EN 1.4571), welding end steel P235GH, glass bead blasted.

Service ball valve  
DN 25 | 50 | 80 | 100, PN 25

Type 60101  
Reduced bore  
Female x Welding

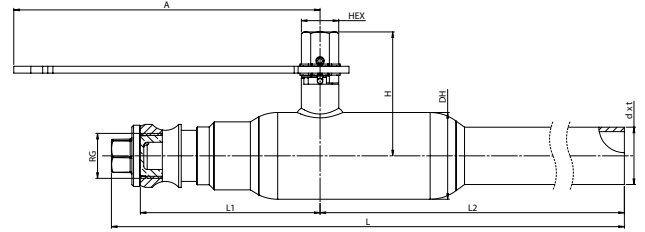


			All dimensions in mm								
DN	BROEN No.	net Weight kg	D	L	L1	L2	DH	D1	t	RG	H
25	60101025S384000	3.2	20	1025	62.6	937	51.0	33.7	2.6	1"	73
50	60101050S384100	7.8	39	1025	78.8	921	88.9	60.3	2.9	2"	97
80	60101080S384200	9.2	63	1031	106.1	894	133.0	88.9	3.2	3"	145
100	60101100S790000	20.3	78	1000	265.0	735	159.0	114.3	3.6	3"	150

Service valve, valve body in stainless steel, AISI 316 Ti (EN 1.4571), welding end steel P235GH, glass bead blasted. **Length 1000 mm.**

Service ball valve  
DN 25 | 50, PN 25

Type 60101  
Reduced bore  
Kamlock xWelding

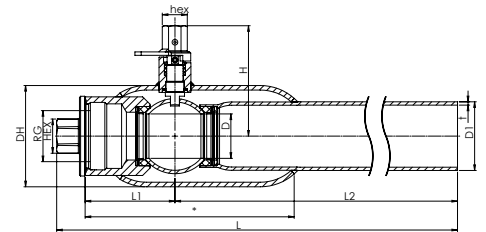


			All dimensions in mm									
DN	BROEN No.	net Weight kg	D	L	L1	L2	DH	D1	t	RG	H	A
25	60101025S690800	3.4	20	1060	106	937	51.0	33.7	2.6	3/4"	73	180
50	60101050S399200	8.4	40	1081	138	921	88.9	60.3	2.9	1½"	97	180

Service valve, valve body in stainless steel, AISI 316 Ti (EN 1.4571), welding end steel P235GH, glass bead blasted. **Lenght 1000 mm.**

Service ball valve  
DN 25 | 50 | 80, PN 25

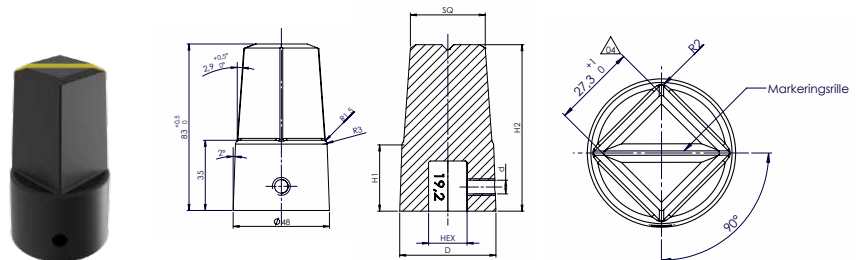
Type 60101  
Full bore  
Female x Welding



			All dimensions in mm									
DN	BROEN No.	net Weight kg	D	L	L1	L2	DH	D1	t	RG	H	
25	60101025S750800	2.9	25	495	53	442	57	33.7	2.6	1"	77.0	
50	60101050S335100	7.0	49	495	95	400	108	60.3	2.9	2"	135.5	
80	60101080S766500	21.0	78	1000	133	867	159	88.9	3.6	3"	150.0	

Service valve, valve body in stainless steel, AISI 316 Ti (EN 1.4571), welding end steel P235GH, glass bead blasted.

SQ adapter



All dimensions in mm						
BROEN No.	H1	H2	SQ	HEX	D	d
1897S02	35	83	27	19	48	M8
1903S02	35	83	27	27	48	M8

SQ adapter are used for underground valves in accordance with EN 488.

Flex extension  
DN 20 - 150

Type 660...



DN		BROEN No.	Length - mm	Nv
Full bore	Reduced bore			
25 - 65	20 - 80	66062020S314200	500	19
25 - 65	20 - 80	66062020S205900	1000	19
25 - 65	20 - 80	66062020S306800	2000	19
80 - 125	100 - 150	66062100S314300	500	27
80 - 125	100 - 150	66062100S206000	1000	27
80 - 125	100 - 150	66062100S306700	2000	27

Flex extender - Steel + PVC protection tube. All flex extenders can be shortened when needed.

Flex extension  
DN 80 - 400

Type 660...



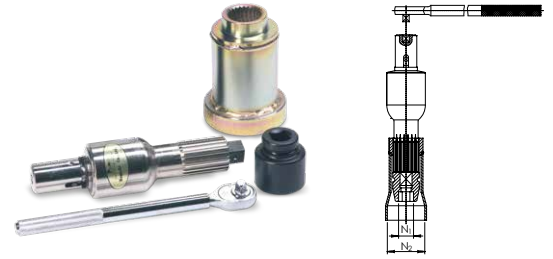
DN		BROEN No.	Length - mm	Nv
Full bore	Reduced bore			
80 - 125	100 - 150	66062150S314000	500	27/70
80 - 125	100 - 150	66062150250	1000	27/70
80 - 125	100 - 150	66062150260	2000	27/70
150 - 300*	200 - 400*	66062250S314100	500	50/90
150 - 300*	200 - 400*	66062250250	1000	50/90
150 - 300*	200 - 400*	66062250260	2000	50/90

Flexible extension with stainless steel control shaft and galvanised steel protective tube. All spindle extensions can be shortened. Please observe our operating instructions. **\*From DN 250 full bore and DN 300 reduced bore, a reinforcement ring must be used.**

**Art. 600730 - Net price EURO 100.00.**

BROEN-Gear  
Portable gear  
DN 80 - 350

Type 66361



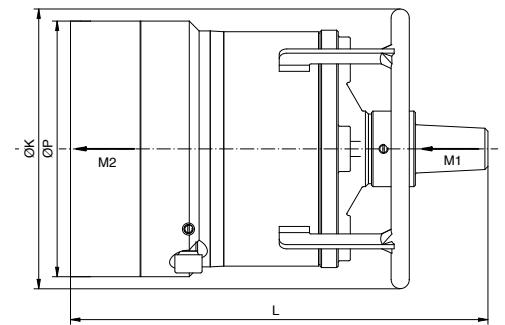
DN		Type	BROEN No.	N1	N2	Max. moment Nm
Full bore	Reduced bore					
80 - 125	100 - 150	MP II	66361100 060	27	70	3500
150 - 250	200 - 350	MP II	66361250 070	50	90	3500
150 - 250	200 - 350	MP III	66361400 080	50	90	6000

BROEN Portable gear. Can also be used with a flex extender with steel protective pipe.

Accessories for MP II gear NV 50/90: Adapter NV 70, Art. No. 210778, including ratchet head NV 27, Art. No. 100470

BROEN-Gear  
Planetary gear  
DN 80 - 400

Type 500... / PO27...



DN		BROEN No.	All dimensions in mm					Square
Full bore	Reduced bore		M1	M2	L	ØK	ØP	
80 - 125	100 - 150	3/PP04001K	50	1000	267	185	169	27/32
150 - 250	200 - 350	3/PP06001KS02	100	2000	276	185	169	27/32
300 - 350	400	3/PP05002KS02	200	6000	331	258	198	27/32

BROEN Planetary gear. Can also be used with a flex extender with stainless steel protective pipe. \* Operated with square key.

Universal allen key  
for both isolating and service valves

Type 372...



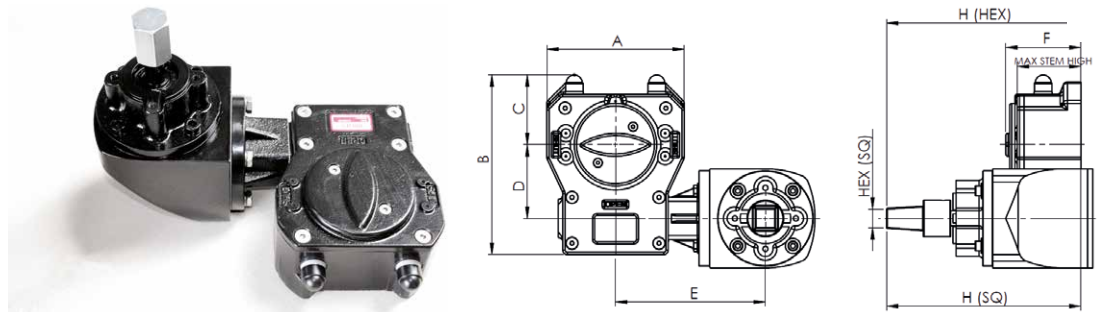
BROEN No.

3723S60

**BROEN-Gear  
Bevel gear  
DN 150 - 500**

**Type 500... / 400...**

Product Sheet No.:

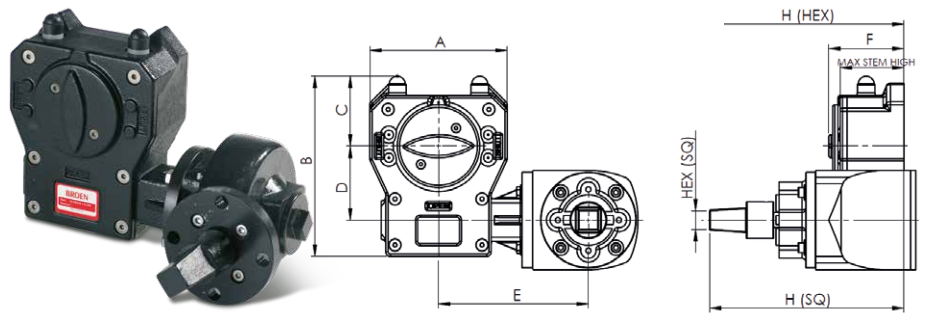


DN		BROEN No.	net Weight kg	All dimensions in mm						H (HEX)	HEX	ISO
Full bore	Reduced bore			A	B	C	D	E	F			
150	200	600591	13.0	138	205	100	71	171	88	217	36	F12
200	250	600592	17.0	200	242	116	86	181	93	219	36	F14
250	300	600593	26.0	220	270	122	105	197	102	225	36	F16
-	350	600593	26.0	220	270	122	105	197	102	225	36	F16
300	400	600594	43.0	285	323	143	130	336	123	323	36	F16
400	500	600595	68.2	370	408	170	182	388	139	236	36	F30

Only for use on valves with ISO flange. NOTE: These gearboxes do NOT fit on Trunnion

**BROEN-Gear  
Bevel gear  
DN 150 - 500**

**Type 500...**

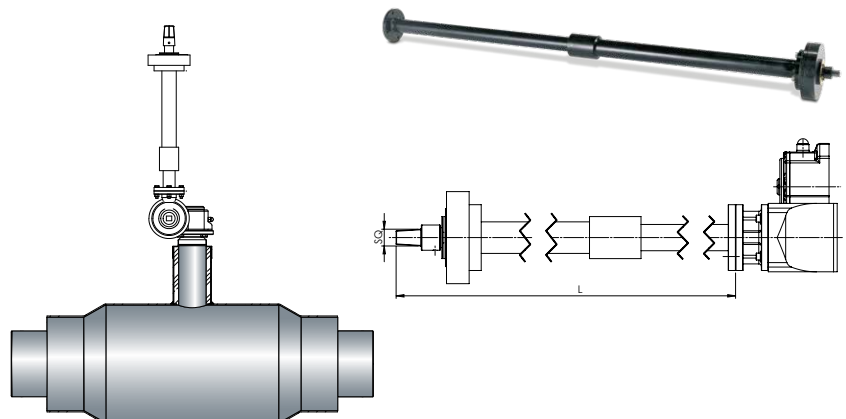


DN		BROEN No.	net Weight kg	All dimensions in mm						H (SQ)	SQ	ISO
Full bore	Reduced bore			A	B	C	D	E	F			
150	200	600651	13.0	138	205	100	71	171	88	214.5	27/32	F12
200	250	600652	17.0	200	242	116	86	181	93	214.5	27/32	F14
250	300	600653	26.0	220	270	122	105	197	102	214.5	27/32	F16
-	350	600653	26.0	220	270	122	105	197	102	214.5	27/32	F16
300	400	600654	49.5	285	323	143	130	336	123	214.5	27/32	F16
400	500	600655	68.2	370	408	170	182	388	139	214.5	27/32	F30

Only for use on valves with ISO flange.

**Telescopic extension for Bevel gear  
DN 200 - 500**

Contact BROEN for more information



**BROEN BALLOMAX® Repair set**  
DN 20 - 200

Type 600...



DN - Hexagon with fixed support		BROEN No.
Full bore	Reduced bore	
25 - 65	20 - 80	600262
80	100	600263
100 - 125	125 - 150	600264
150	200	600269

Reserve box, contains gasket set for stem and tool for replacement.

**BROEN BALLOMAX® Repair set**  
DN 150 - 500

Type 600...



DN - ISO-flange		BROEN No.
Full bore	Reduced bore	
150	200	600266
200 - 250	250 - 300	600265
300	400	600267
400	500	600268

Reserve box, contains gasket set for stem and tool for replacement.

Ever since BROEN was established  
our passion for valve technology has been  
a major part of our core competences.

Our brand is our promise.

## 1. Application of terms of sale and delivery

1.1 The below general terms of sale and delivery shall apply for any quotation, order confirmation, sale and delivery by BROEN in the absence of any other agreement in writing between the parties.

## 2. Product information, price lists, etc.

2.1 Information in catalogues, price lists and any other product documentation provided by BROEN shall be binding on BROEN only where the agreement with the purchaser makes specific reference to such information. BROEN shall reserve the right to change information without notice.

2.2 All drawings and technical descriptions supplied to the purchaser shall remain the property of BROEN and may be used only for the operation and maintenance of the products supplied by BROEN. The material may not be copied, reproduced, passed on to or in any other way communicated to any unauthorized third party.

## 3. Prices and terms of delivery

3.1 Unless otherwise stated all prices in BROEN's quotations, order confirmations and other references are in Danish kroner (DKK) exclusive of VAT, customs duties, taxes, etc. Unless otherwise stated in the above material BROEN shall reserve the right to adjust prices until delivery in the event of changes in currency rates, customs duties, taxes or raw material prices.

3.2 Unless special terms of delivery have been agreed upon in writing, delivery shall be made in conformity with the Incoterms 2010, EXW. The prices stated by BROEN are in conformity with these terms of delivery.

3.3 The prices stated by BROEN are exclusive of the costs of packaging, including special packaging to ensure that the products are not exposed to damage in transit to the final destination. Unless otherwise agreed in writing, Euro pallets and pallet frames used will be invoiced the Purchaser. Return of Euro pallets and frames is not accepted.

3.4 For orders below Euro 300 net invoice value, or equivalent converted currency value, a handling fee of Euro 30 net, or equivalent converted currency value, applies.

## 4. Export

4.1 Unless otherwise agreed in writing it shall solely be the responsibility of the purchaser to ensure that the products sold can be legally applied in the purchaser's country and for the purposes intended, including their approval, if any, by public authorities or private persons for importation and application.

4.2 Unless otherwise agreed in writing, all costs of Irrevocable Letters of Credit (L/C) and costs of external produced verification documentation is to be carried by the purchaser.

## 5. Acceptance of quotations

5.1 Where BROEN makes a quotation that contains no stipulated date of acceptance, the quotation shall lapse in the event it is not accepted by the purchaser 30 days after the date of the quotation.

## 6. Time of delivery

6.1 Unless otherwise stated in writing in BROEN's quotation or order confirmation or in the agreement between the parties the time of delivery indicated by BROEN shall be indicated to the best of BROEN's judgment. In the event that the date of delivery is exceeded, the purchaser can by notification in writing to BROEN demand delivery and set a reasonable date not less than three weeks away. In the event that BROEN does not deliver within this extended period and where the non-delivery is not caused by circumstances attributable to the purchaser, the purchaser can by written notification to BROEN cancel the agreement with regard to the part consignment that has not been delivered. The purchaser shall not be entitled to make any claim vis-à-vis BROEN as a consequence of the delay.

6.2 In the event of strikes, lockouts, import restrictions, acts of God or other causes beyond BROEN's control, BROEN's time of delivery shall be extended by a period identical to the duration of the obstacle in question. Non-delivery or delayed delivery of raw materials from BROEN's sub-suppliers shall be considered acts of God and shall thus extend BROEN's time of delivery. In the event that the obstacle means that delivery cannot be effected or only at unreasonably high costs, BROEN shall retain the right to cancel the agreement.

## 7. Terms of payment

7.1 Provided credit is approved, BROEN's terms of payment are current month from the date of invoice plus 20 days.

7.2 In the event of payment after the due date BROEN shall be entitled to charge interest on overdue payments, at present 1% per month, to be calculated from the due date. In addition to this there will be an administration fee for reminders of minimum Euro 30 net, or equivalent converted currency value (or the maximum amount allowed by law at any time).

7.3 Payment can only be effected to BROEN's address unless stated otherwise on the invoice.

7.4 The purchaser shall not be entitled to off-set any claim he may have against BROEN (unless this claim has been accepted by BROEN in writing) and shall not be entitled to retain part of the purchase amount on account of such counterclaims.

## 8. Retention of ownership

8.1 BROEN shall retain ownership of the products sold until payment in full has been effected with the addition of interest and possible costs. The purchaser shall not be entitled to make arrangements that limit BROEN's retention of ownership.

## 9. Invoicing

9.1 BROEN will issue and forward invoices electronically. In the event of purchaser requirement for printed and posted invoicing, a handling and postal fee of Euro 2 net, or equivalent converted currency value, applies.

**10. Liability for defects and product liability**

- 10.1 Immediately after delivery the purchaser shall examine the products received. Defects that are found or should have been found during this examination or defects that are found later shall without delay and not later than seven days after the defect is found or should have been found be communicated in writing to BROEN. The purchaser shall under no circumstances be entitled to claim compensation for defects from BROEN later than one year after the date of delivery.
- 10.2 BROEN shall be entitled to decide whether the defects can be repaired or the defective products must be replaced. Such replacement and/or repair of defects will be made as soon as possible after the return of the product to BROEN.
- 10.3 The purchaser shall only be entitled to return sellable standard products and only following prior acceptance in writing from BROEN. BROEN reserves the right to refuse return of products at BROEN's sole discretion. The freight costs of the returned products shall be paid by the purchaser. The reimbursement for returned products shall be calculated on the basis of the original sales price with a deduction reflecting the costs of preparing the products for a new sale. This deduction will be fixed after the receipt of the products and after an assessment of the state of the products, the deduction will, however, amount to minimum 30% of the sales price.
- 10.4 Apart from the stipulations of clause 10.1/10.2 the purchaser shall not be entitled to make any claims to BROEN on account of defective products.
- 10.5 BROEN shall be liable for injuries to persons and damage to property as a result of defects in the products supplied (product liability) solely to the extent laid down in non-dispensable rules of law. BROEN shall not be liable for damage to the purchaser's real or personal property or to any other real or personal property belonging to a third party intended for commercial use.
- 10.6 Particularly for brass products it must be emphasized that BROEN shall not be liable for damage to the products or damage attributable to the products as a result of stress corrosion, dezincification and galvanic corrosion unless BROEN has in writing taken on such liability. In the event that BROEN has taken on such liability these general terms of sale and delivery shall apply with the exception of this clause.

**11. Exemption from liability**

- 11.1 BROEN shall be exempt from liability to the purchaser in the event of circumstances that prevent the fulfilment of the agreement or that make the fulfilment unreasonably burdensome, such as labour conflicts and any other circumstances beyond the control of BROEN, e.g. fire, war, mobilisation or similar military measures, seizures, currency restrictions, riots and civil unrest, lack of means of transportation, general scarcity of goods, restrictions regarding motive power as well as defective or delayed deliveries from sub-suppliers due to any of the circumstances mentioned in this clause.
- 11.2 BROEN shall under no circumstances be liable for trading losses, losses of profit or other indirect losses or other consequential losses, including the costs of establishing or localizing defective products or damage.

**12. Settlement of disputes - venue**

- 12.1 Any dispute between BROEN and the purchaser in relation to an agreement between the parties or in relation to the interpretation of these general terms of sale and delivery shall be settled in accordance with Danish law and at BROEN's venue. BROEN shall be entitled to demand that any dispute is settled by arbitration in accordance with the rules and stipulations of the Danish Institute of Arbitration (Det Danske Voldgiftsinstitut).

*Our brand is our promise*

**BROEN**  
VALVE TECHNOLOGIES

## **BROEN Valve Technologies**

BROEN is a leading international manufacturer of valve technology and we operate on three continents across the world with key markets in Europe, China and USA.

For more than 75 years BROEN has been the global leader in the development and production of valve technology for the control of water, air and gas. BROEN delivers complete solutions for HVAC building installations and is a leading supplier of district energy valves and valve technology for natural gas.

We know application and valve technology in depth and in close dialogue with our customers and partners all over the world we create value and reliability with proven valves offering full quality assurance.

Read more at: [www.broen.com](http://www.broen.com)

### **Sales- and productions sites ●**

BROEN A/S, Assens (DK)  
BROEN POLAND, Dzierżoniów (PL)  
BROEN POLAND, Rogoźno (PL)  
BROEN INC., Houston (US)  
BROEN Clorius, Dzierżoniów (PL)

### **Sales companies and offices ○**

BROEN Assens (DK)  
BROEN Helsinki (FI)  
BROEN SEI, Bucharest (RO)  
BROEN Beijing (CN)  
BROEN Clorius, Shanghai (CN)

